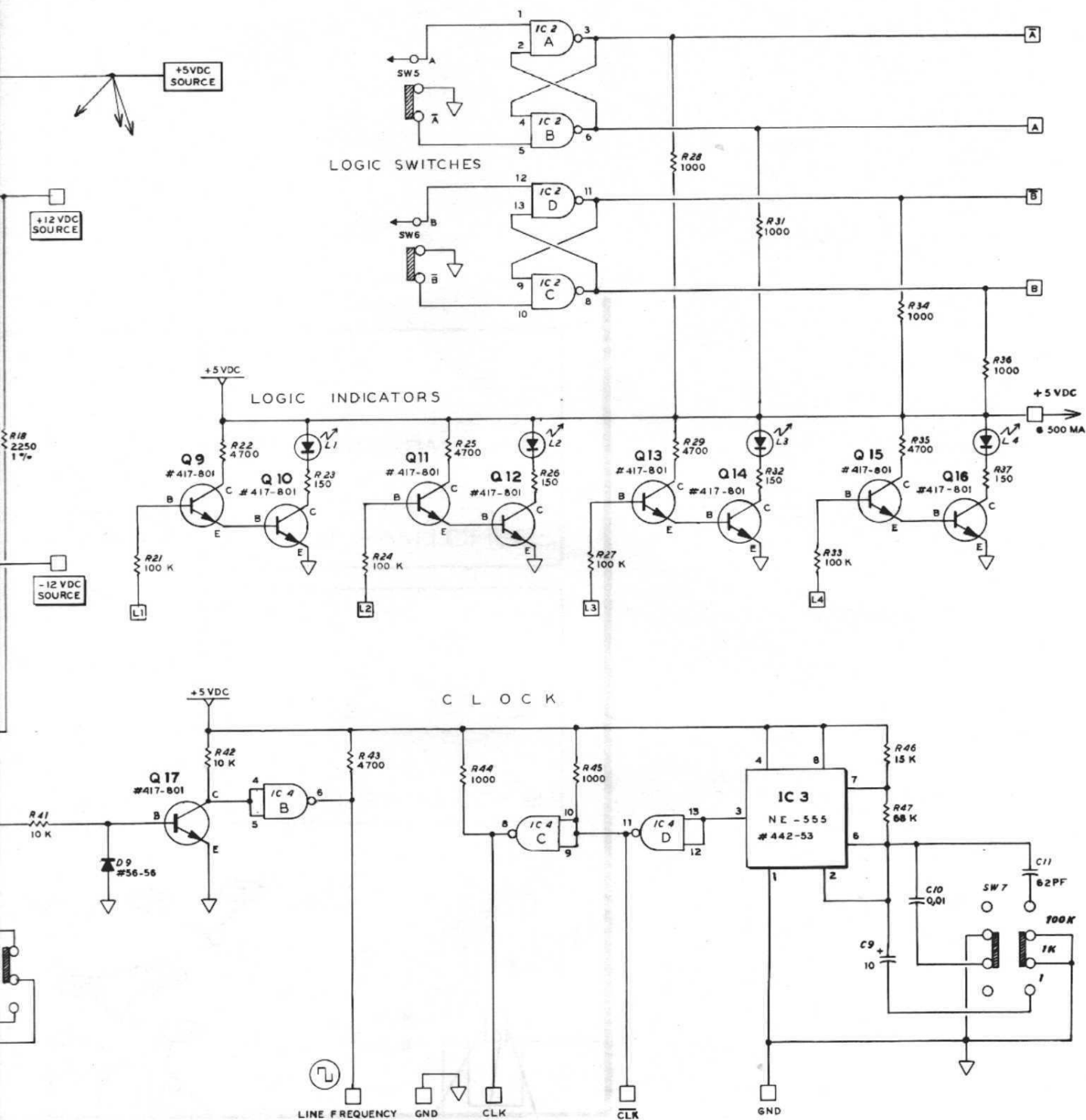


**SCHEMATIC OF THE  
HEATHKIT®**

**DIGITAL DESIGN EXPERIMENTER**

**MODEL ET-3200**

1. ALL RESISTOR VALUES ARE IN OHMS: K=1000
2. ALL RESISTORS ARE 1/2 WATT, 10% UNLESS INDICATED.
3. ALL CAPACITOR VALUES ARE IN  $\mu$ F UNLESS INDICATED.






**NOTES:**

IN OHMS: K=1000.

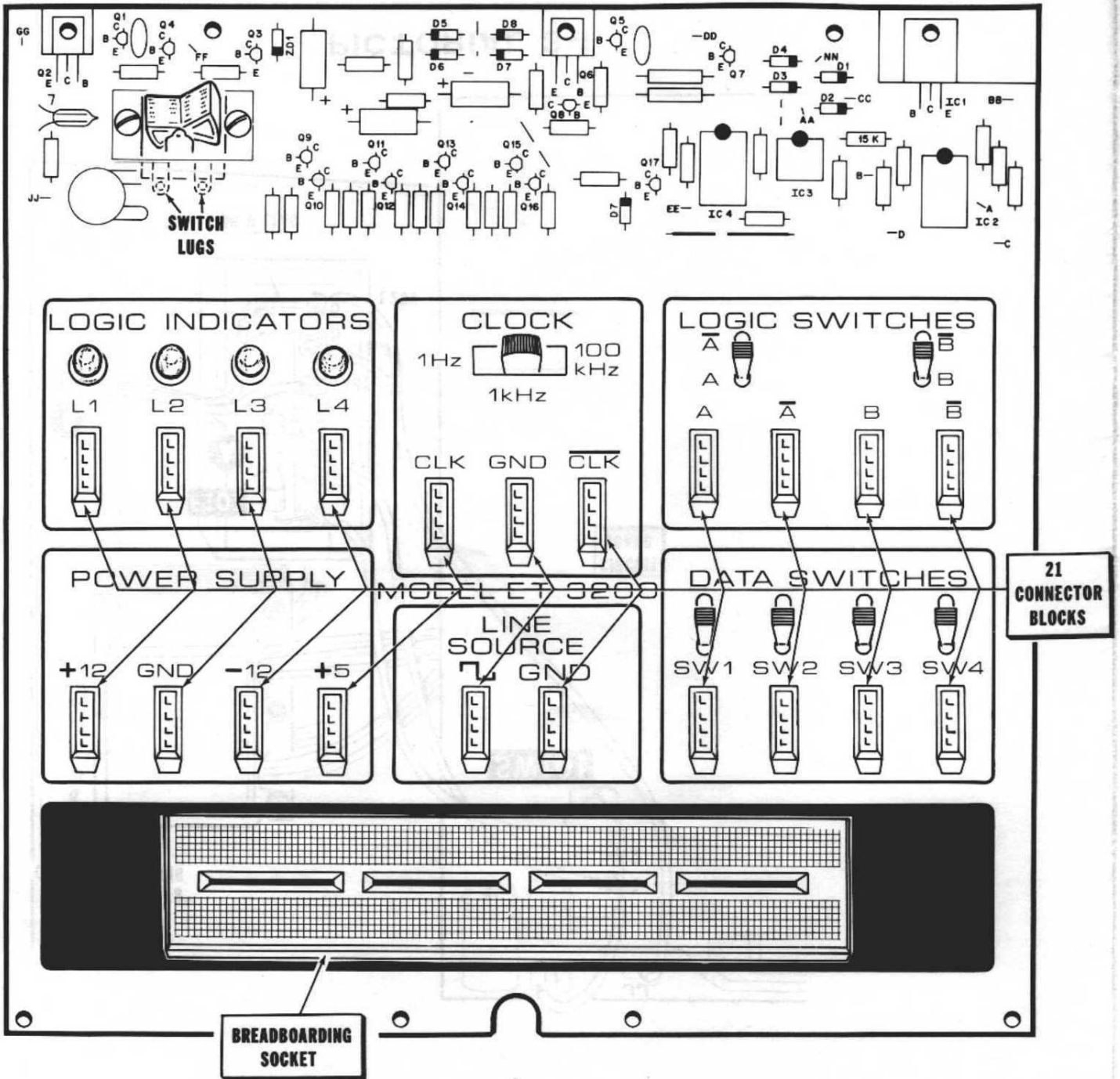
TT, 10% UNLESS OTHERWISE

E IN  $\mu$ F UNLESS OTHERWISE

4.  THIS SYMBOL INDICATES CIRCUIT GROUND.
5.  THIS SYMBOL INDICATES A DC VOLTAGE MEASURED WITH A HIGH IMPEDANCE VOLTMETER FROM THE POINT INDICATED TO CIRCUIT GROUND.
6. \* THESE VOLTAGES WILL VARY WITH THE LOAD.

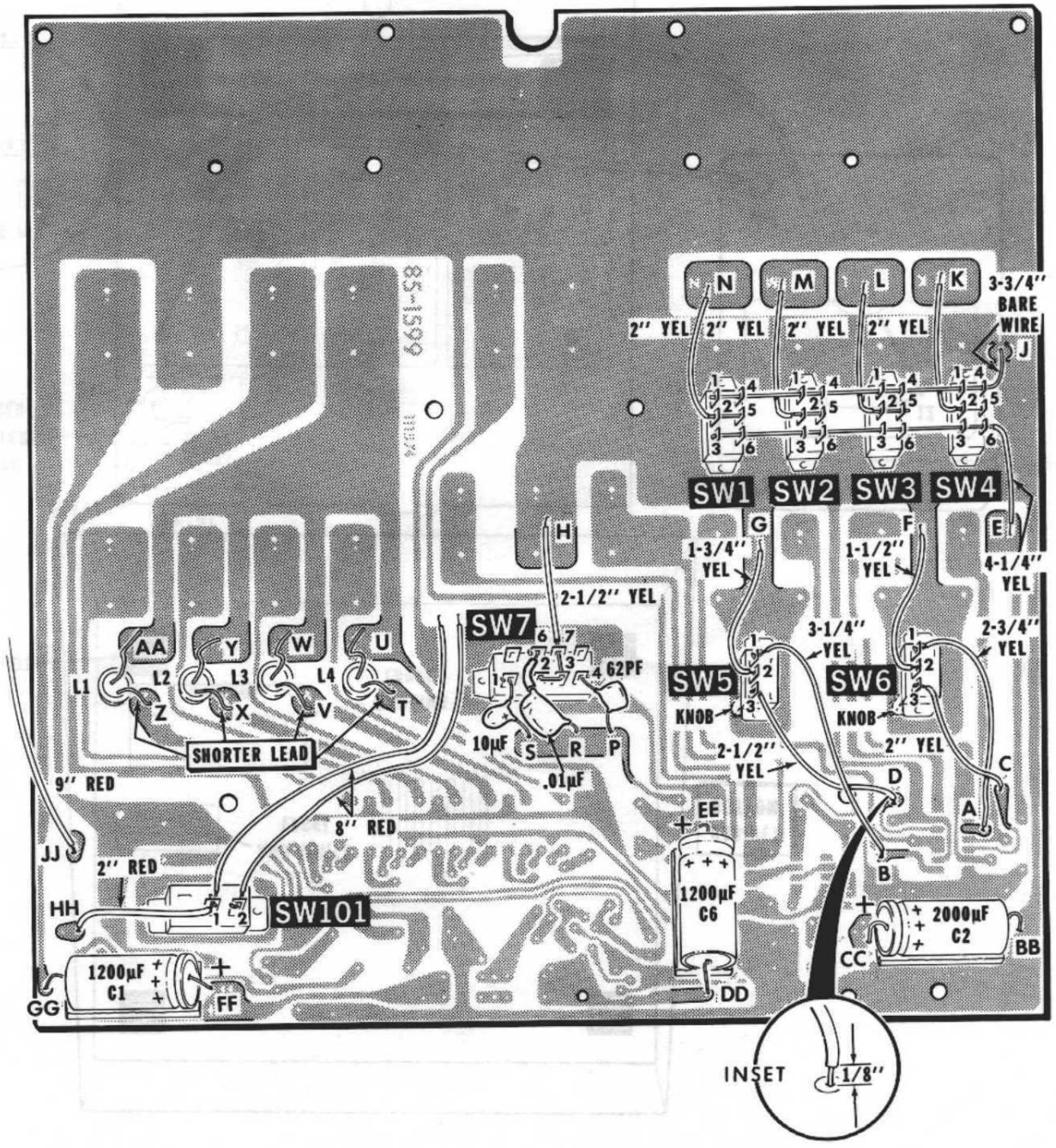
Copyright © 1975  
Heath Company  
All rights reserved

# ILLUSTRATI



PICTORIAL 2-1

# RATION BOOKLET



ECTOR  
CKS

PICTORIAL 2-2

MODEL ET-3200

Copyright © 1976  
Heath Company  
All Rights Reserved