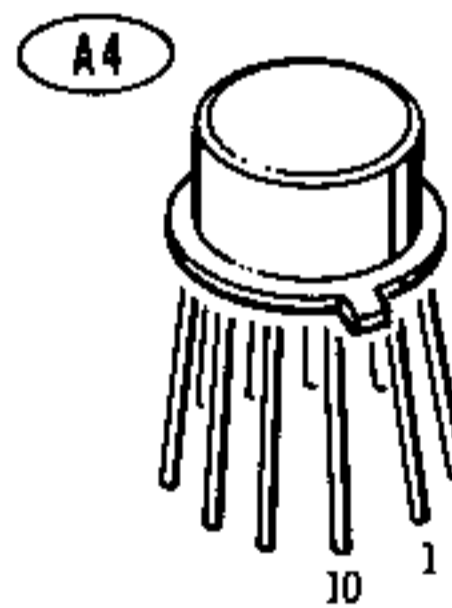
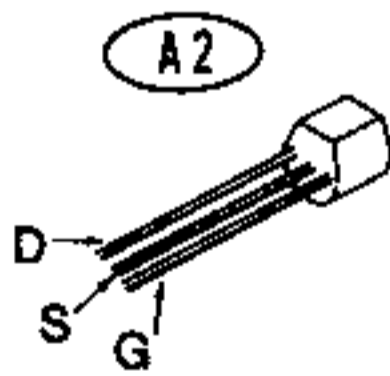
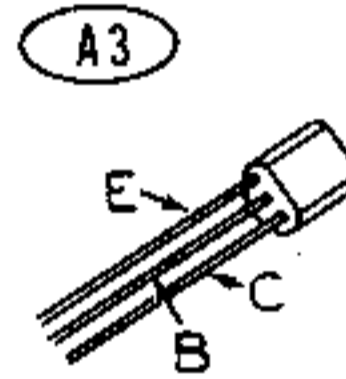
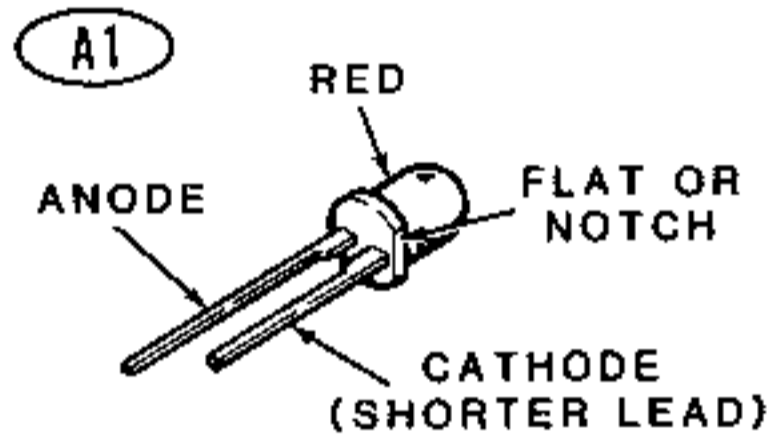
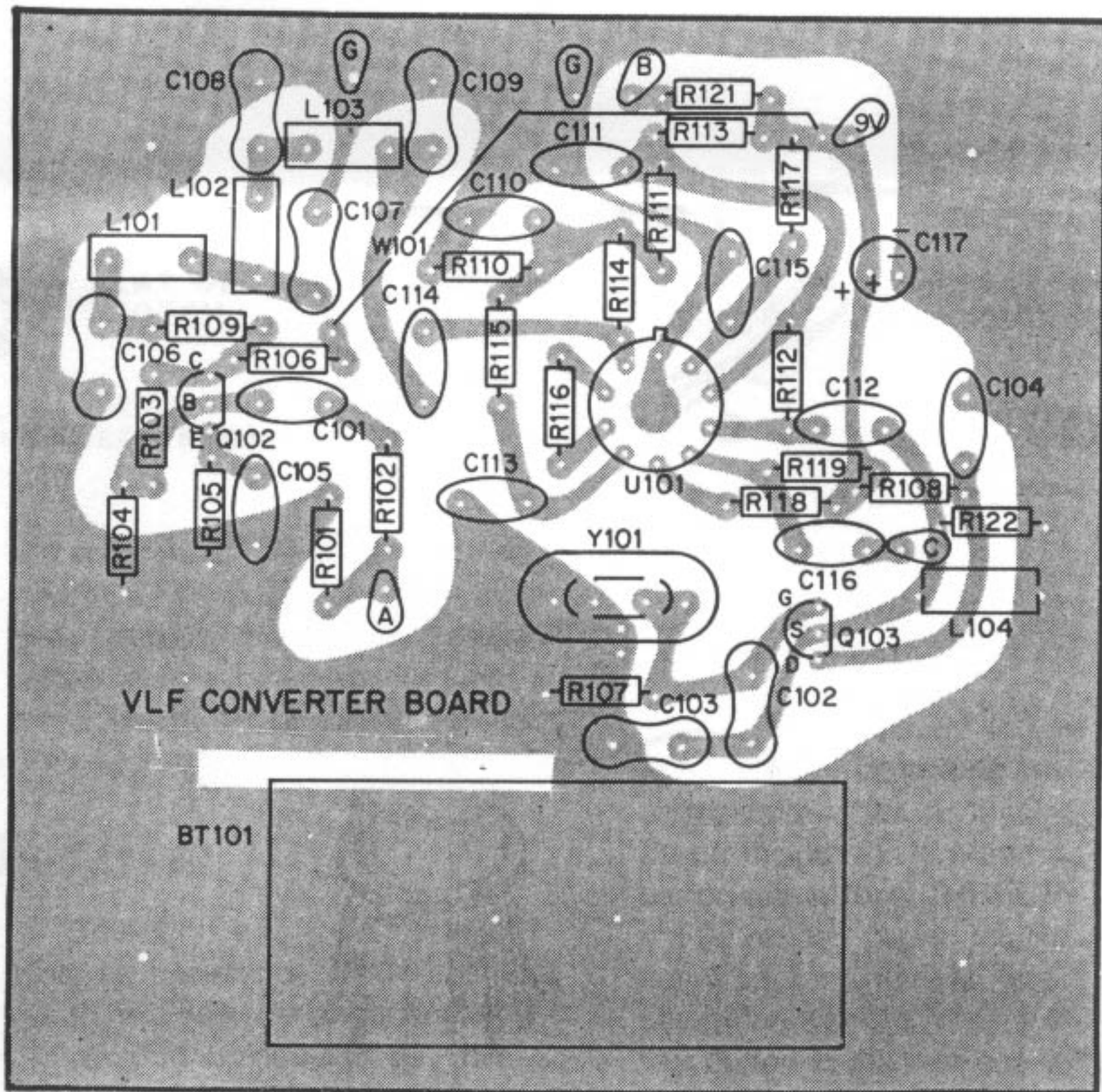


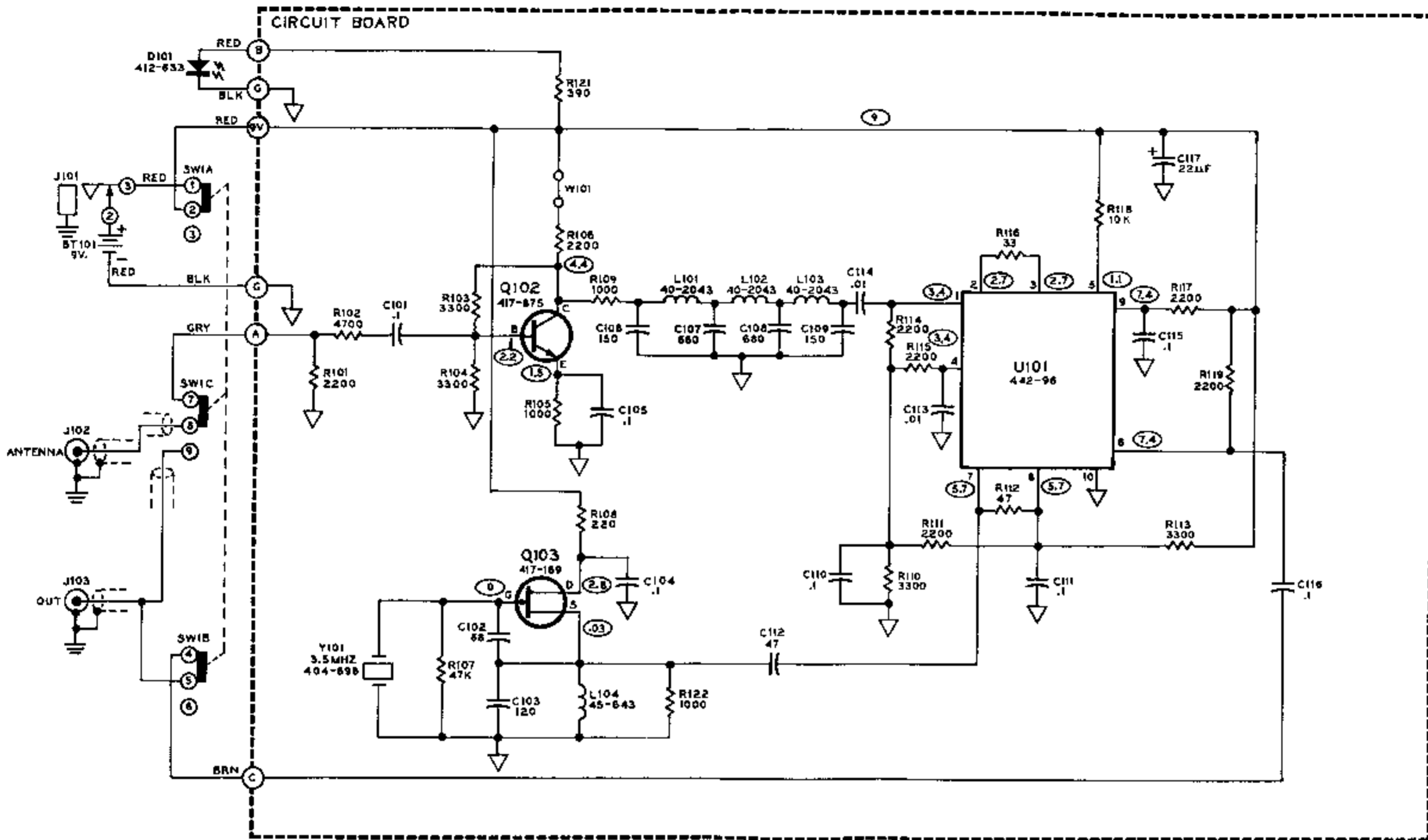
SEMICONDUCTOR IDENTIFICATION

COMPONENT NUMBER	HEATH PART NUMBER	MAY BE REPLACED WITH	KEY NUMBER
DIODE			
D101	412-633	5082-4484	A1
TRANSISTORS			
Q102	417-169	MPF105	A2
Q103	417-875	2N3904	A3
INTEGRATED CIRCUIT			
U101	442-96	MC1496G	A4






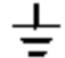


(Shown from the component side.)



**SCHEMATIC OF THE
HEATHKIT
VLF CONVERTER
MODEL HD-1420**

NOTES:

1. All resistors are rated at 1/4-watt, and have a 5% tolerance unless otherwise noted (K = 1000).
2. Capacitor values less than 1 are in μF (microfarads); those 1 or greater are in pF (picofarads), unless otherwise noted.
3. The following symbols are used on this schematic diagram:

-  Circuit board ground.
-  Chassis ground.
-  Circuit board wire connection.
-  DC voltage reading taken with a high input impedance voltmeter from the point indicated to chassis ground. Voltages may vary $\pm 10\%$.

4. Switch SW1 is shown in the "on" position.
5. Refer to the "Circuit Board X-Ray View" on Manual Page 23 for the physical locations of parts.