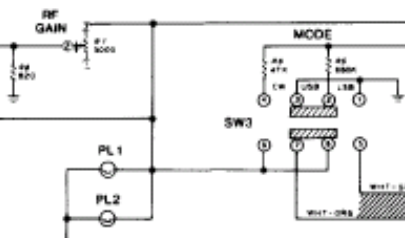
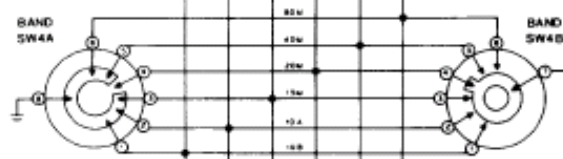
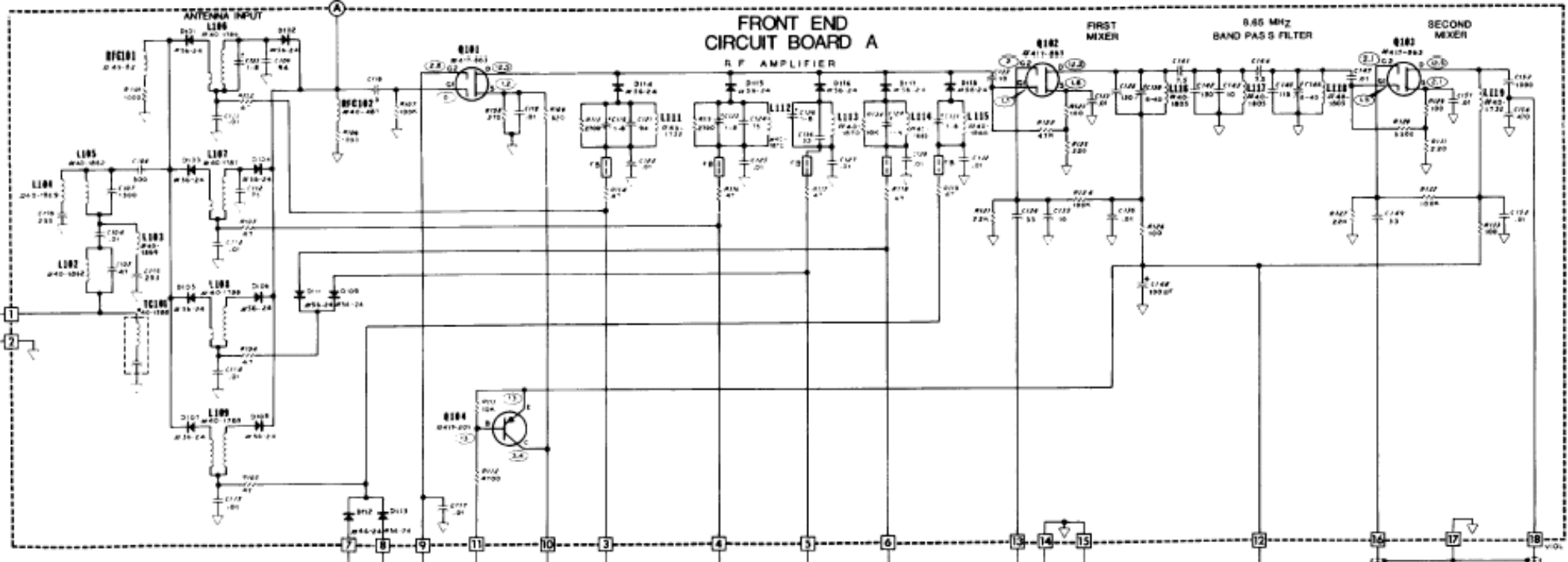
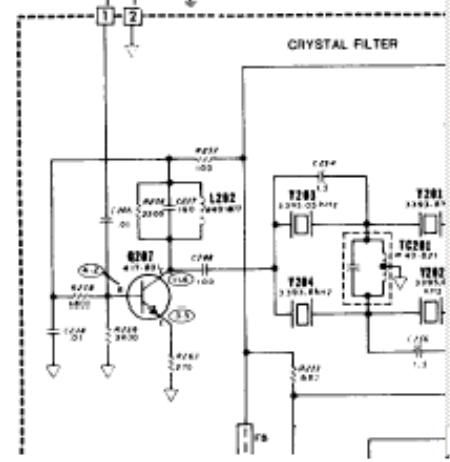
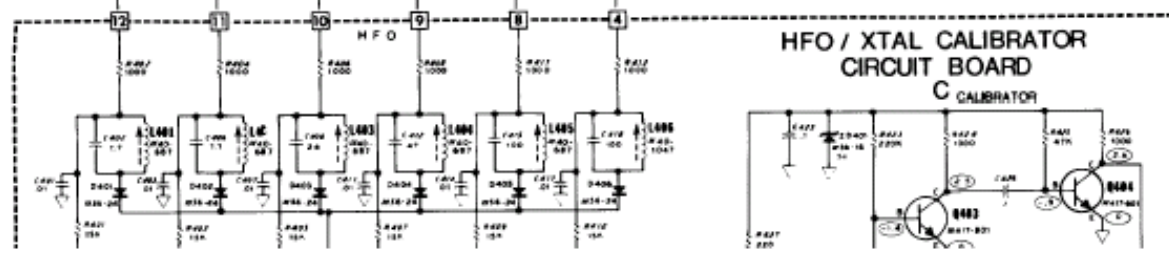
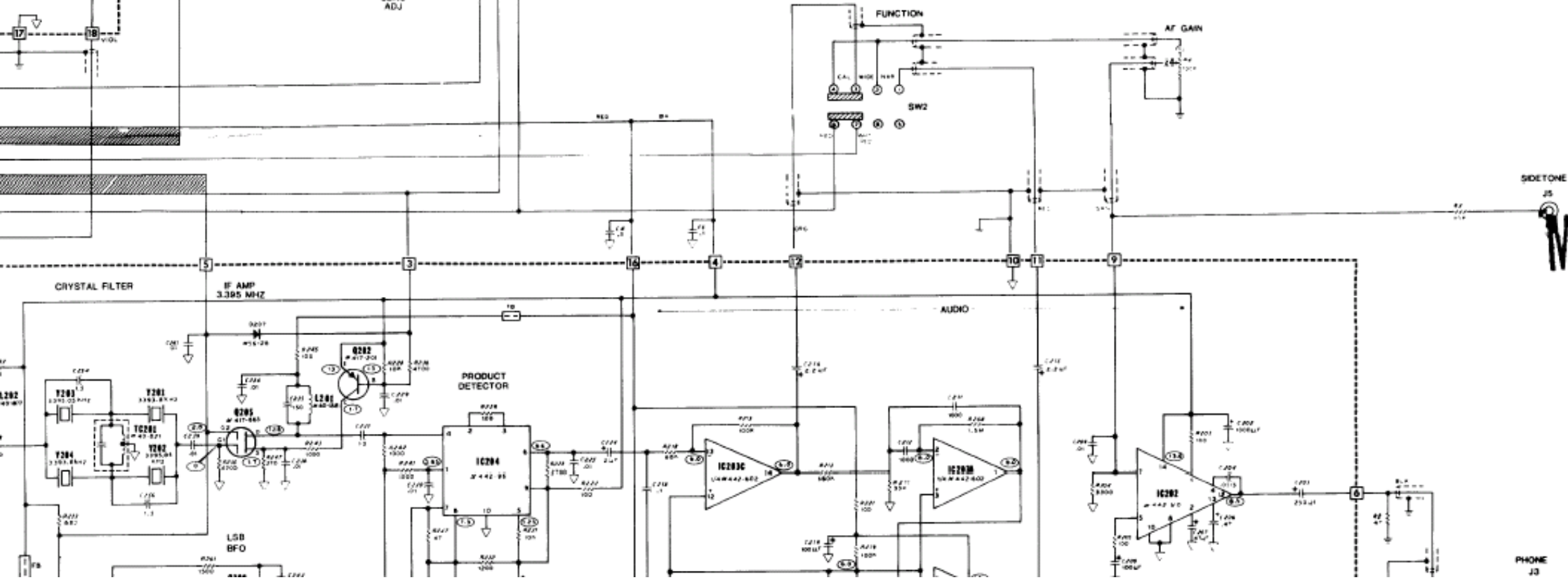
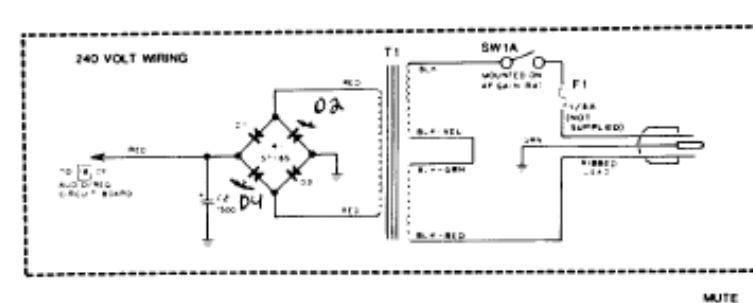
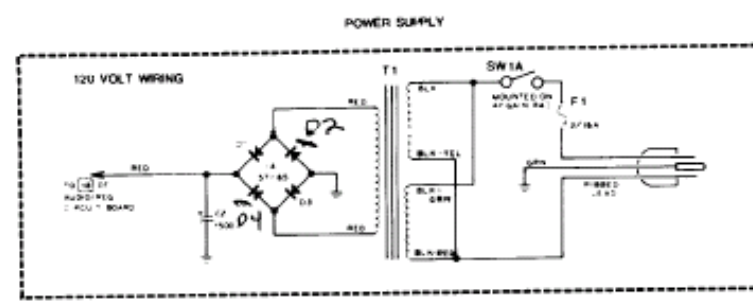
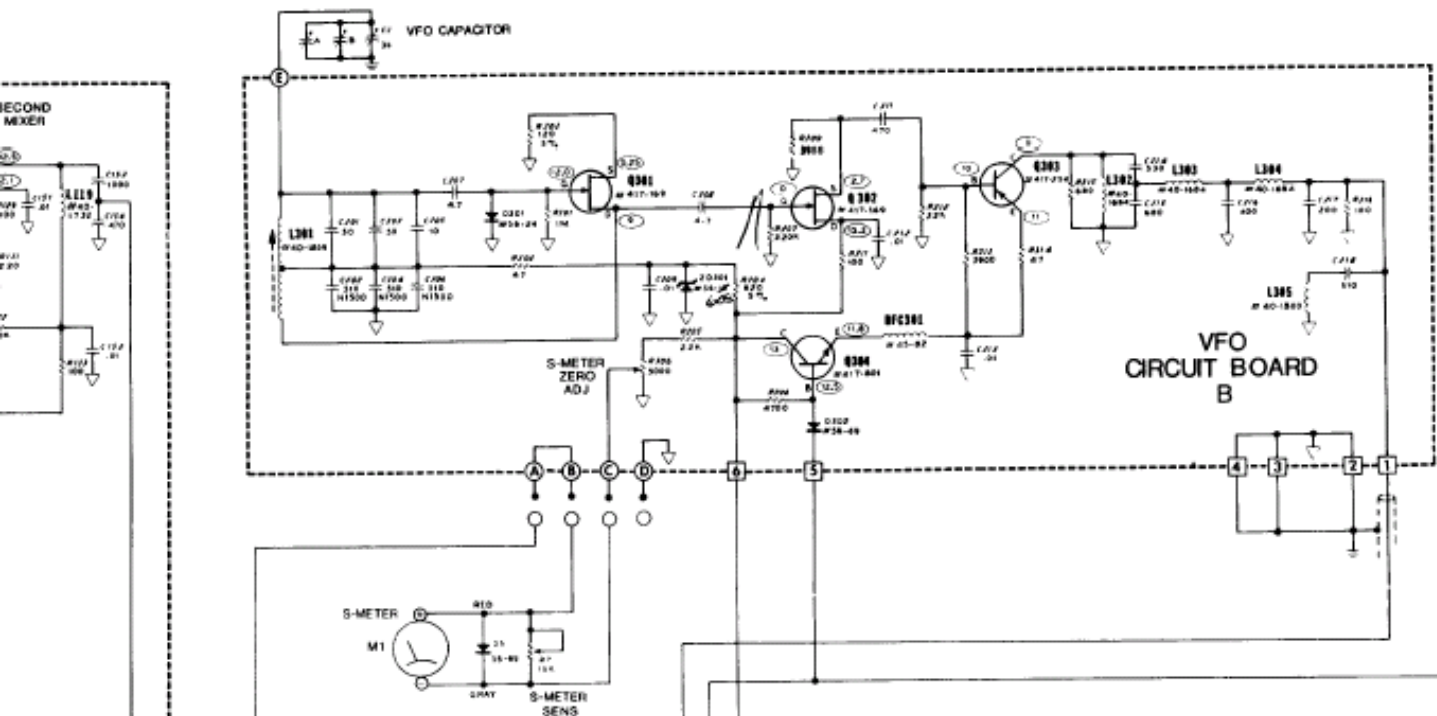


FRONT END CIRCUIT BOARD A



HFO / XTAL CALIBRATOR CIRCUIT BOARD C CALIBRATOR

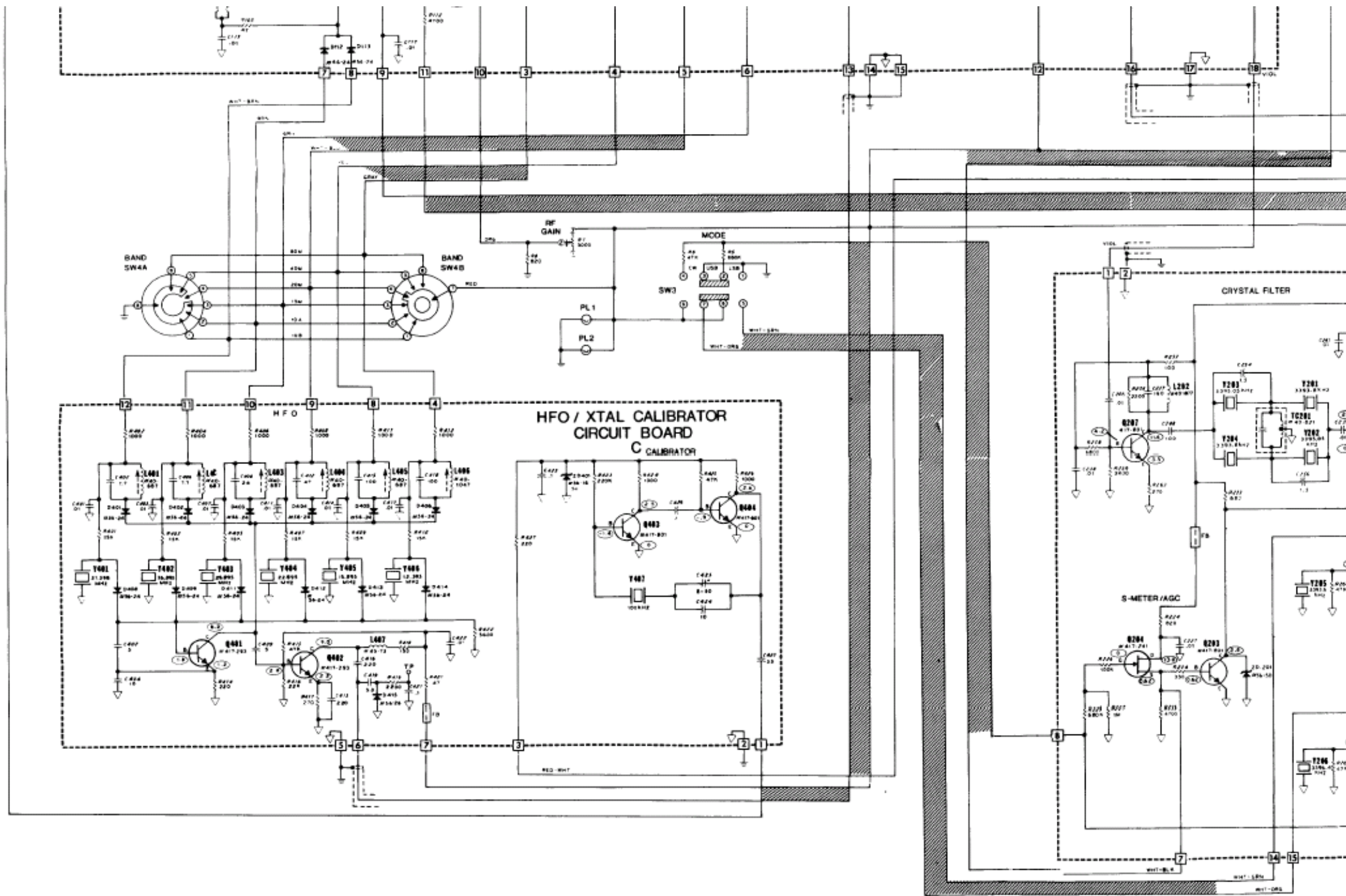


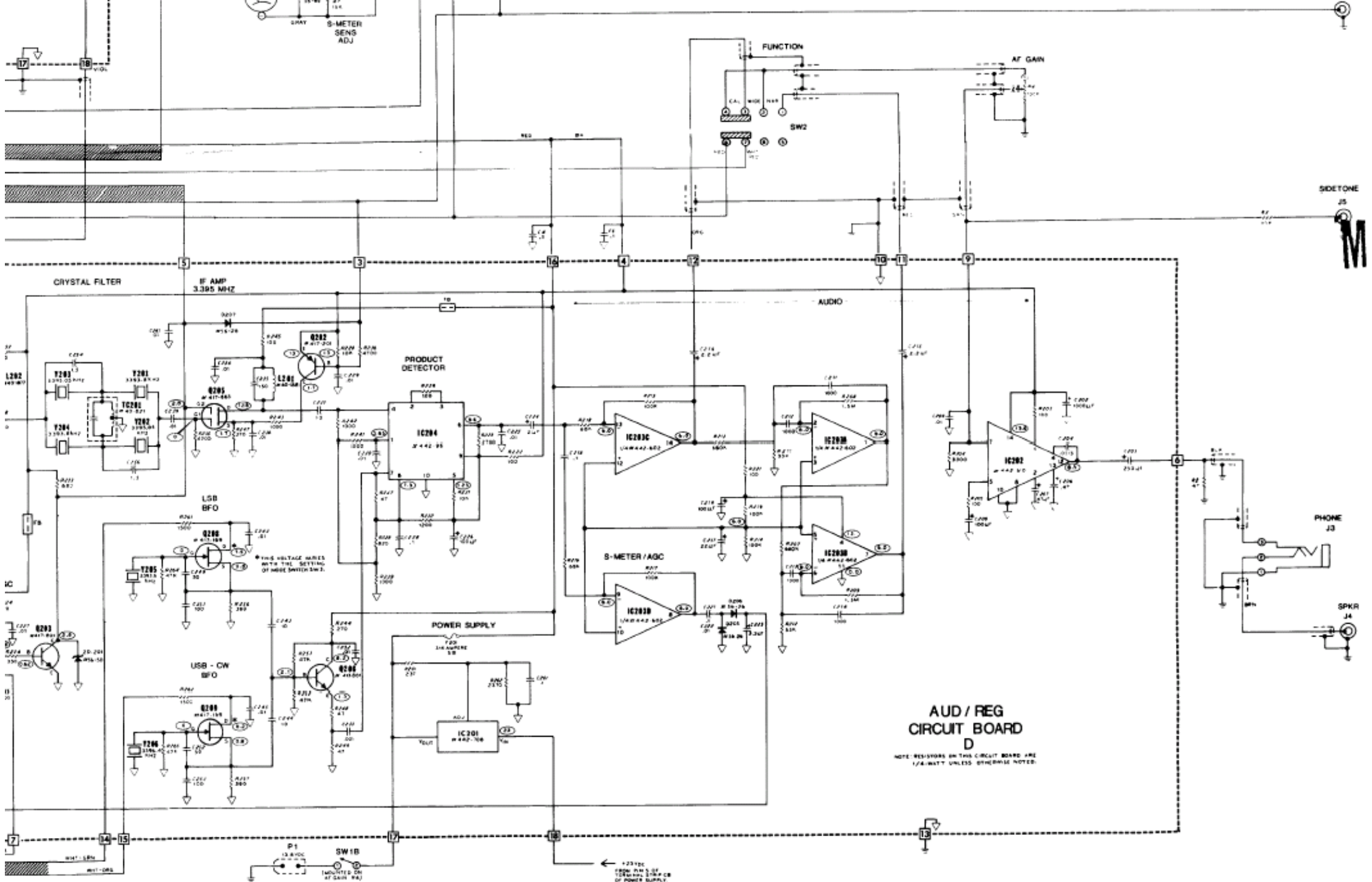


MUTE
J2

DIOTONE
J5

PHONE
J3





**AUD / REG
CIRCUIT BOARD
D**

NOTE: RESISTORS ON THIS CIRCUIT BOARD ARE 1/4-WATT UNLESS OTHERWISE NOTED.

← +25VDC
1000 PPM 5.0V
1000 PPM 100 PPM
OF POWER SUPPLY