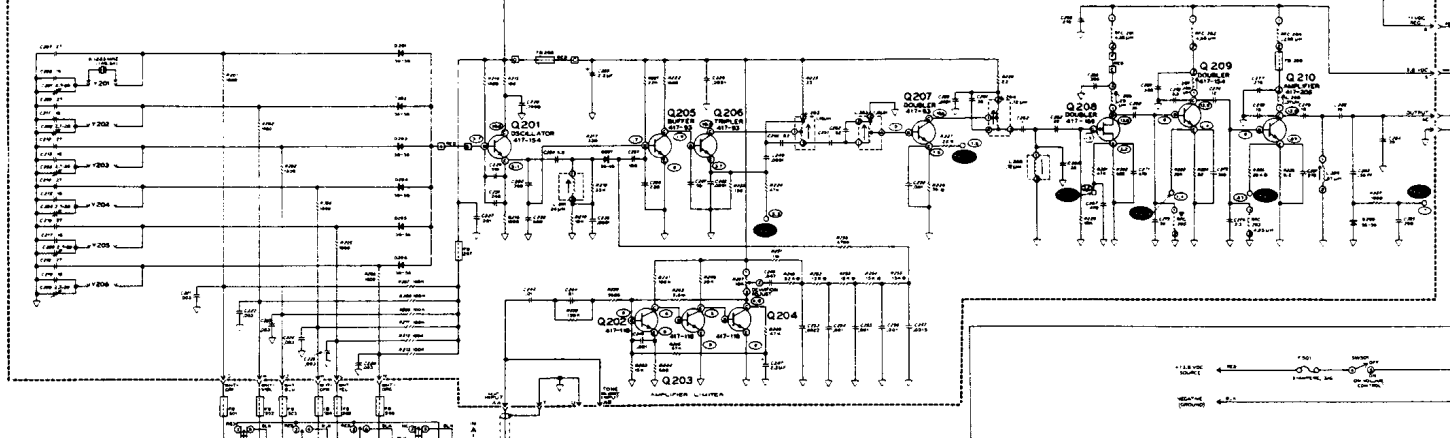


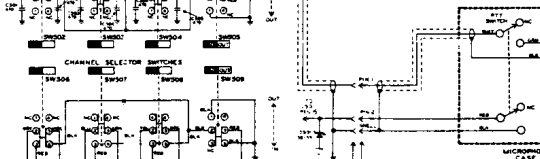
NOTES

1. COMPONENT NUMBERS ARE IN THE FOLLOWING GROUPS:  
 100-199 PARTS ON THE RECEIVER CIRCUIT BOARD  
 200-299 PARTS ON THE TRANSMITTER CIRCUIT BOARD  
 300-399 PARTS ON THE POWER AMPLIFIER CIRCUIT BOARD  
 400-499 PARTS ON THE HASH FILTER/REGULATOR CIRCUIT BOARD  
 500-599 PARTS ON THE CHASSIS
2. ALL RESISTORS ARE 1/2 WATT 20% TOLERANCE UNLESS OTHERWISE NOTED. RESISTOR VALUES ARE IN OHMS  $\times 1000$  UNLESS NOTED.
3. CAPACITORS LESS THAN 1  $\mu$ F ARE IN  $\mu$ F; MICROFARADS; ALL OTHER CAPACITORS ARE IN P.F. (PICTOFARADS); UNLESS OTHERWISE MARKED.
4. INDUCTORS ARE SHOWN IN MM (MILLIMETERS); AND  $\mu$ H (MICROHENRIES).
5. ARROWS AT CONTROLS INDICATE CLOCKWISE ROTATION VIEWED FROM THE SHAFT END OF THE CONTROL.
6. THIS SYMBOL AROUND A PART NUMBER MEANS THAT THIS COMPONENT IS MOUNTED ON THE CHASSIS, THROUGH ITS LOCATION ON THE SCHEMATIC SUGGESTS OTHERWISE.
7. THIS SYMBOL INDICATES A POSITIVE DC VOLTAGE MEASURED WITH A HIGH INPUT IMPEDANCE VOLTMETER FROM THE POINT INDICATED TO CHASSIS GROUND UNDER THE FOLLOWING CONDITIONS:  
 1. NO SIGNAL INPUT  
 2. RECEIVER SQUELCHED AT THRESHOLD VOLUME FULLY COUNTERCLOCKWISE  
 3. LOWEST FREQUENCY RECEIVER OSCILLATOR CRYSTAL SELECTED  
 4. TRANSMITTER VOLTAGES KEPT WITHOUT MODULATION
8. THIS SYMBOL INDICATES CIRCUIT BOARD GROUND.
9. THIS SYMBOL INDICATES CHASSIS GROUND.
10. THIS SYMBOL INDICATES A CIRCUIT BOARD CONNECTOR IN AND A FEMALE WIRE CONNECTOR.
11. THIS SYMBOL INDICATES A SOLDERED CONNECTION TO A CIRCUIT BOARD.
12. SEE TABLES 1 AND 2 FOR VOLTAGES.
13. THIS SYMBOL DESIGNATES A 1% TOLERANCE RESISTOR.
14. THIS SYMBOL DENOTES A COIL WOUND BY THE KIT BUILDER. REFER TO THE "CHASSIS PHOTOGRAPHS" AND "CIRCUIT BOARD X-RAY VIEWS" FOR THE PHYSICAL LOCATION OF PARTS.
15. P301 AND 1201 ARE MATING SIDE VIEWS.
16. 1P-TEST POINT  
 1F- Ferrite BEAD
17. THIS SYMBOL INDICATES A RECTIFIED VOLTAGE MEASURED WITH A HIGH INPUT IMPEDANCE VOLTMETER. USE A 100K RESISTOR IN SERIES WITH THE VOLTMETER PROBE.

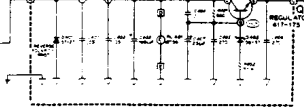
TRANSMITTER CIRCUIT BOARD



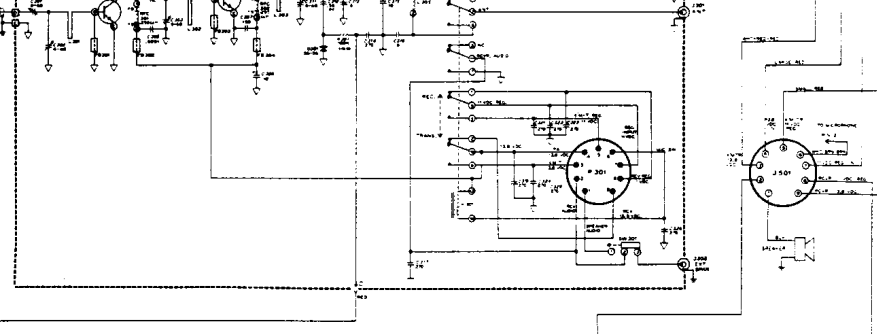
SCHEMATIC OF THE HEATHKIT 2-METER FM TRANSCEIVER MODEL HW-202



HASH FILTER/REGULATOR



POWER AMPLIFIER CIRCUIT BOARD



RECEIVER CIRCUIT BOARD

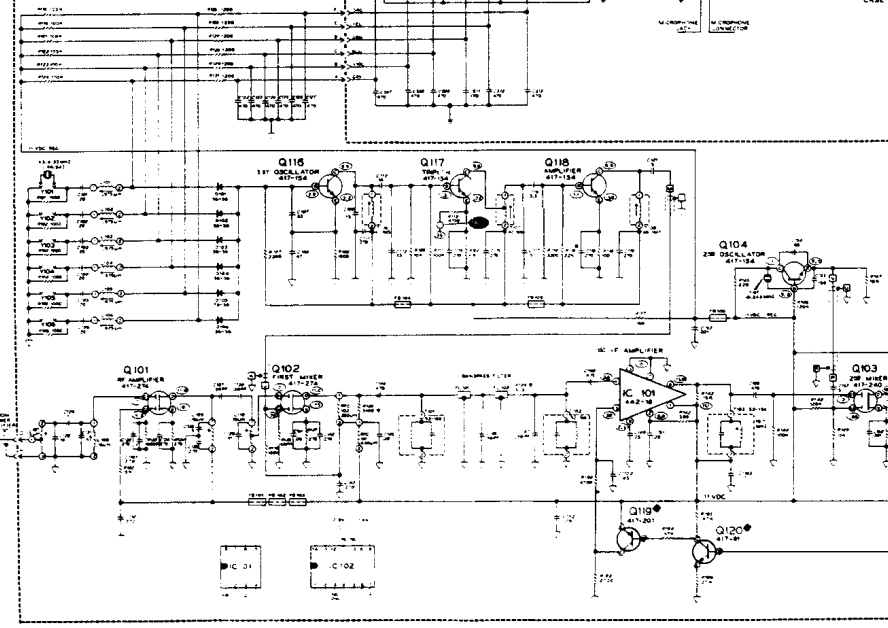


TABLE 1  
RECEIVER TONELEVEL AT THRESHOLD, NO SIGNAL INPUT

	E	B	C
Q101	1.1	1.7	3.4
Q104	1.2	1.7	3.2
Q107	3.5	4.2	10.3
Q108	3.4	3.4	11.0
Q118	11.0	11.1	11.0
Q120	0	0	11.2

TABLE 2  
CONTROL AS IN TABLE 1 WITH 1000  $\mu$ V INPUT SIGNAL

	E	B	C
Q101	1.2	1.8	4.0
Q104	1.2	1.8	3.3
Q107	1.1	2	10.4
Q108	1.3	2.0	9.8
Q118	11.1	10.5	4.5
Q120	1.0	1.5	10.8