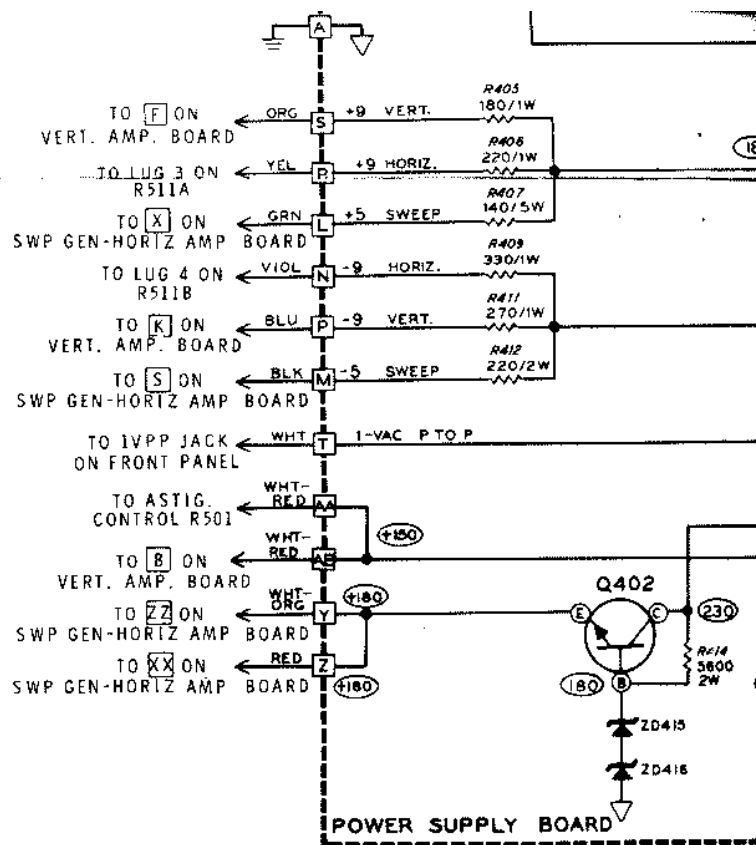
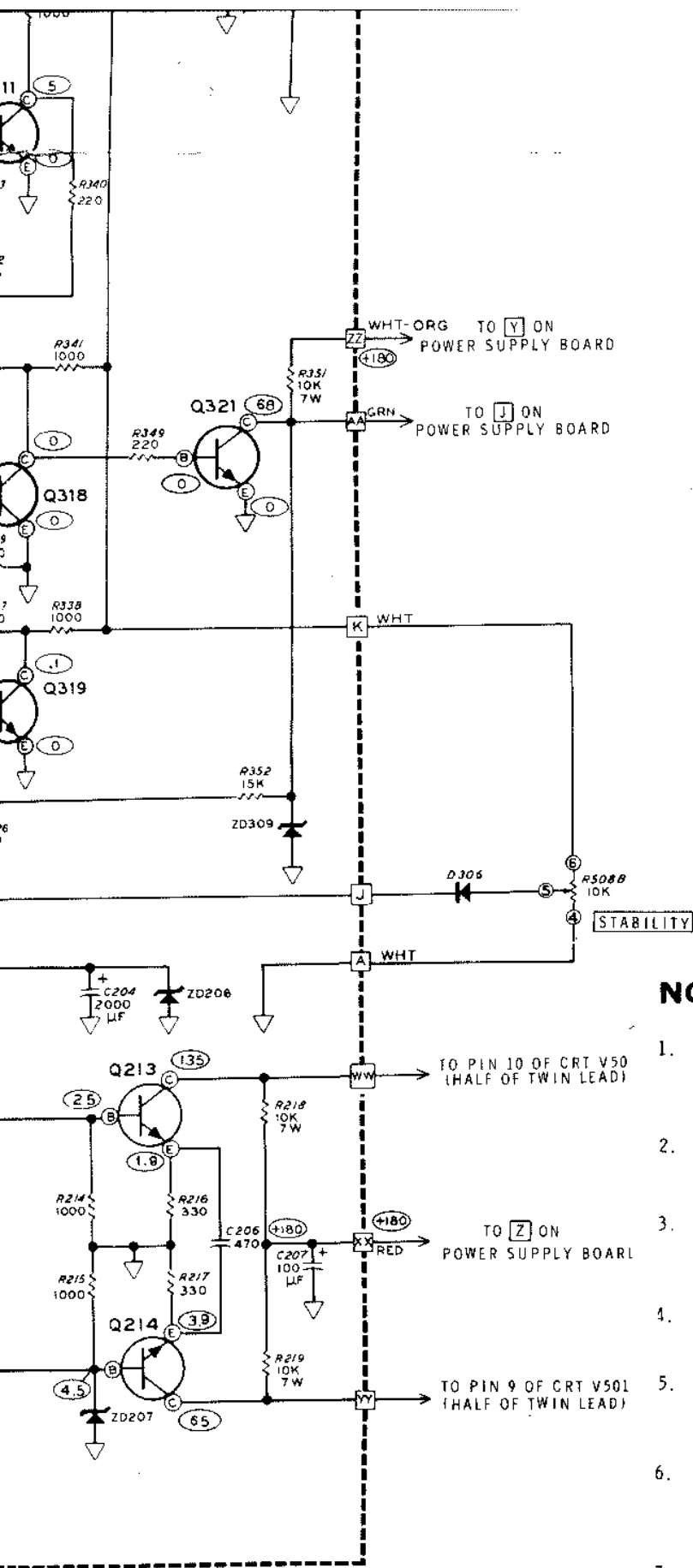
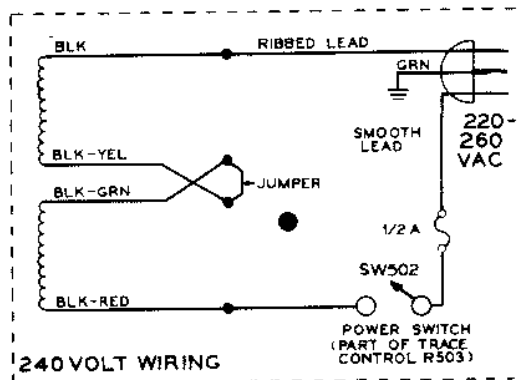
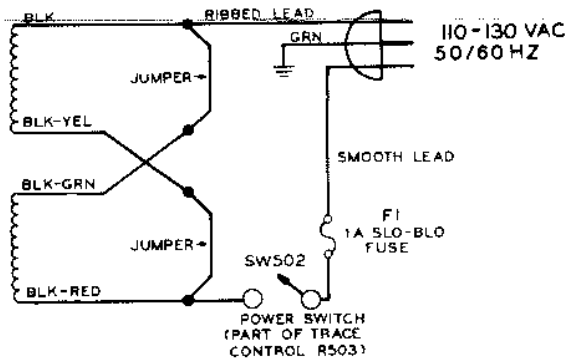
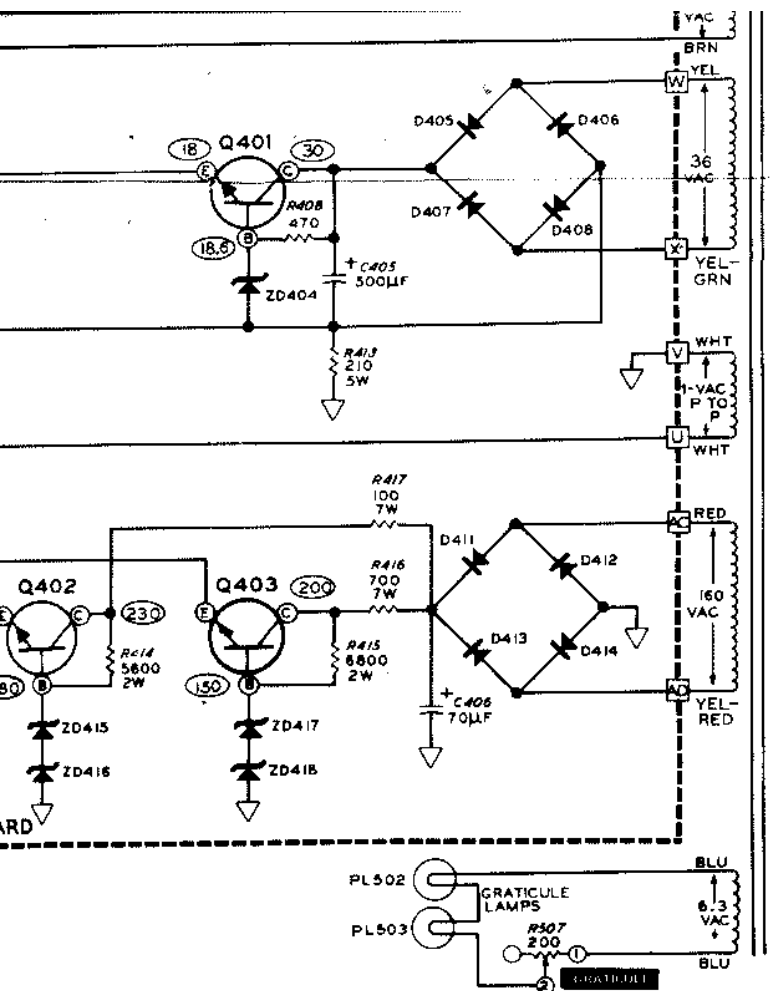


HORIZONTAL AMPLIFIER BOARD



NOTES:

1. ALL RESISTORS IN THE SWEEP GENERATOR CIRCUIT ARE 1/4 WATT UNLESS OTHERWISE INDICATED.
2. ALL OTHER RESISTORS ARE 1/2 WATT UNLESS OTHERWISE INDICATED.
3. ALL CAPACITORS LESS THAN ONE (.01 ETC.) ARE IN μF . ALL OTHERS ARE IN PF UNLESS OTHERWISE INDICATED.
4. THE AC-GND-DC SWITCH, SW-501, IS SHOWN IN THE DC POSITION.
5. TRIGGER SWITCHES SW-503, SW-504, SW-505, AND SW-506 ARE SHOWN WITH THEIR LEVERS IN THE DOWN POSITION.
6. THE VOLTS/CM AND TIME/CM SWITCHES ARE SHOWN IN THEIR CLOCKWISE POSITIONS.
7. ○ THIS SYMBOL INDICATES THE DC VOLTAGE THAT SHOULD BE MEASURED AT THE INDICATED CIRCUIT POINT.



CIRCUIT ARE 1/4 WATT UNLESS

OTHERWISE INDICATED.

IN μF ALL OTHER CAPACITORS

IN THE DC POSITION.

AND SW-506 ARE SHOWN WITH

OWN IN THEIR FULLY COUNTER-

GE THAT SHOULD BE PRESENT AT

8. ALL VOLTAGES WERE MEASURED WITH A HIGH IMPEDANCE INPUT VOLTMETER FROM THE POINT INDICATED TO CHASSIS GROUND. VOLTAGES MAY VARY $\pm 10\%$ AND ARE TAKEN UNDER THE FOLLOWING CONDITIONS:

- SW-501 IN GND POSITION.
- NO HORIZONTAL INPUT SIGNAL.
- ALL TRIGGER SWITCHES UP.
- TIME/CM (SWEEP) SWITCH SW-304 IN THE FULLY CLOCKWISE "EXT. IN" POSITION.
- STABILITY CONTROL MAXIMUM CCW

9. ∇ THIS SYMBOL INDICATES CIRCUIT BOARD GROUND

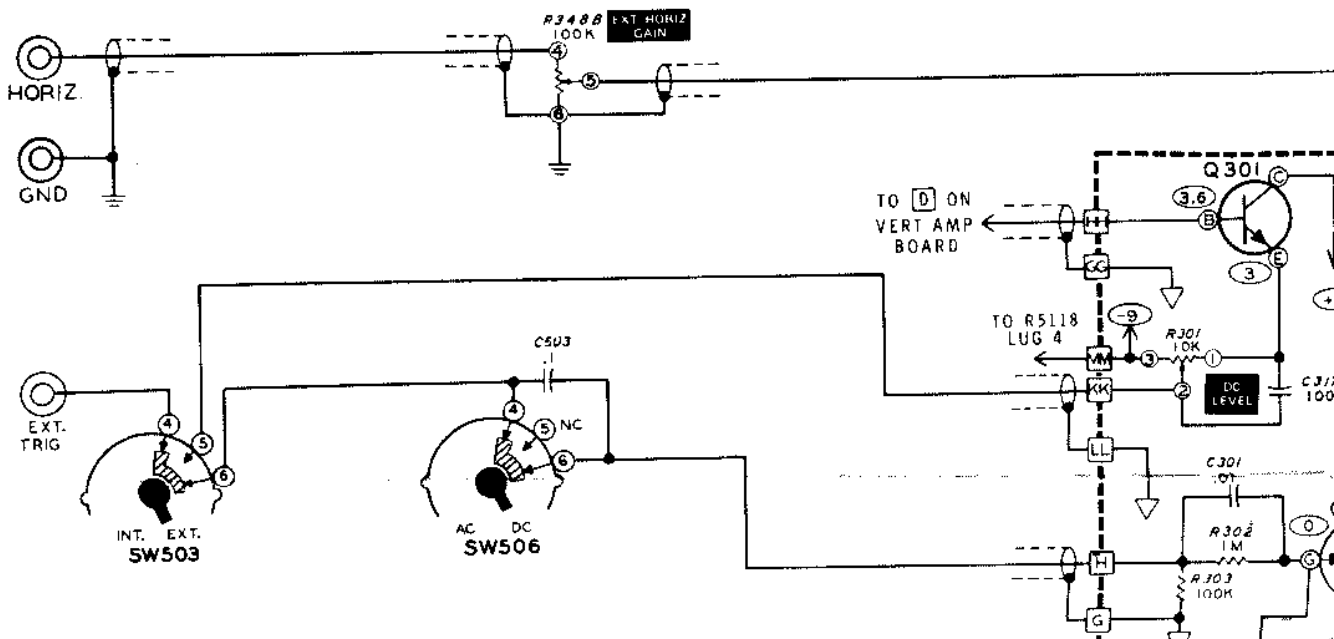
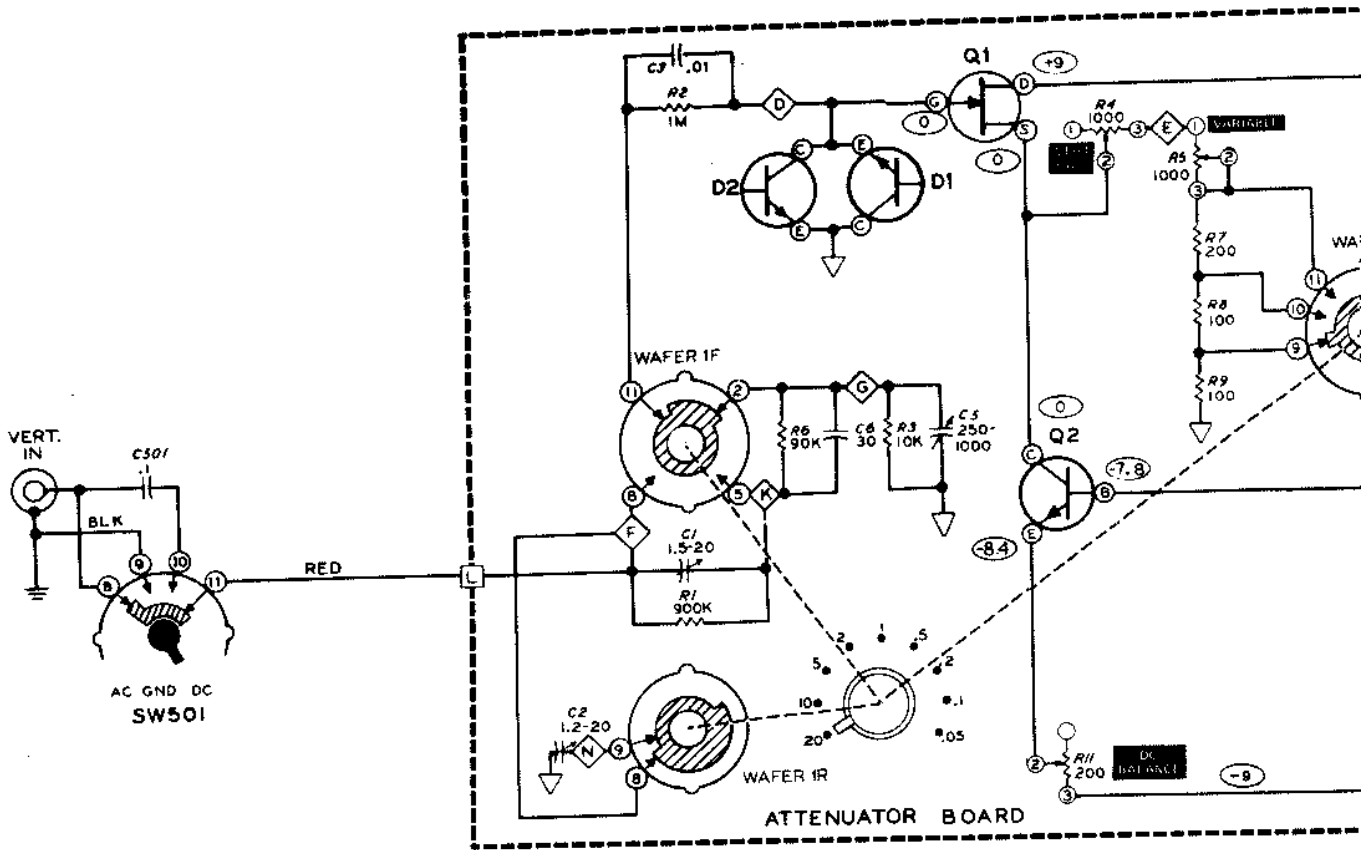
10. \equiv THIS SYMBOL INDICATES CHASSIS GROUND.

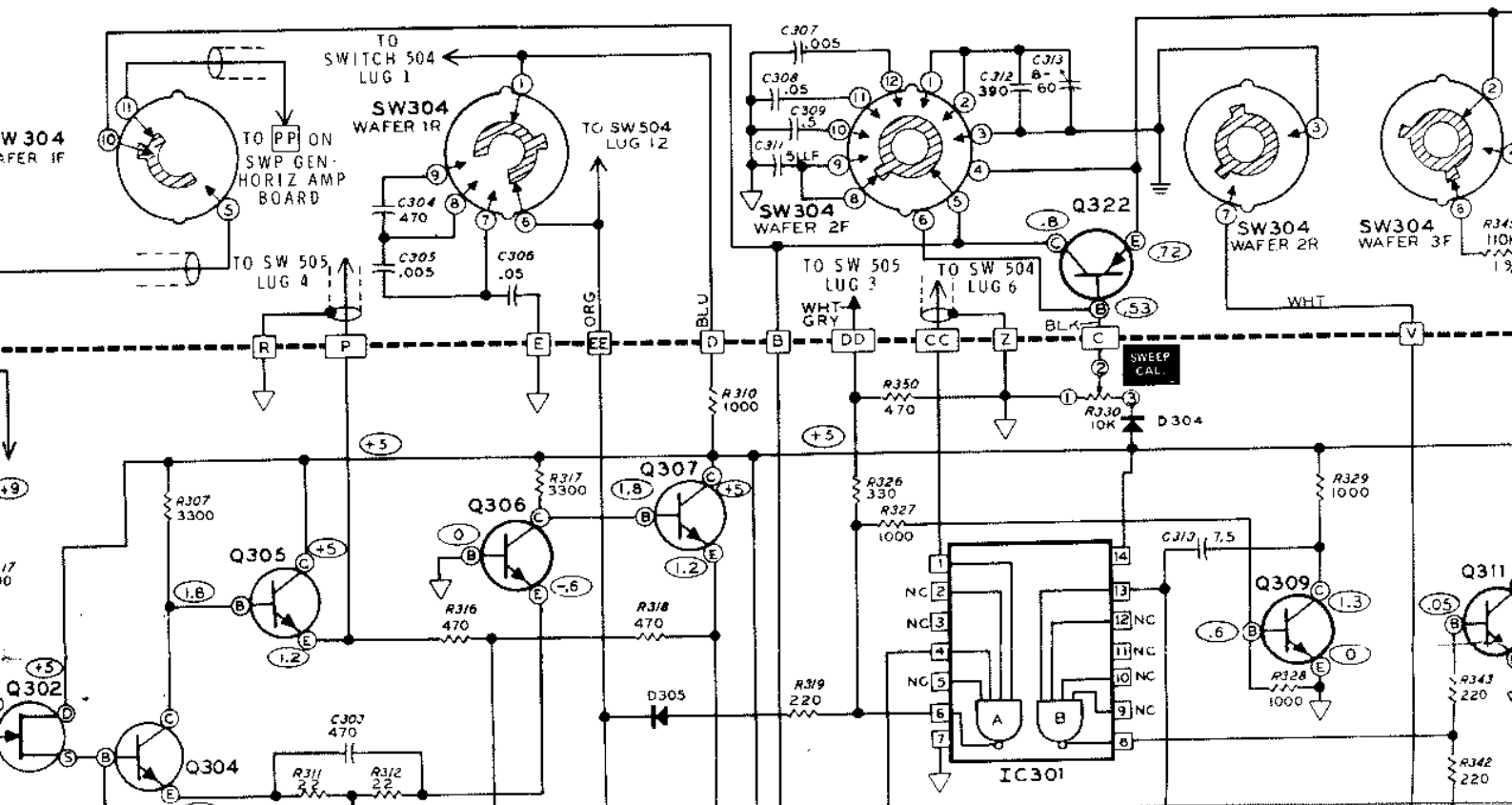
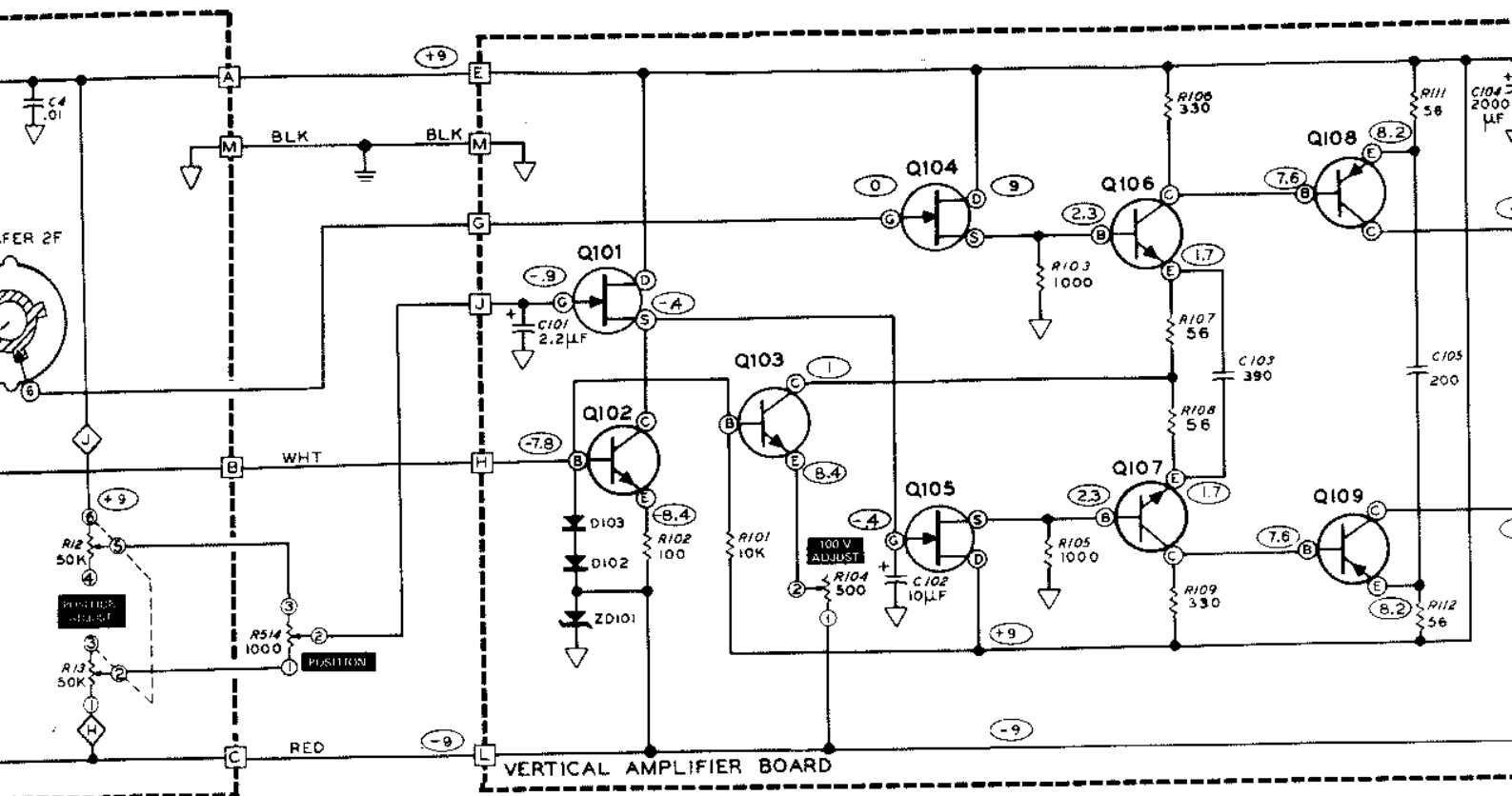
11. ROTARY SWITCHES ARE VIEWED FROM THE SHAFT END OF THE SWITCHES.

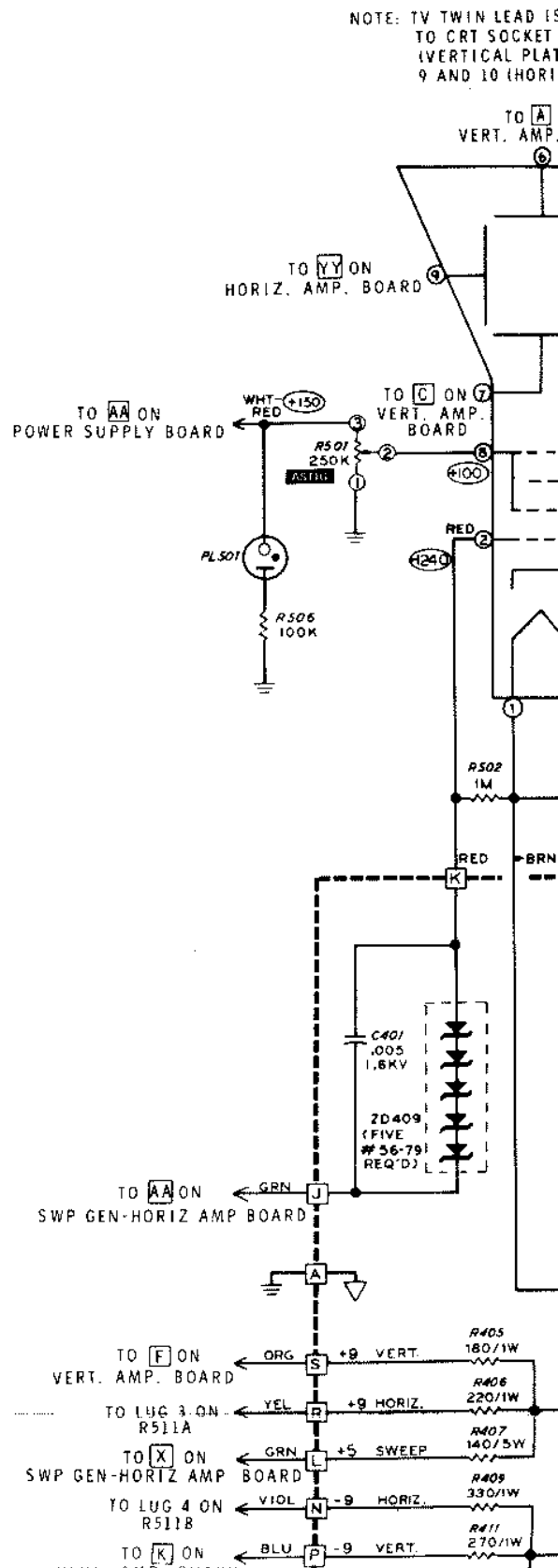
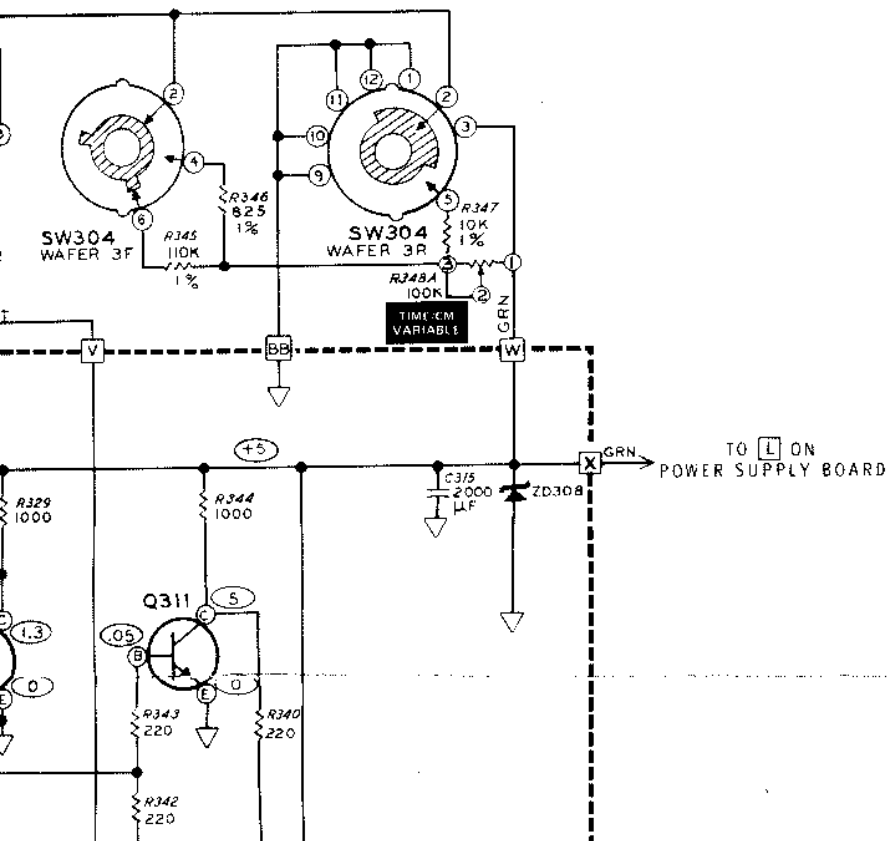
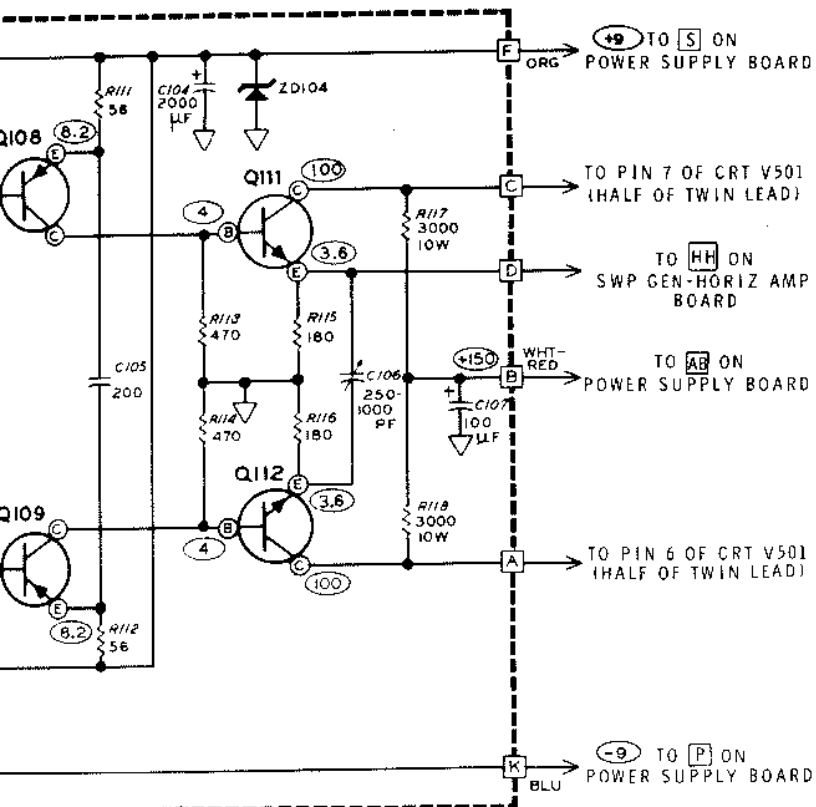
12. LEVER SWITCHES ARE VIEWED FROM THE CONTACT SIDE OF THE SWITCH WAFER.

NOTE: LETTER-NUMBER DESIGNATIONS FOR RESISTORS, CAPACITORS, ETC., HAVE BEEN PLACED IN THE FOLLOWING GROUPS:

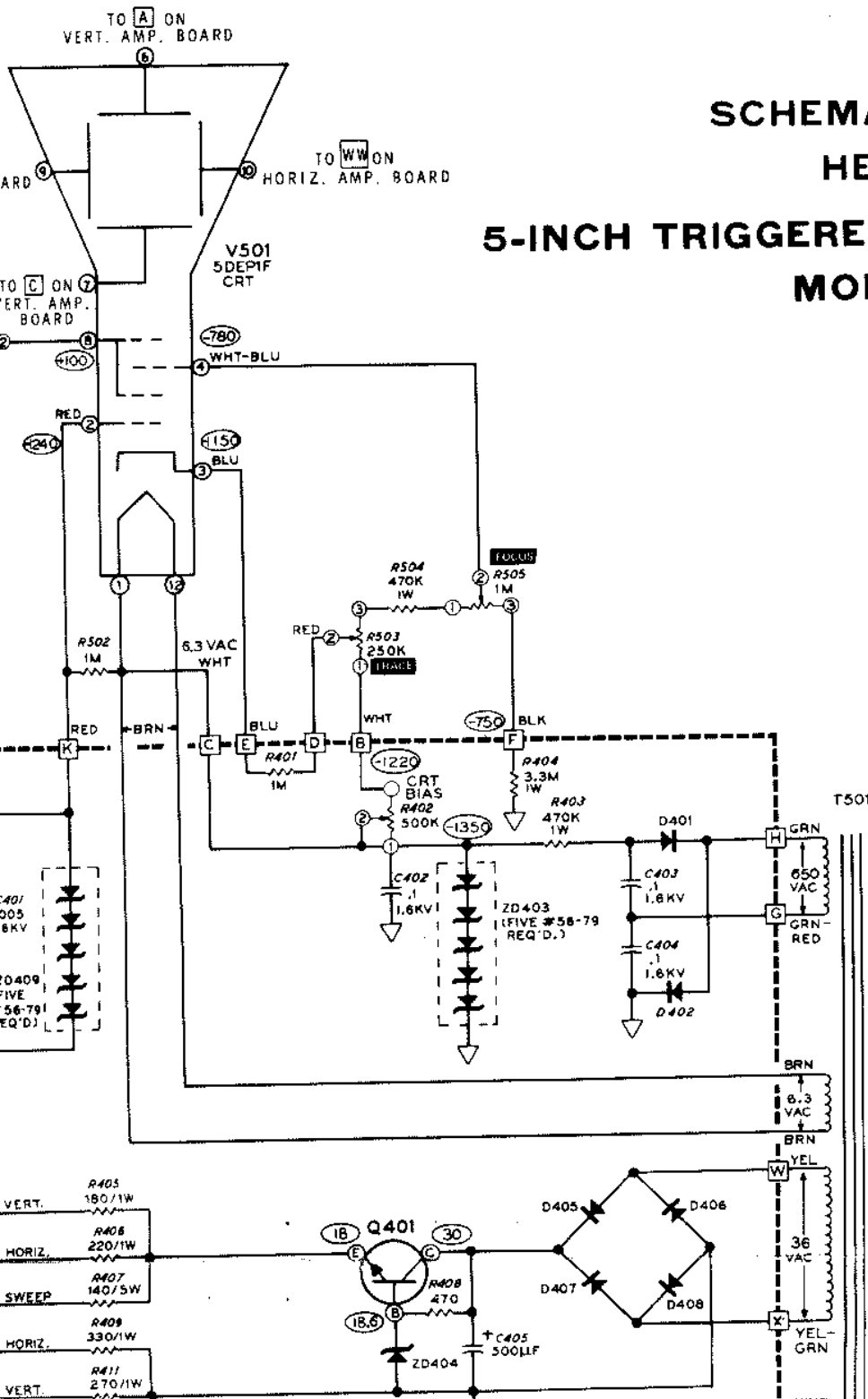
1-99	ATTENUATOR BOARD.
101-199	VERTICAL AMPLIFIER BOARD.
201-299	HORIZONTAL AMPLIFIER CIRCUITS.
301-399	SWEEP GENERATOR CIRCUITS.
401-499	POWER SUPPLY BOARD.
501-599	CHASSIS MOUNTED PARTS.







NOTE: TV TWIN LEAD IS USED TO CONNECT TO CRT SOCKET LUGS 6 AND 7 (VERTICAL PLATES), AND TO LUGS 9 AND 10 (HORIZONTAL PLATES).



SCHEMATIC OF THE HEATHKIT®

5-INCH TRIGGERED SWEEP OSCILLOSCOPE MODEL 10-103

