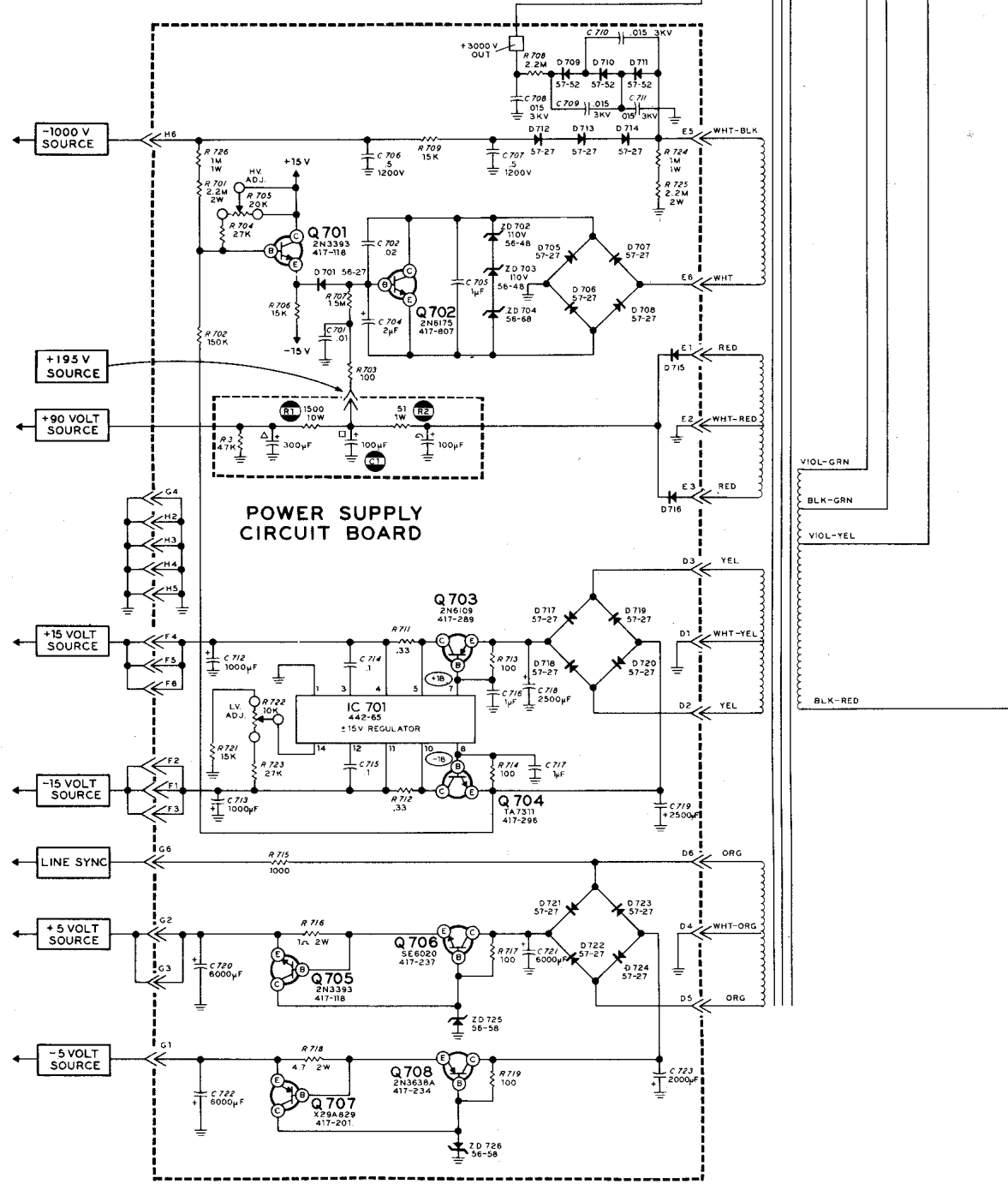
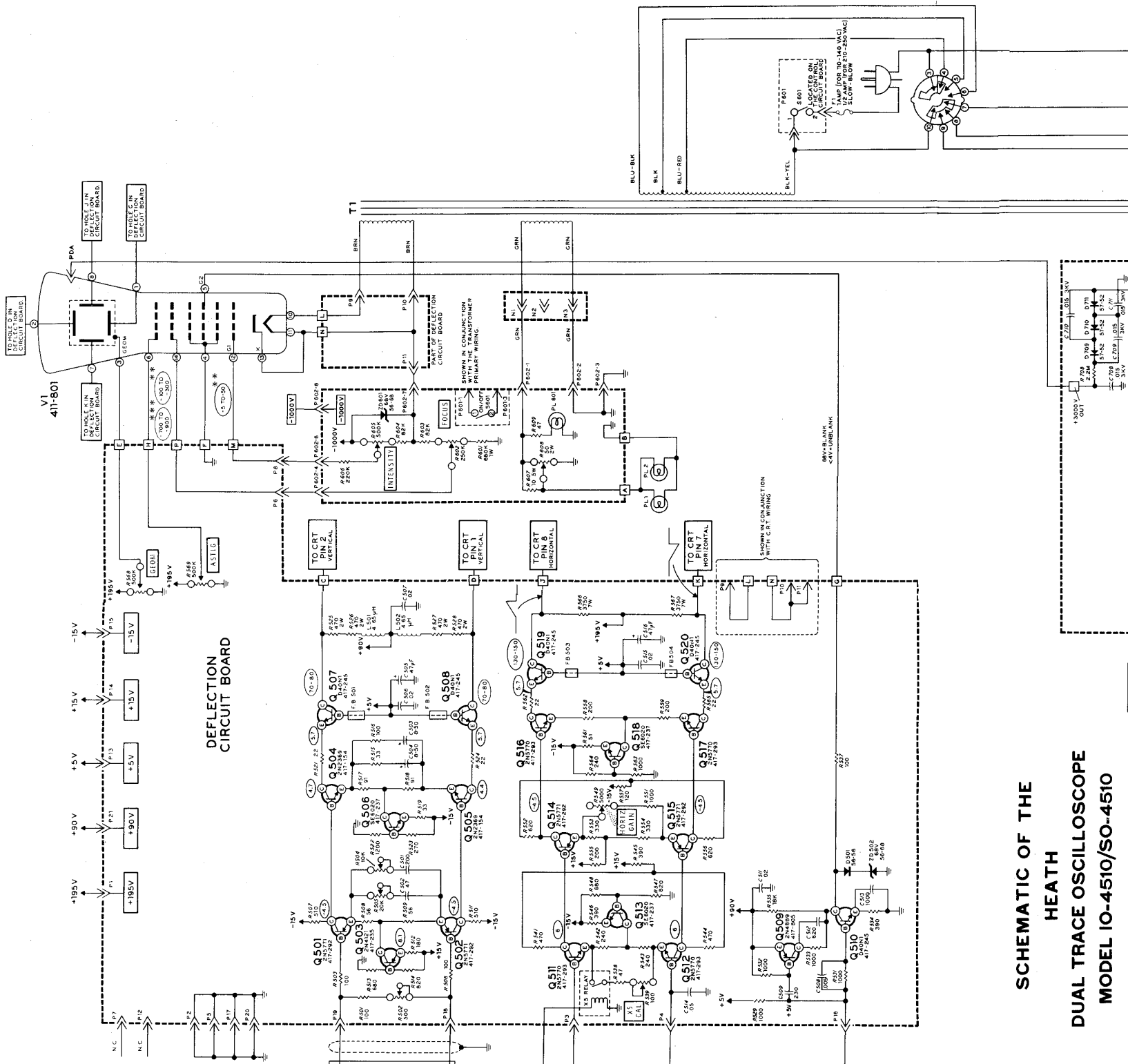
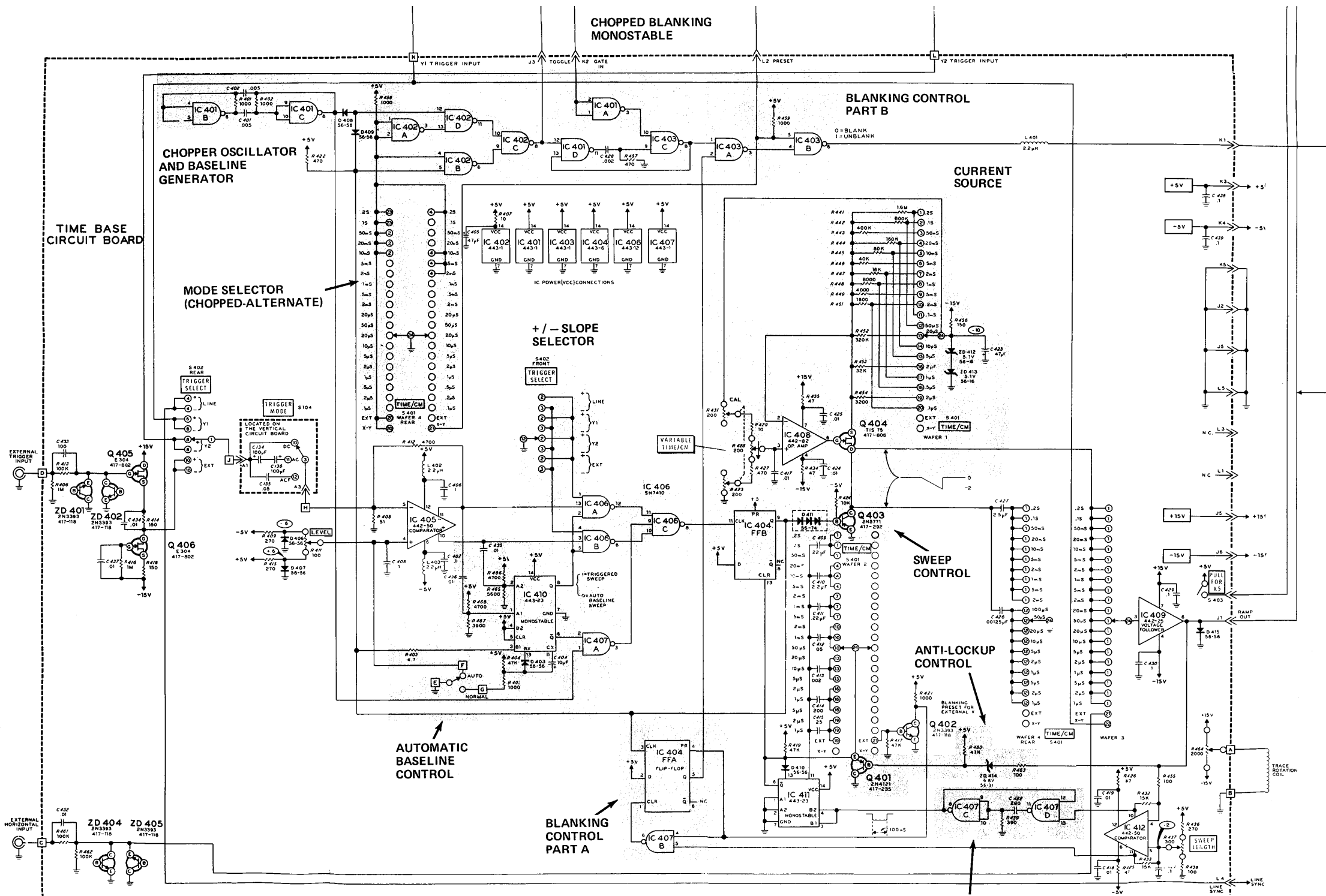


SCHEMATIC OF THE HEATH DUAL TRACE OSCILLOSCOPE MODEL 10-4510/SO-4510





**SCHEMATIC OF THE
HEATH
DUAL TRACE OSCILLOSCOPE
MODEL IO-4510/SO-4510**



TIME BASE CIRCUIT BOARD

CHOPPER OSCILLATOR AND BASELINE GENERATOR

MODE SELECTOR (CHOPPED-ALTERNATE)

CHOPPED BLONSTABLE

BLANKING CONTROL PART B

CURRENT SOURCE

+ / - SLOPE SELECTOR

SWEEP CONTROL

ANTI-LOCKUP CONTROL

AUTOMATIC BASELINE CONTROL

BLANKING CONTROL PART A

+5V

-5V

+15V

-15V

+5V

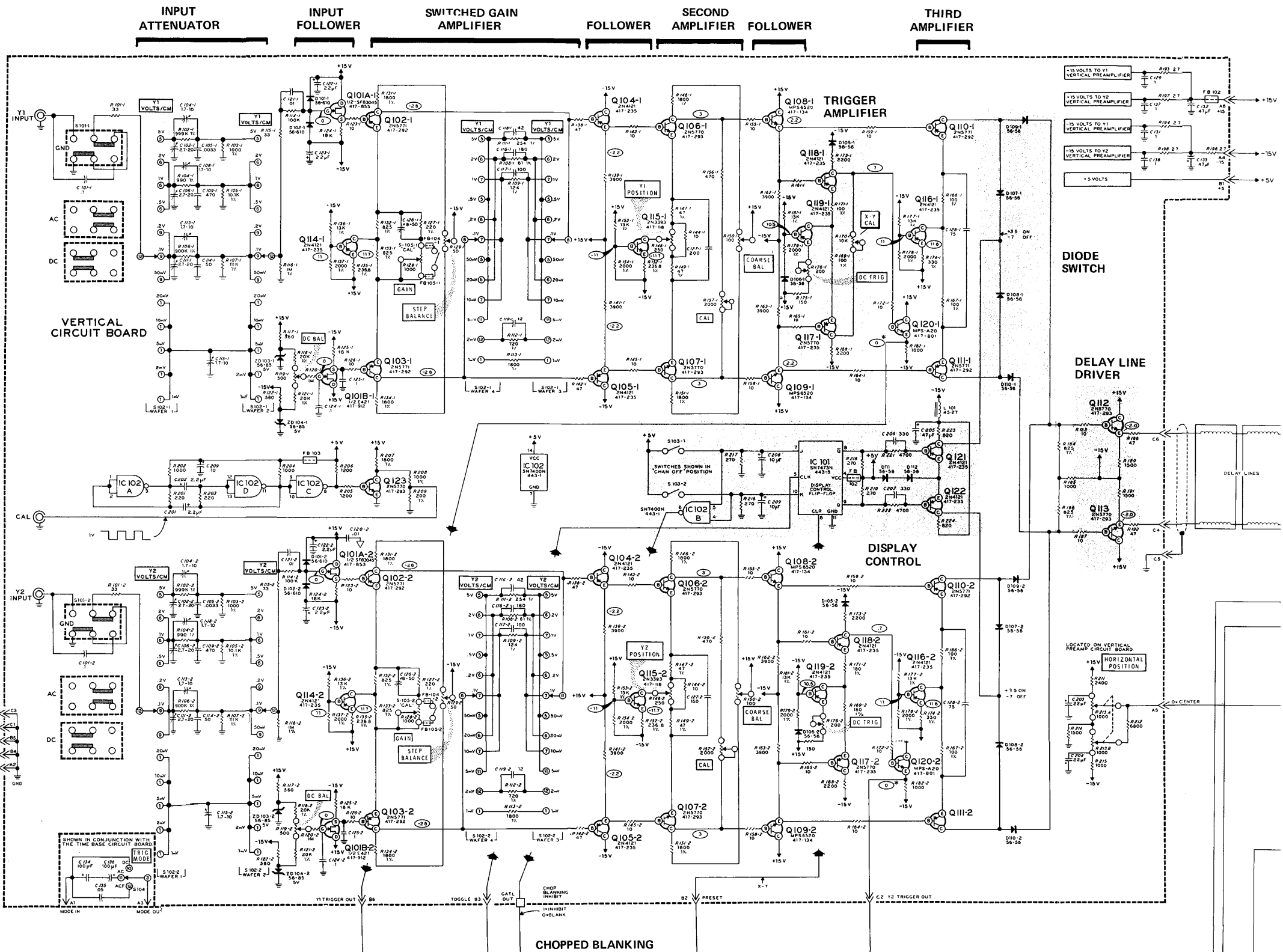
+15V

-5V

-15V

TRACE ROTATION COIL

LINE SYNC



INPUT ATTENUATOR

INPUT FOLLOWER

SWITCHED GAIN AMPLIFIER

FOLLOWER

SECOND AMPLIFIER

FOLLOWER

THIRD AMPLIFIER

TRIGGER AMPLIFIER

DIODE SWITCH

DELAY LINE DRIVER

DISPLAY CONTROL

HORIZONTAL POSITION

CHOPPED BLANKING

VERTICAL CIRCUIT BOARD

AC

DC

SHOW IN CONJUNCTION WITH THE TIME BASE CIRCUIT BOARD

MODE IN

MODE OUT

LOCATED ON VERTICAL PREAMP CIRCUIT BOARD

AC CENTER

DC CENTER

AC

DC

AC

DC

-15 VOLTS TO V1
VERTICAL PREAMPLIFIER

-15 VOLTS TO V2
VERTICAL PREAMPLIFIER

-15 VOLTS TO V1
VERTICAL PREAMPLIFIER

-15 VOLTS TO V2
VERTICAL PREAMPLIFIER

+5 VOLTS

+15V

-15V

+5V

+15V

-15V

+5V

+15V

-15V

+5V

+15V

-15V

+5V

Y1 TRIGGER OUT B6

TOGGLE 83

GATE OUT

CHOP BLANKING INHIBIT

INHIBIT OVERLANK

B2 PRESET

X-1

C2 Y2 TRIGGER OUT

