

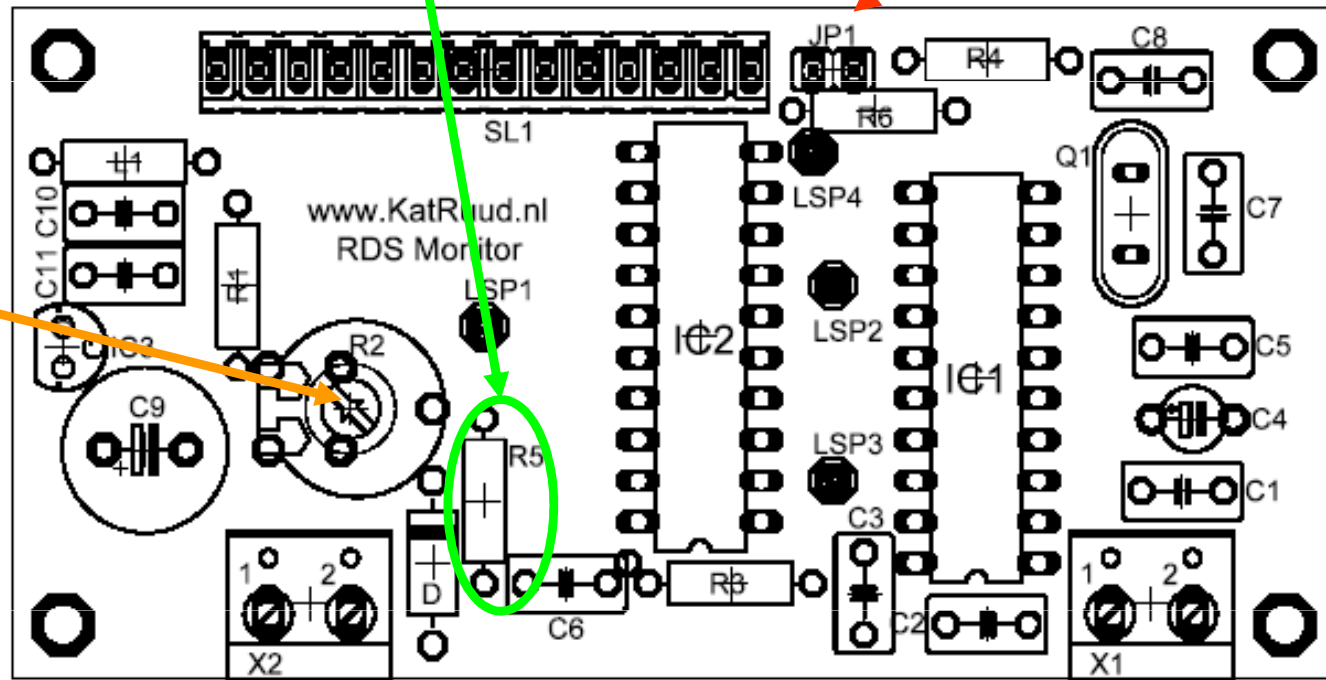
KatRuud RDS-Monitor

Weerstand voor achtergrond verlichting

JP1 open: display TIJD

JP1 dicht: display PI-code i.p.v. TIJD

Contrast



12Vdc

MPX/RDS input

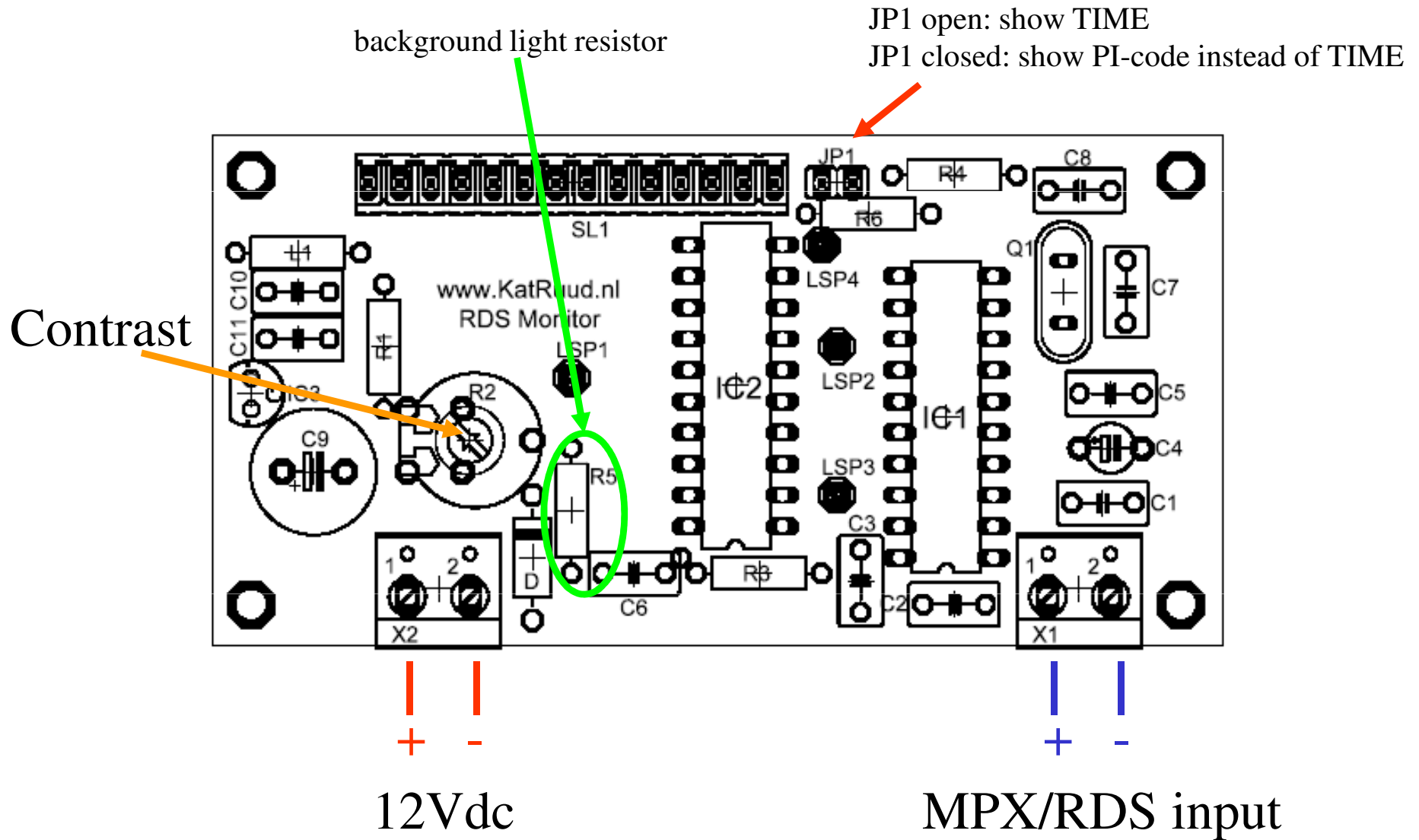
Connections for Esslingers software;

LSP2: CLK connect to point 9 (9 pole sub-D connector)

LSP3: DATA connect to point 6 (9 pole sub-D connector)

LSP4: GND connect to point 5 (9 pole sub-D connector)

KatRuud RDS-Monitor



Connections for Esslingers software;

- LSP2: CLK connect to point 9 (9 pole sub-D connector)
- LSP3: DATA connect to point 6 (9 pole sub-D connector)
- LSP4: GND connect to point 5 (9 pole sub-D connector)