



+31 (0)6 37216115

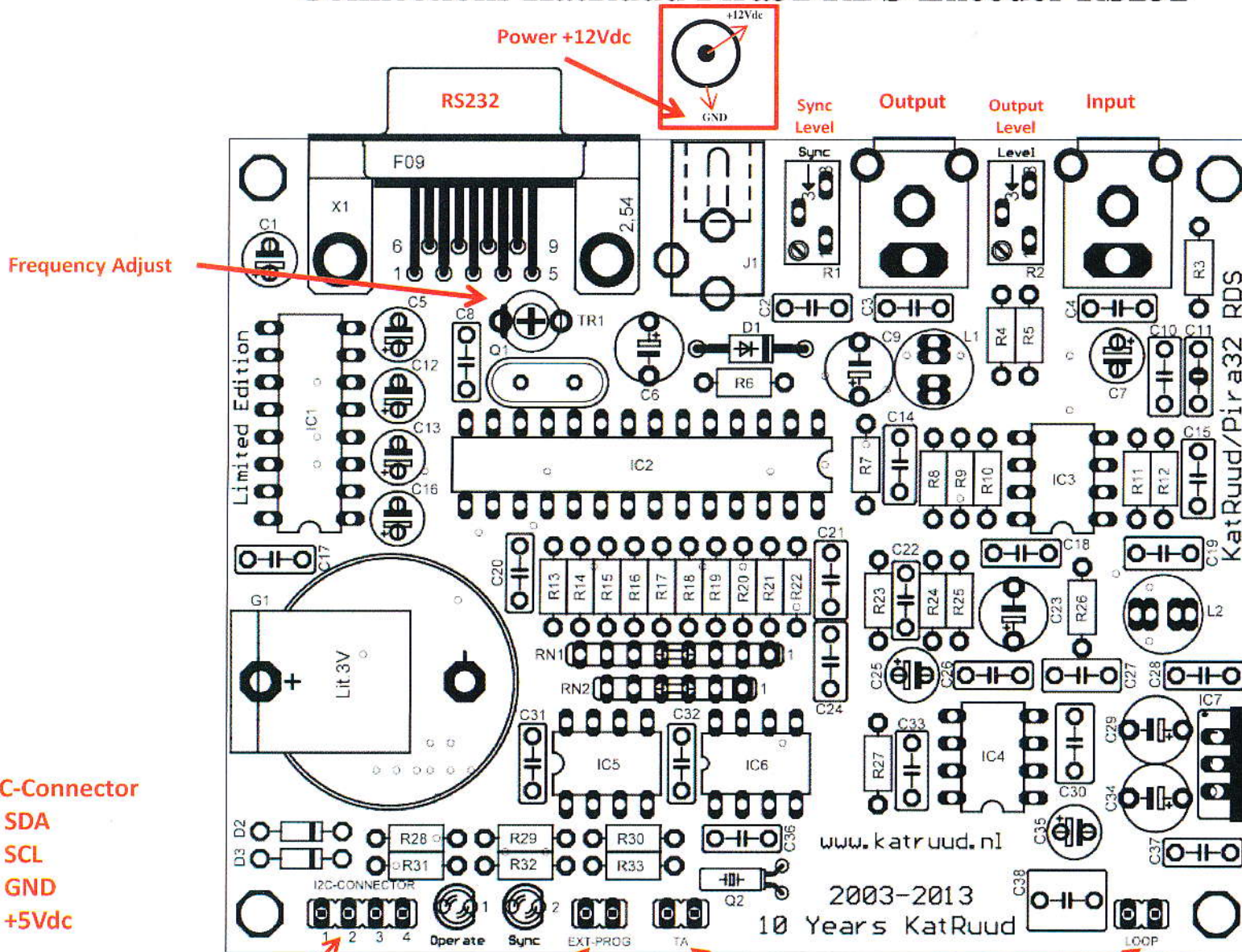
# KatRuud Special Products

2003-2013, 10 Years KatRuud



www.katruud.nl

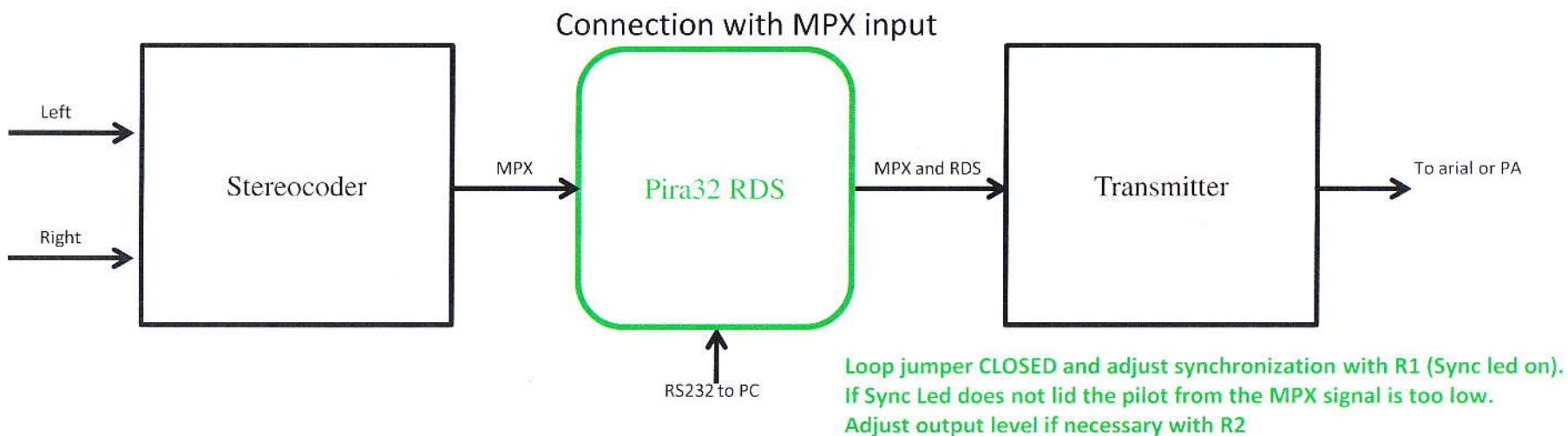
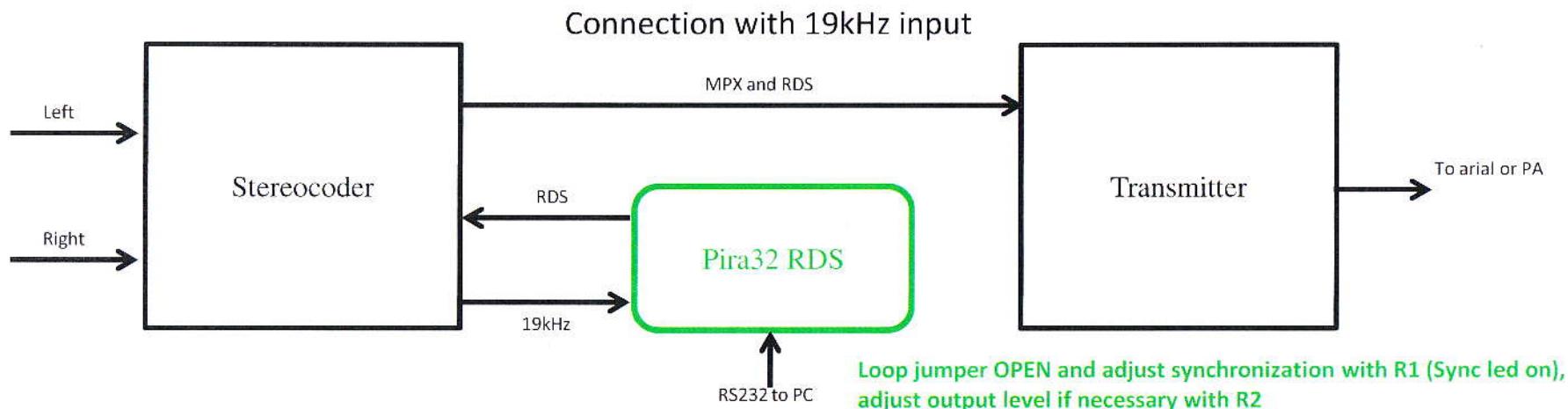
## Connections KatRuud Pira32 RDS-Encoder RS232



Dimensions PCB: 9.6 x 7.62 cm

Limited Edition

# Connections KatRuud Pira32 RDS (RS232)



Adjustments of the Synchronization are ideally done with an oscilloscope or else  
adjust for minimum sound distortion.

Output level of the RDS should be about 4-6% of the total (MPX+RDS),  
total deviation may not be more than 75 kHz.