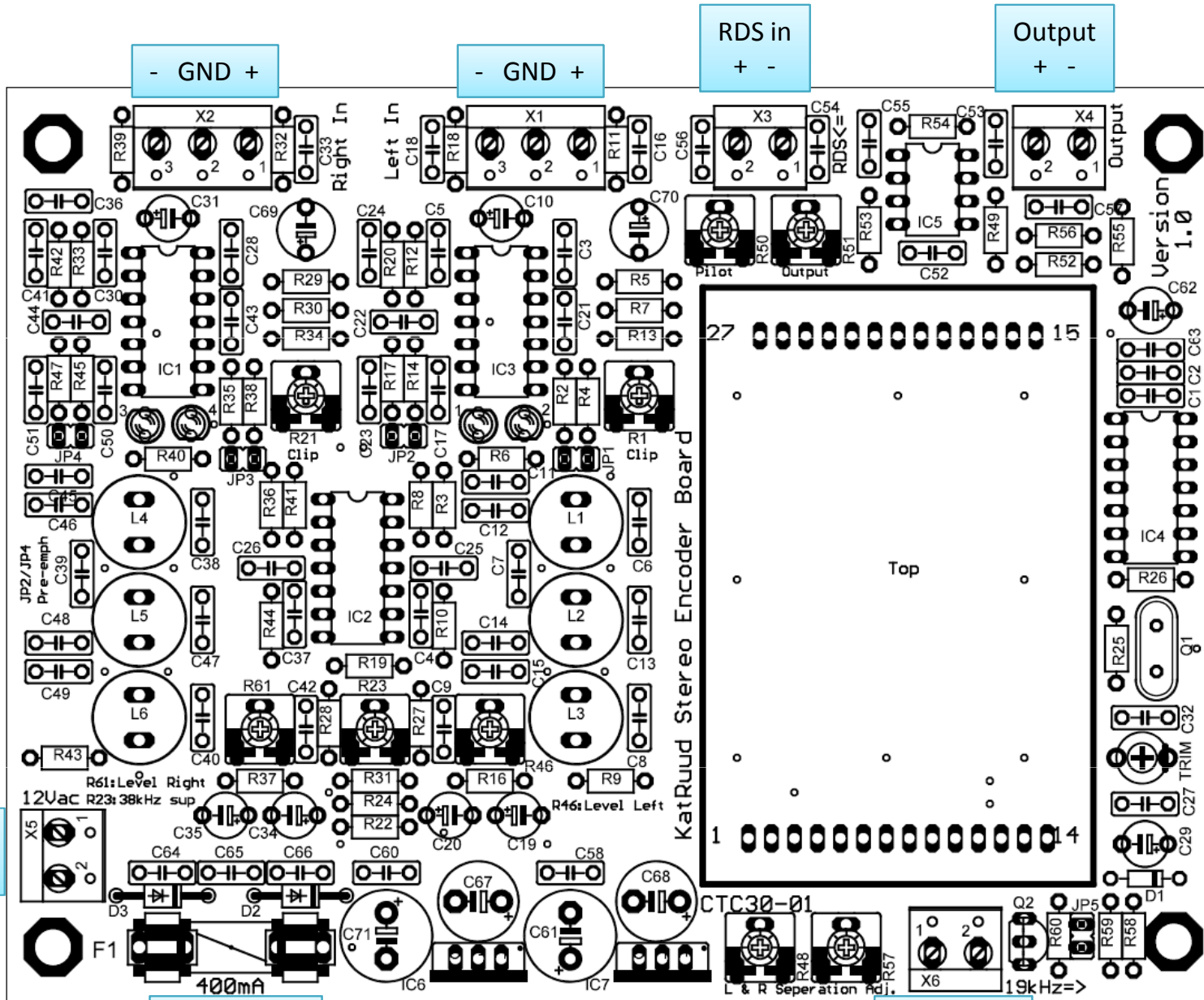


# KatRuud CTC Stereocoder



Left:  
 JP1: Audio Clipper On  
 R1: Clip Level  
 JP2: Pre-Emphasis  
 (Open is On)  
 R46: Audio Level CTC In

Right:  
 JP3: Audio Clipper On  
 R21: Clip Level  
 JP4: Pre-Emphasis  
 (Open is On)  
 R61: Audio Level CTC In

R23: 38kHz Suppression

R50: Pilot Level  
 R51: Output Level

12-14 Vac  
 In

400-500mA

R48 and R57:  
 Separation  
 (kanaalscheiding)

+ -  
 19kHz Out

JP5:  
 Test Jumper  
 CTC Module OFF  
 Do not use