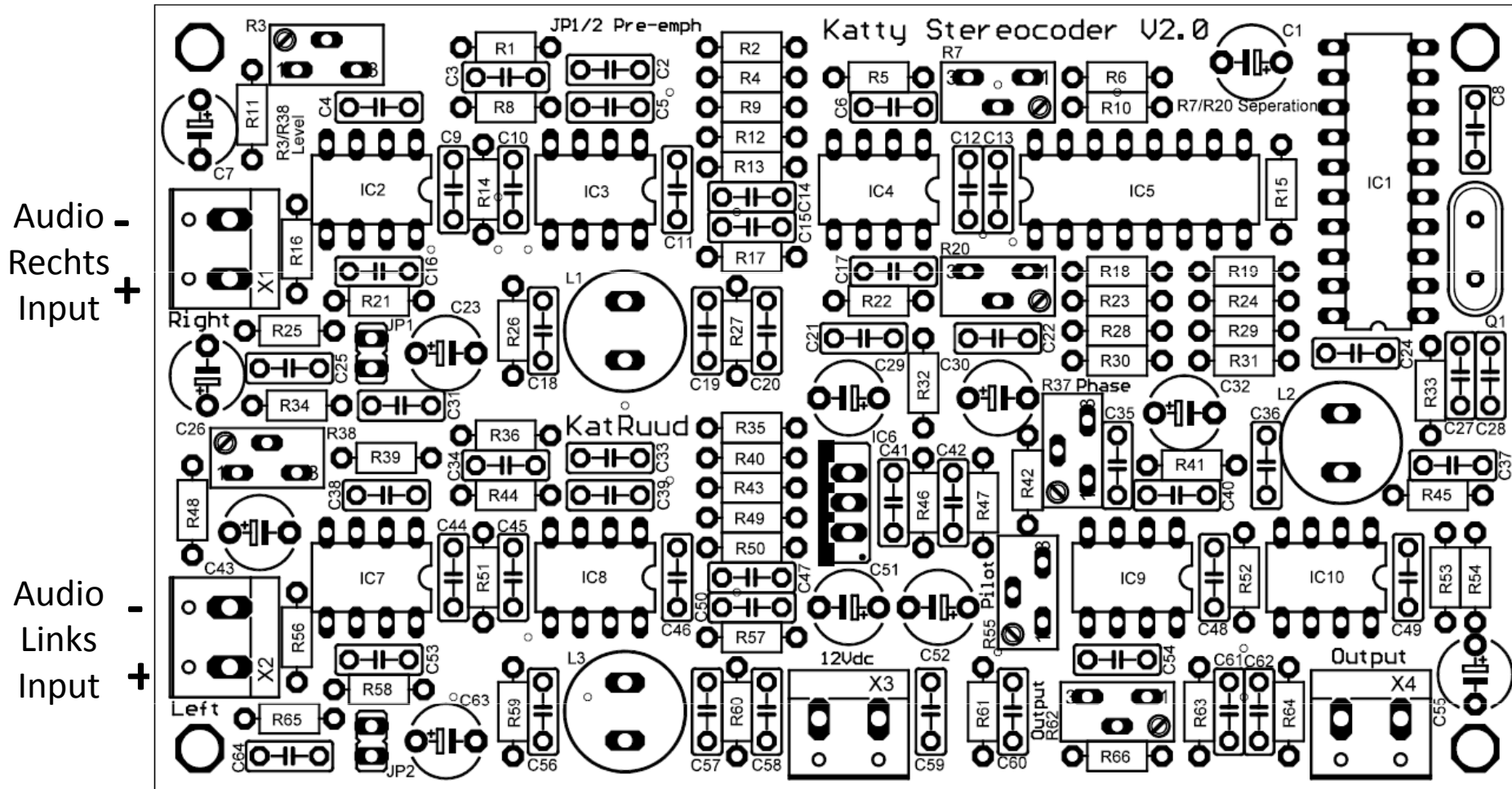


Aansluitingen Katty Stereocoder V2.0

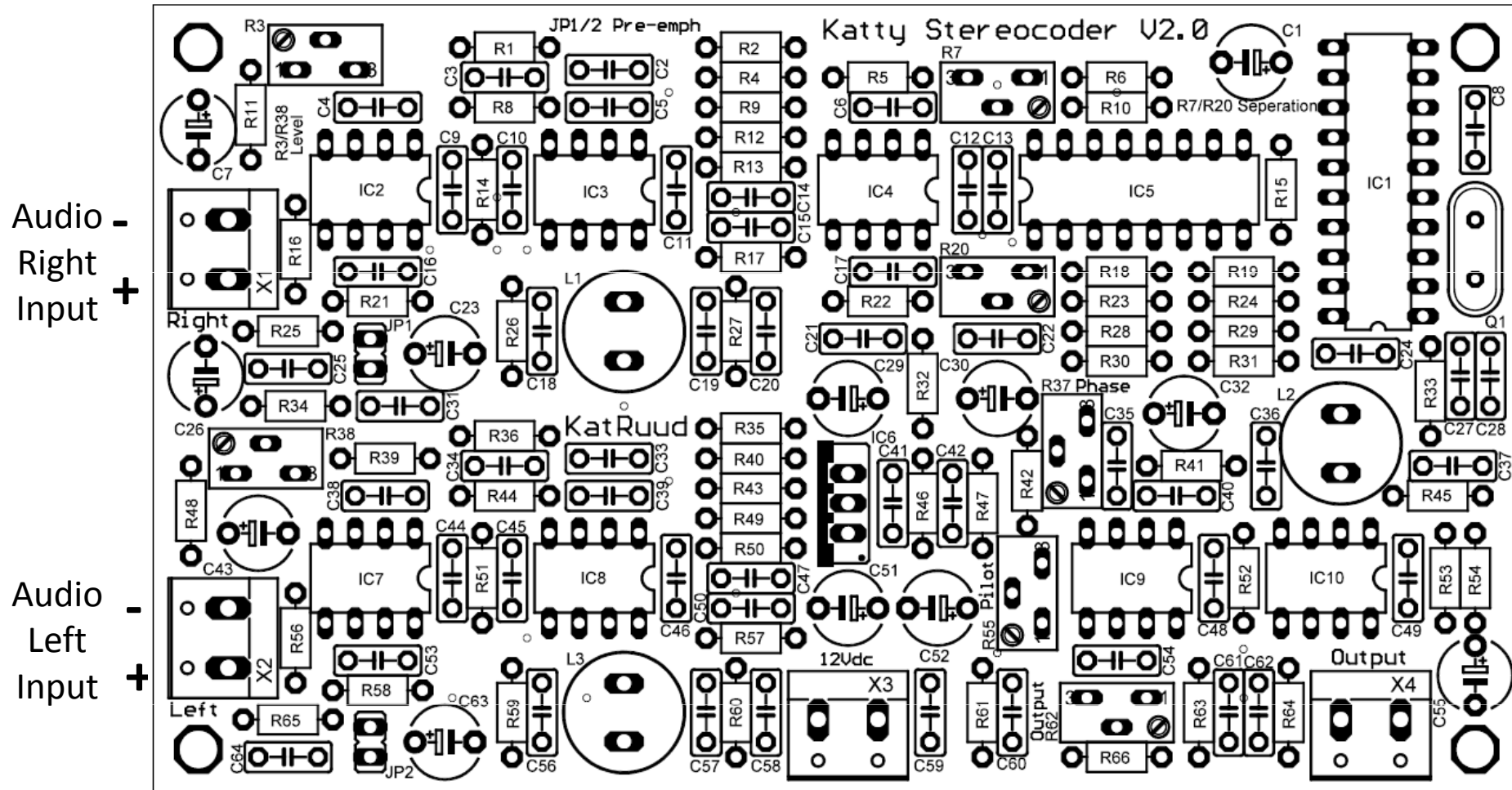


- R3= Audio Level Rechts
- R38= Audio Level Links
- R7, R20= Kanaalscheiding
- R37=Pilot Fase
- R55= Pilot Level
- R62= MPX Uitgang Level

- +
+12Vdc
Power

+ -
MPX
Output

Connections Katty Stereocoder V2.0



Audio -
Right Input +

Audio -
Left Input +

- +
+12Vdc
Power

+ -
MPX
Output

- R3= Audio Level Right
- R38= Audio Level Left
- R7, R20= Separation
- R37=Pilot Phase
- R55= Pilot Level
- R62= MPX Output Level