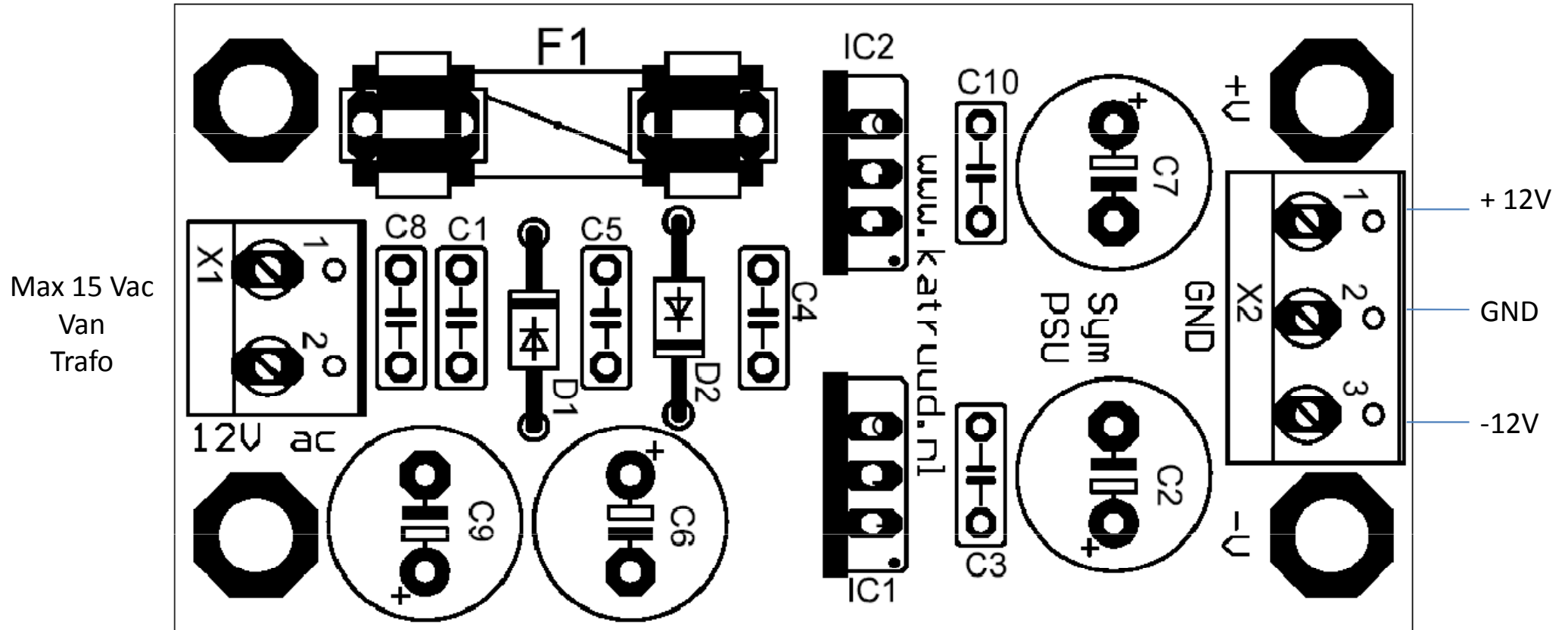
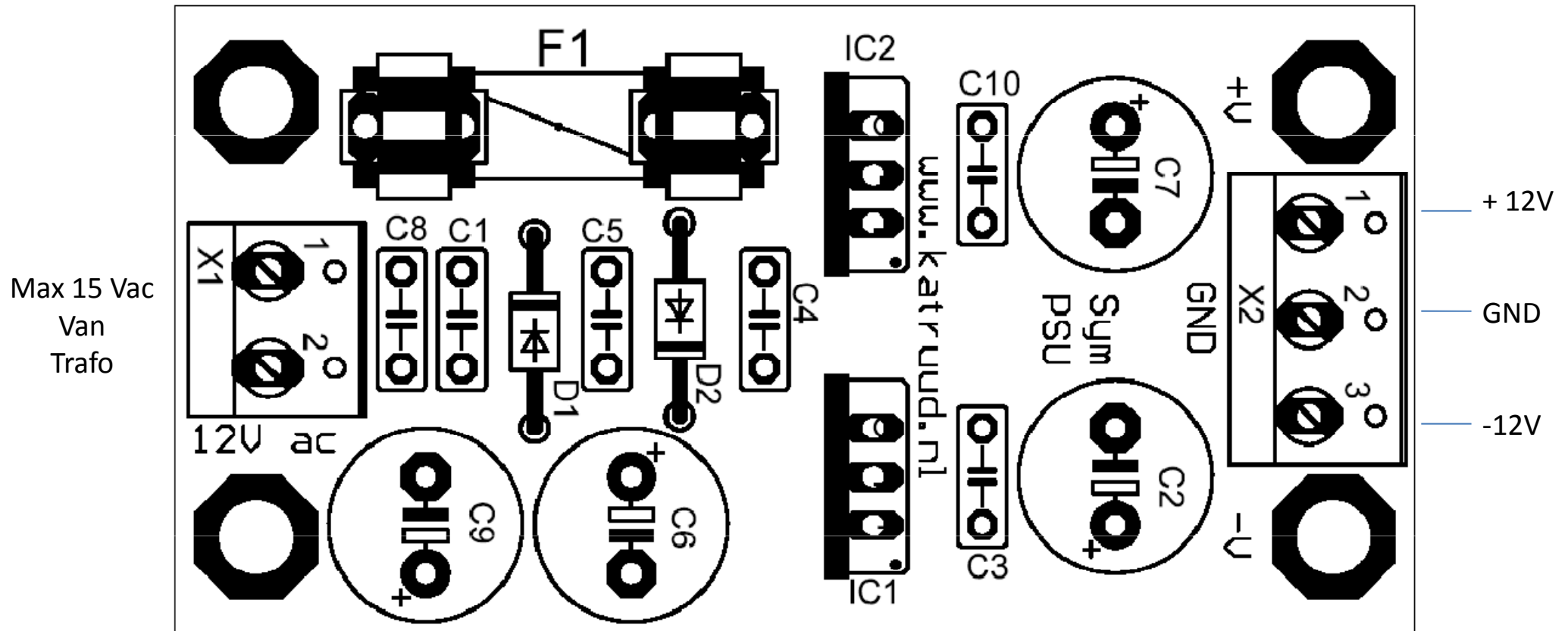


KatRuud Symetrische Voeding



KatRuud Symetrische Voeding DIY



D1, D2 = 1N400X

C1, C5, C8 = 47n

C3, C4, C10 = 100n

C6, C9 = 470u/35V (minimum)

C2, C7 = 220u/35V (25V)

IC1 = 7912, IC2 = 7812

F1 = Fuse holder + Fuse 500mA (1A max)

X1 = 2 pole print connector

X2 = 3 pole print connector

Sym PSU PCB