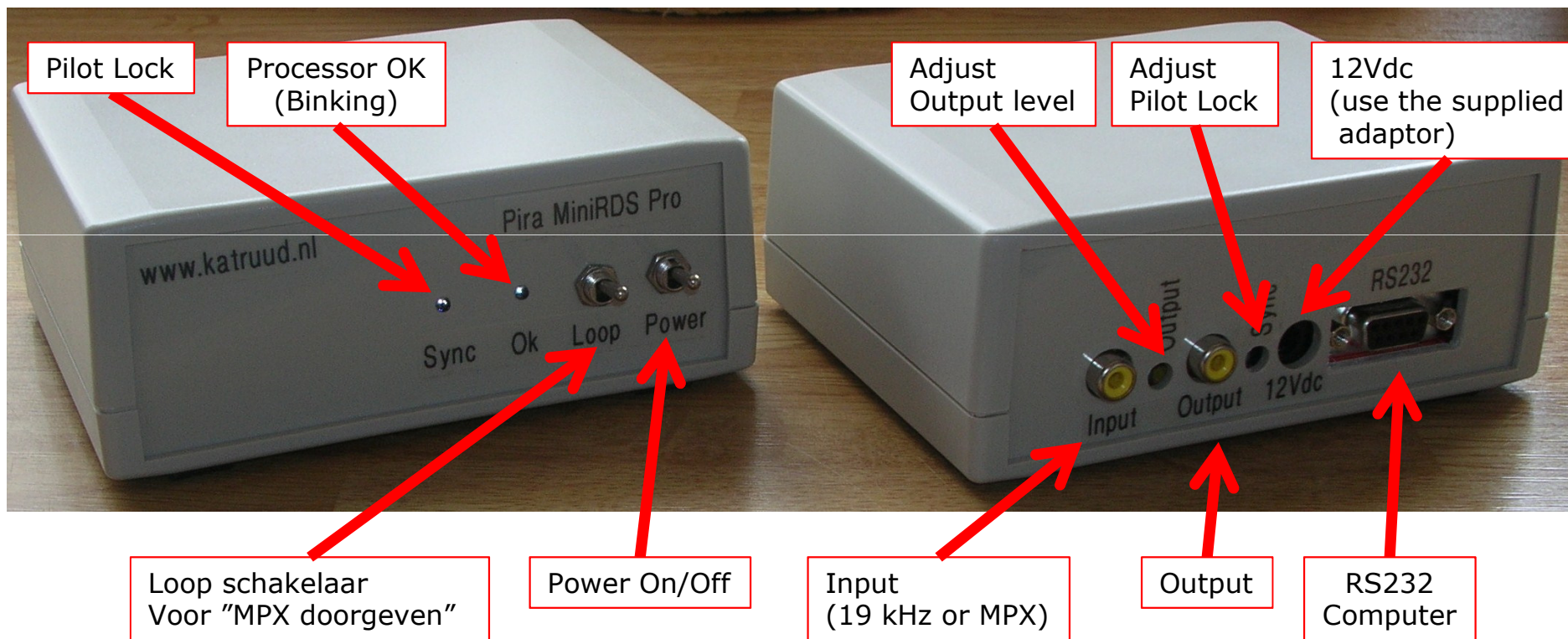


## Connections KatRuud Pira MiniRDS Pro

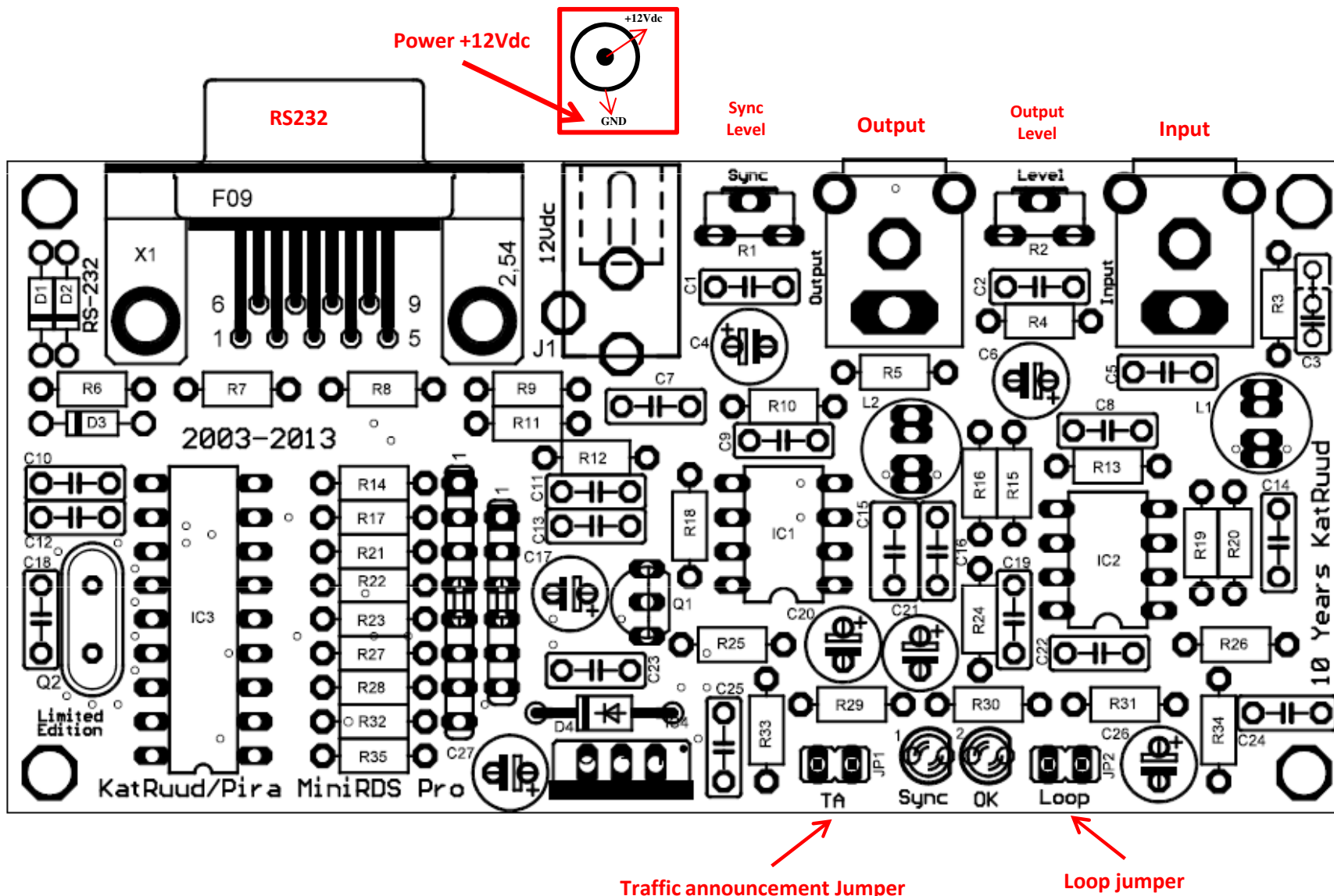


Software: [http://www.katruud.nl/katruud\\_site/10\\_years/januari/KatRuud\\_Pira\\_minirds\\_V1.2b.zip](http://www.katruud.nl/katruud_site/10_years/januari/KatRuud_Pira_minirds_V1.2b.zip)

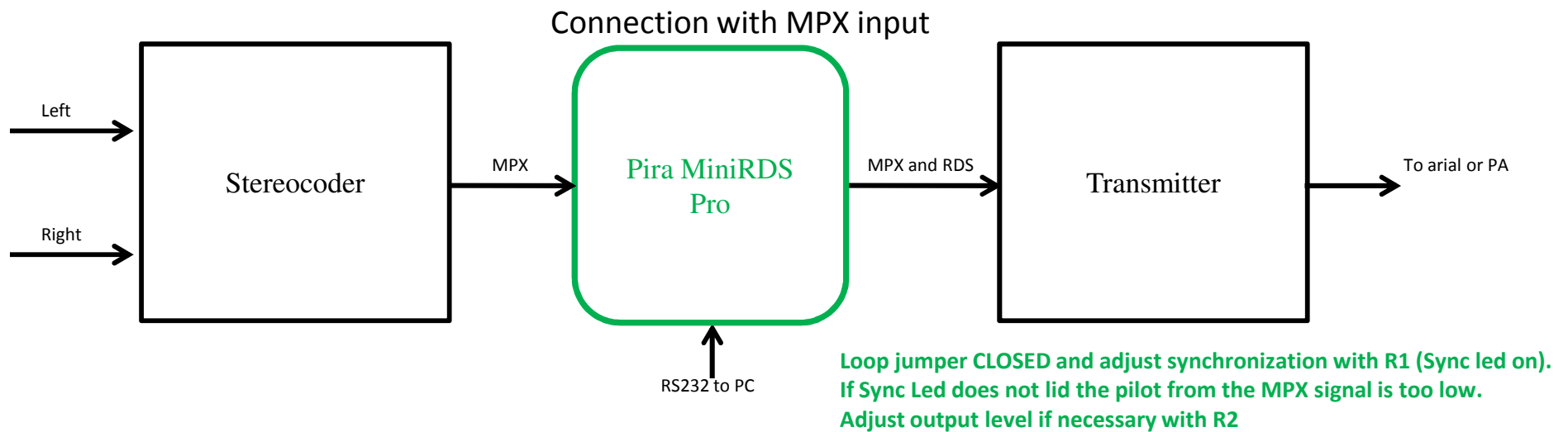
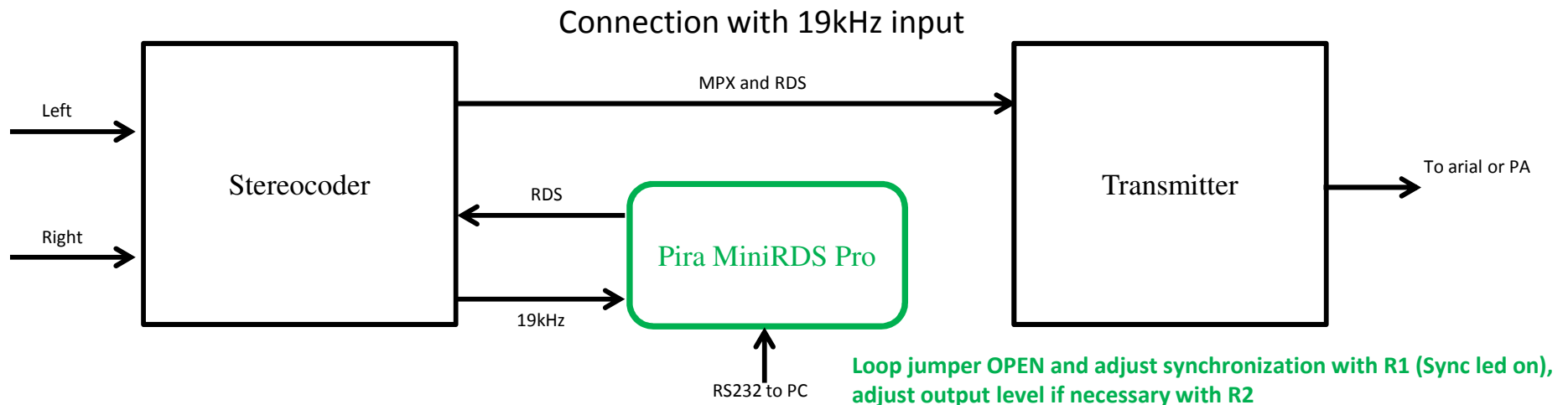
Delivered with the NEW LOGO Sticker



## Connections KatRuud Pira MiniRDS Pro



# Connections KatRuud Pira MiniRDS Pro



Adjustments of the Synchronization are ideally done with an oscilloscope or else  
adjust for minimum sound distortion.

Output level of the RDS should be about 4-6% of the total (MPX+RDS),  
total deviation may not be more than 75 kHz.