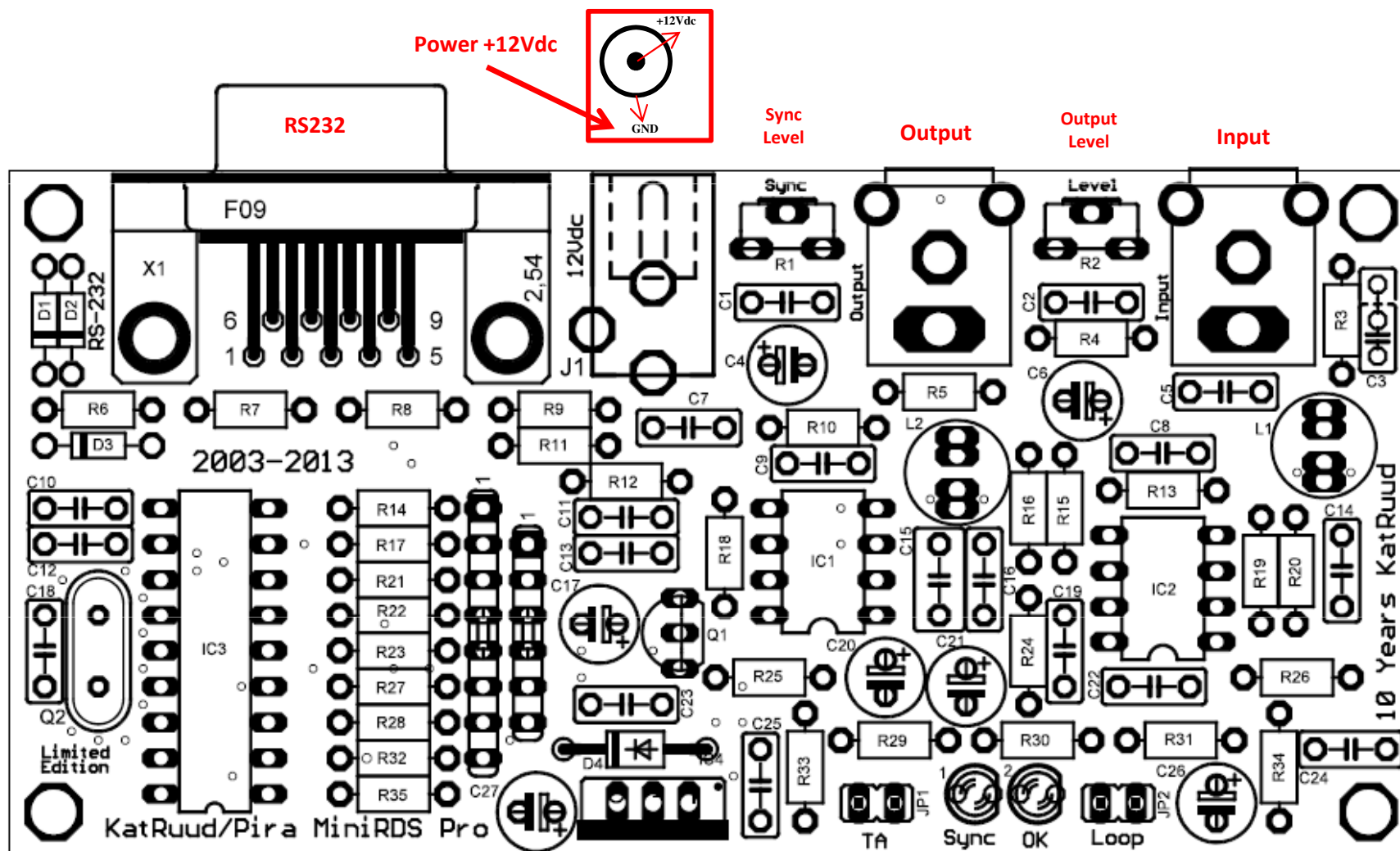


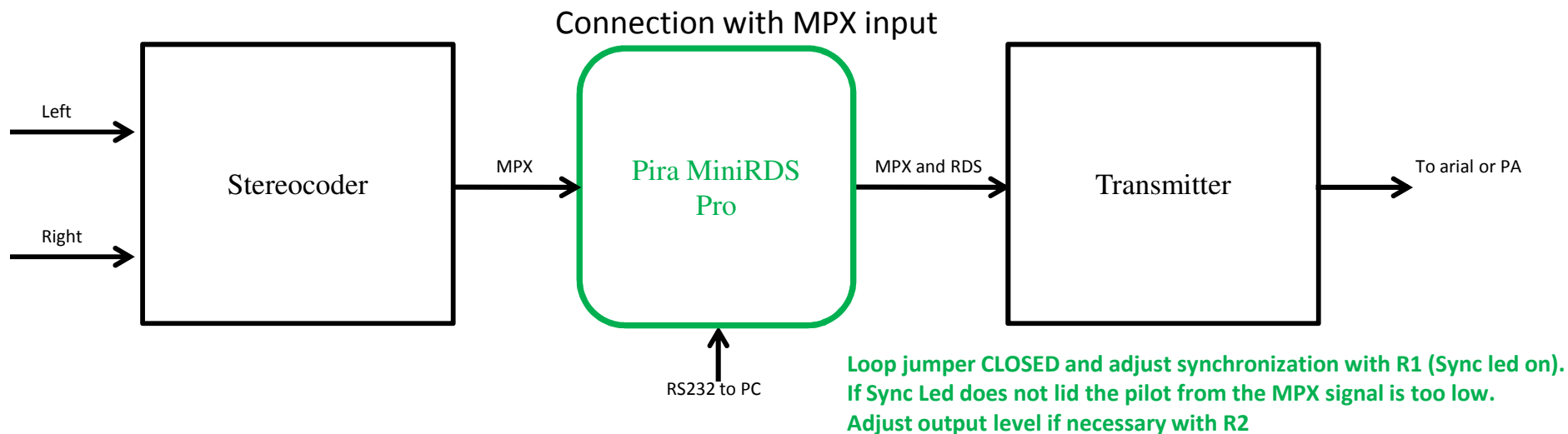
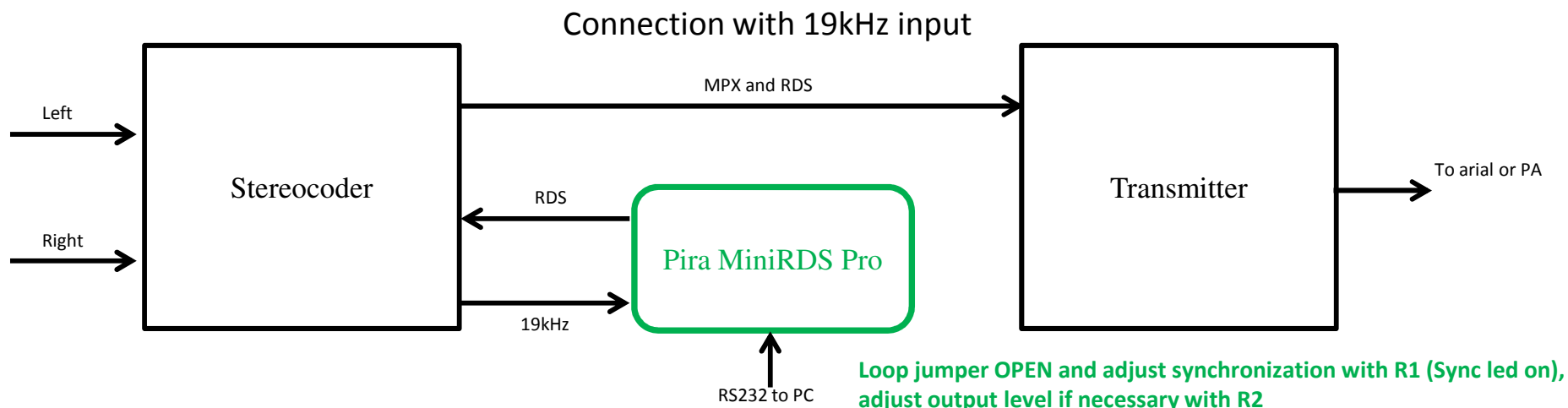
Aansluitingen KatRuud Pira MiniRDS Pro



Traffic announcement Jumper

Loop jumper

Connections KatRuud Pira MiniRDS Pro



Adjustments of the Synchronization are ideally done with an oscilloscope or else adjust for minimum sound distortion.

Output level of the RDS should be about 4-6% of the total (MPX+RDS), total deviation may not be more than 75 kHz.