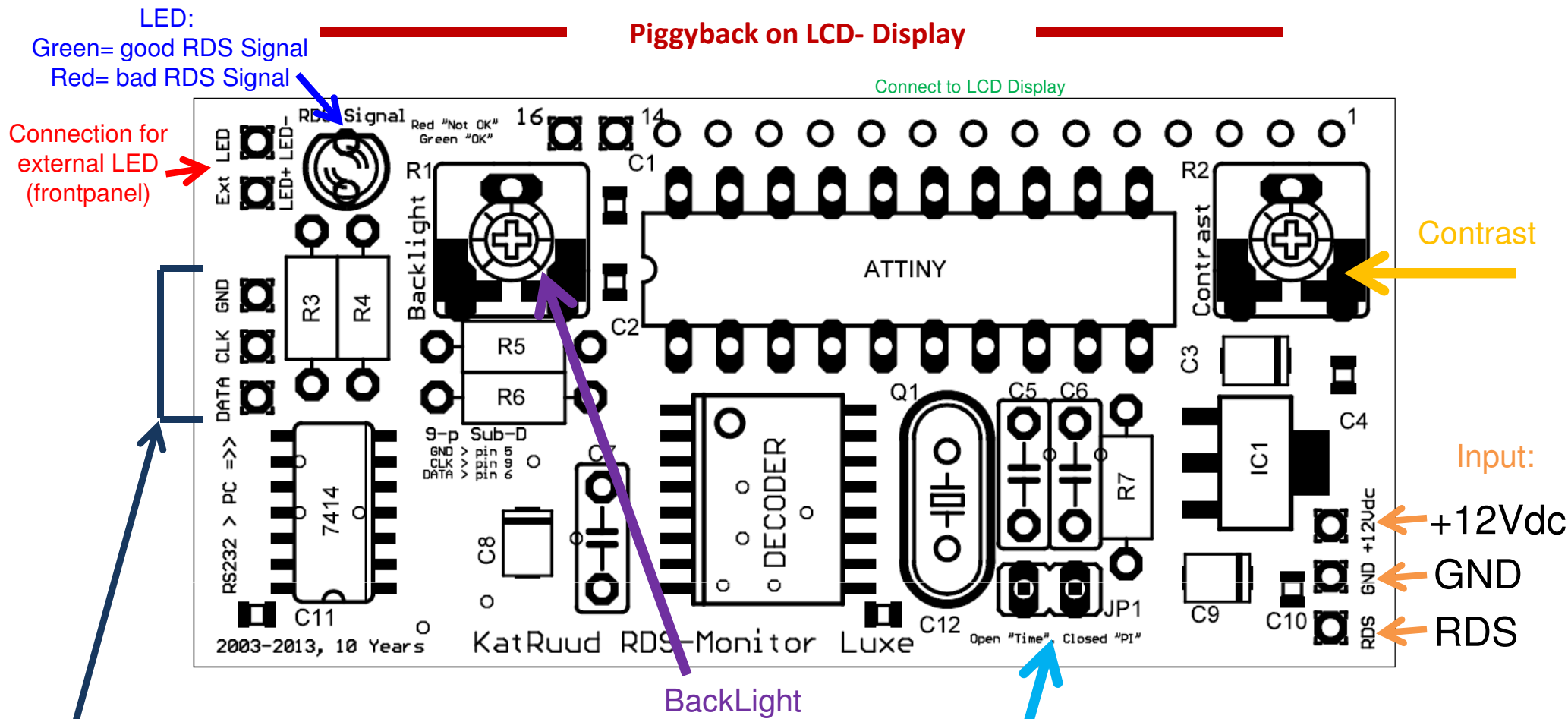


Aansluitingen KatRuud RDS-monitor Luxe



Possibility to connect the monitor to your computer (RS232).
Used with the ESSLINGER software you can decode
the RDS signal on your computer.

Connections PCB to RS232 (9-pole Sub-D):

- GND => pin 5
- CLK => pin 9
- DATA => pin 6