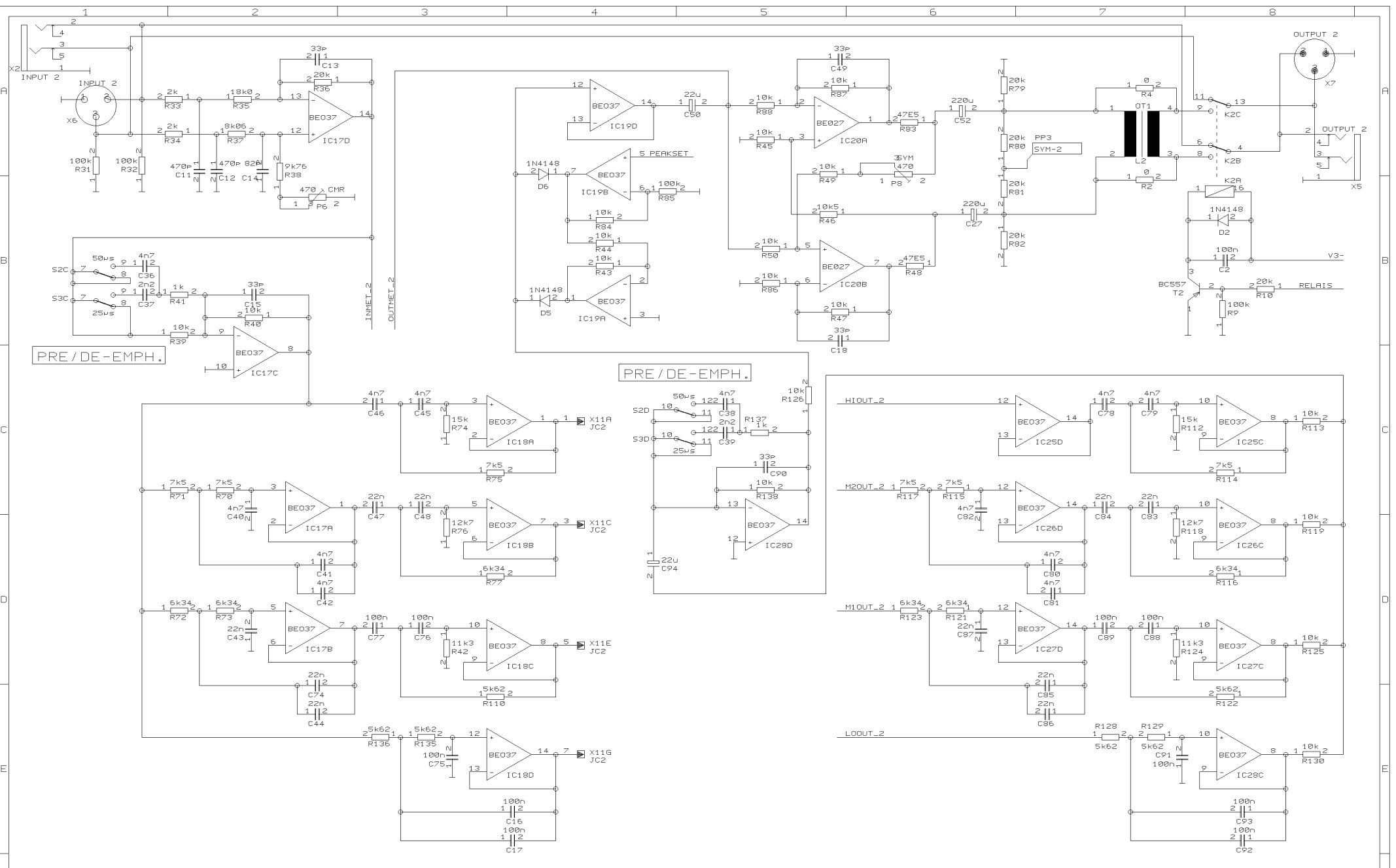


**MUZIK ELEKTRONIX
PRIVATE COLLECTION**

REVISIONS		
DRAWN	CHECKED	DATE 16.02. 1 9:30

BEHRINGER®
Specialized Studio Equipment

PROJECT
MDX8000BCOMBINATOR
IN/OUT/FILTER SECTION
Channel 1
SHEET 1 OF 12 SHEETS TOTAL

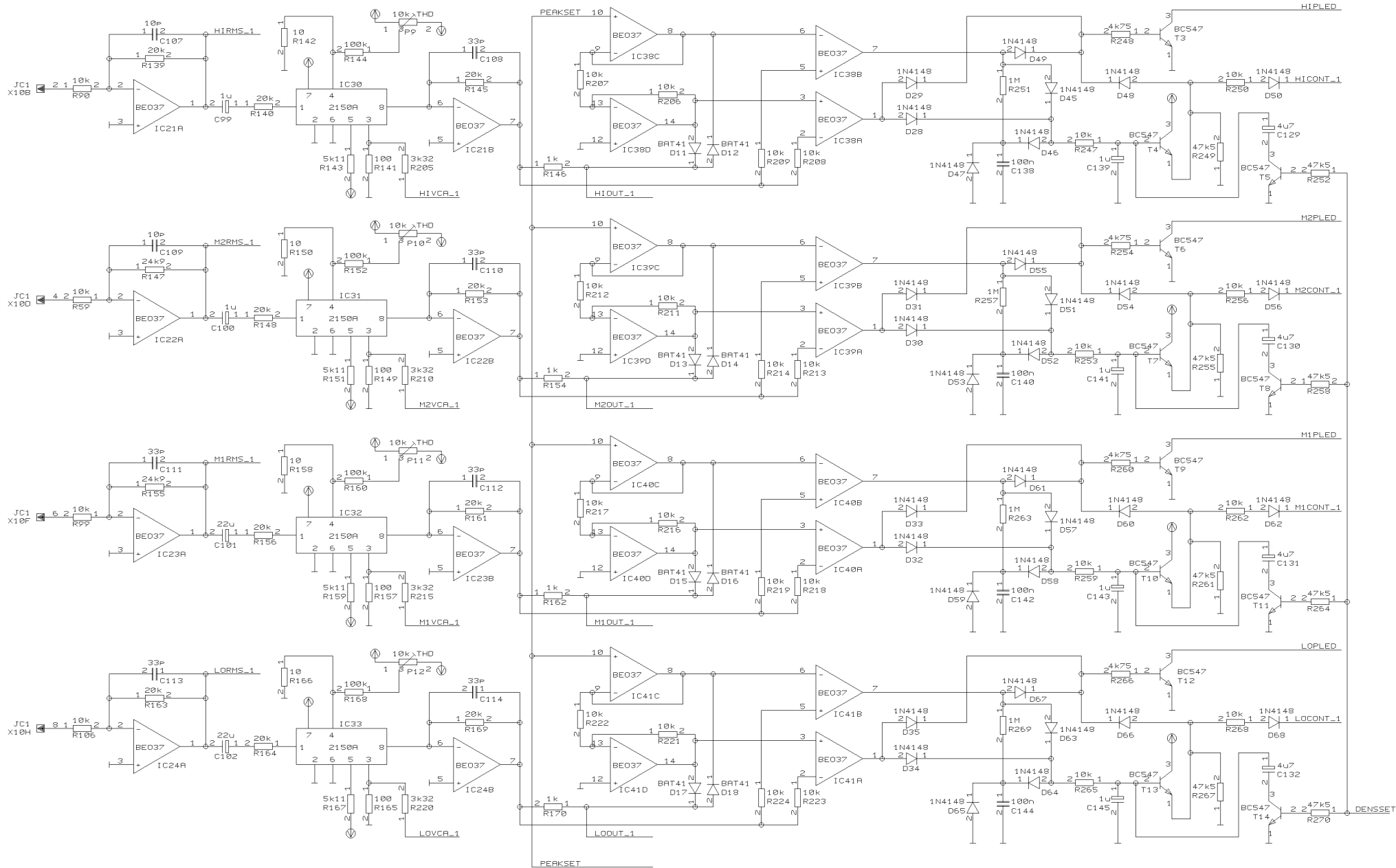


REVISIONS

DRAWN	CHECKED	DATE 16.02. 1 9:30
-------	---------	-----------------------



PROJECT
MDX8000BCOMBINATOR
IN/OUT/FILTER SECTION
Channel 2
SHEET 2 OF 12 SHEETS TOTAL



REVISIONS

DRAWN

CHECKED

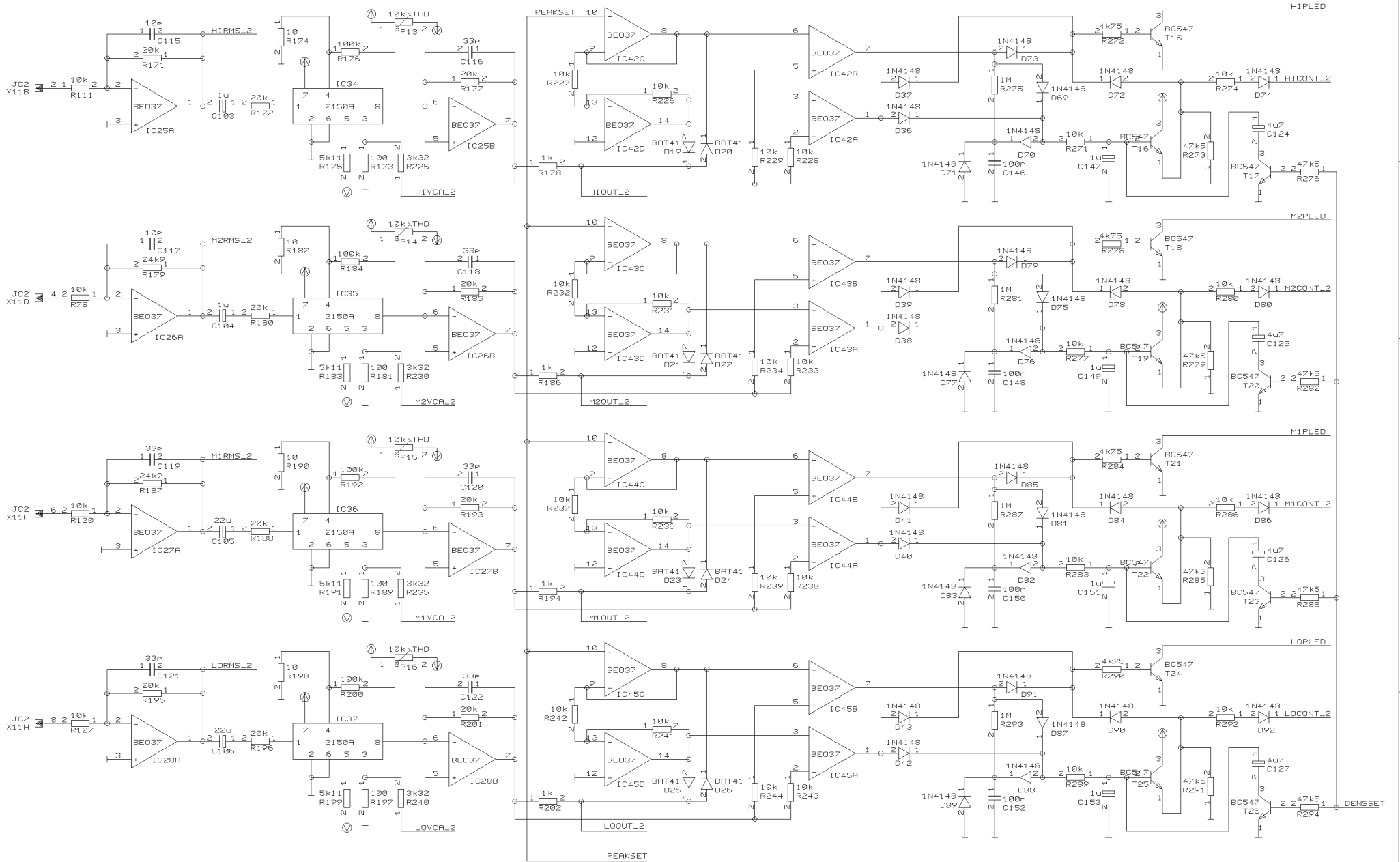
DATE 16.02.1
9:30



Specialized Studio Equipment

PROJECT
MDX8000BCOMBINATOR
PEAK LIM./VCA SECTION
CHANNEL 1

SHEET 3 OF 12 SHEETS TOTAL

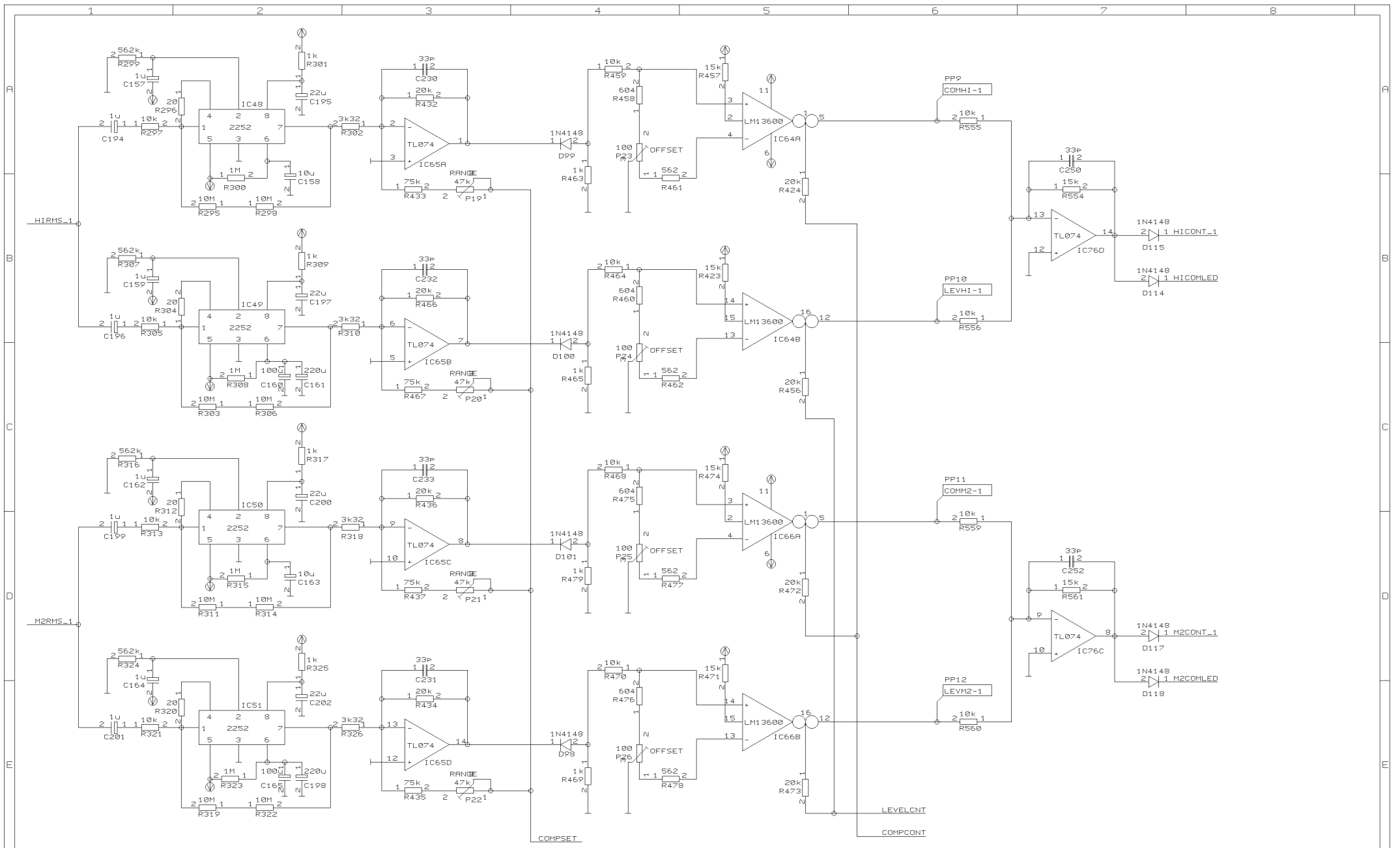


REVISIONS

DRAWN	CHECKED	DATE 16.02. 1 9:30
-------	---------	-----------------------



PROJECT
MDX8000BCOMBINATOR
PEAK LIM./VCA SECTION
CHANNEL 2
SHEET 4 OF 12 SHEETS TOTAL



REVISIONS

DRAWN

CHECKED

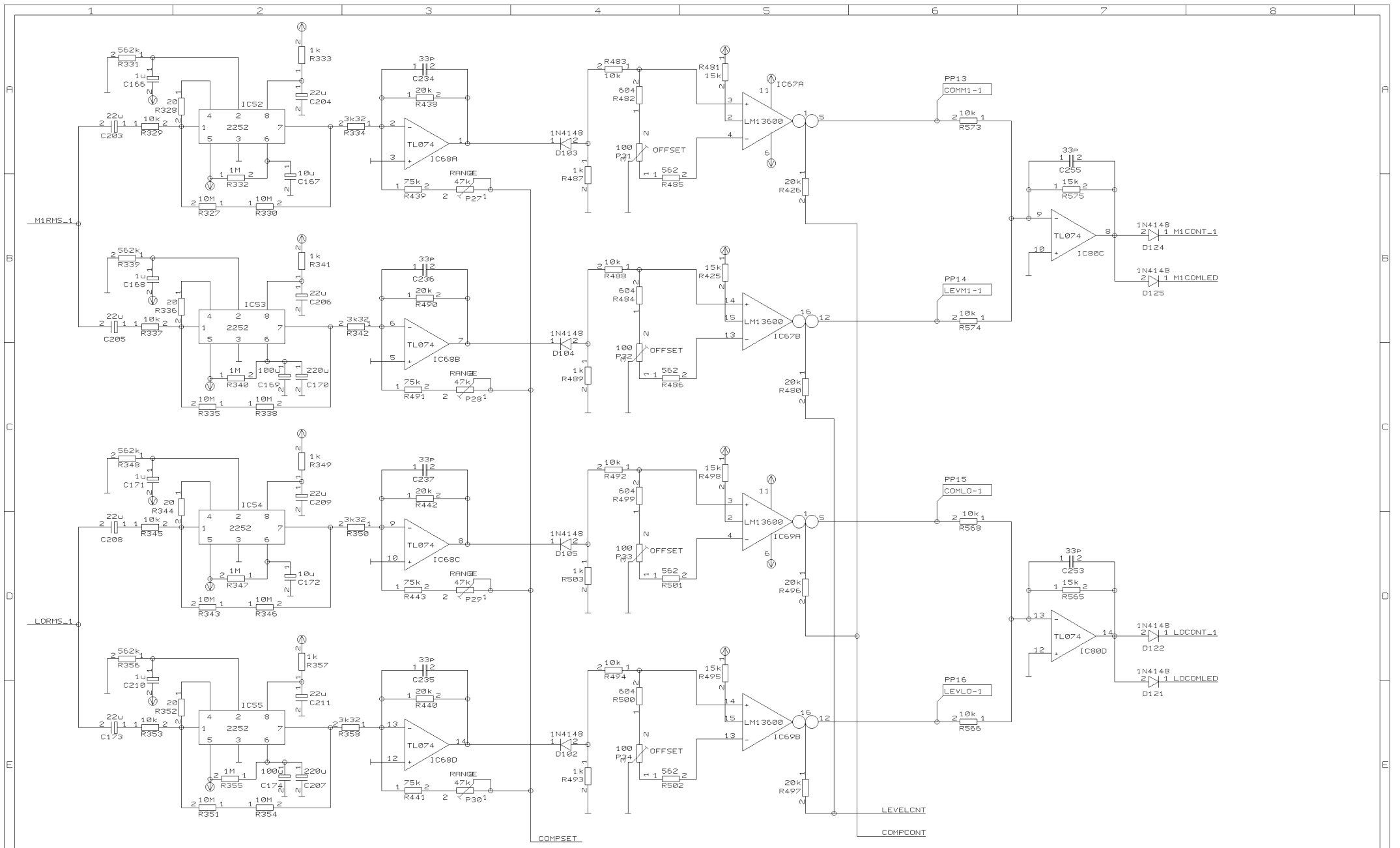
DATE 16.02. 1
9:30

BEHRINGER®

Specialized Studio Equipment

PROJECT
MDX8000B COMBINATOR
HI/M2 RMS SECTION
CHANNEL 1

SHEET 5 OF 12 SHEETS TOTAL



REVISIONS

DRAWN

CHECKED

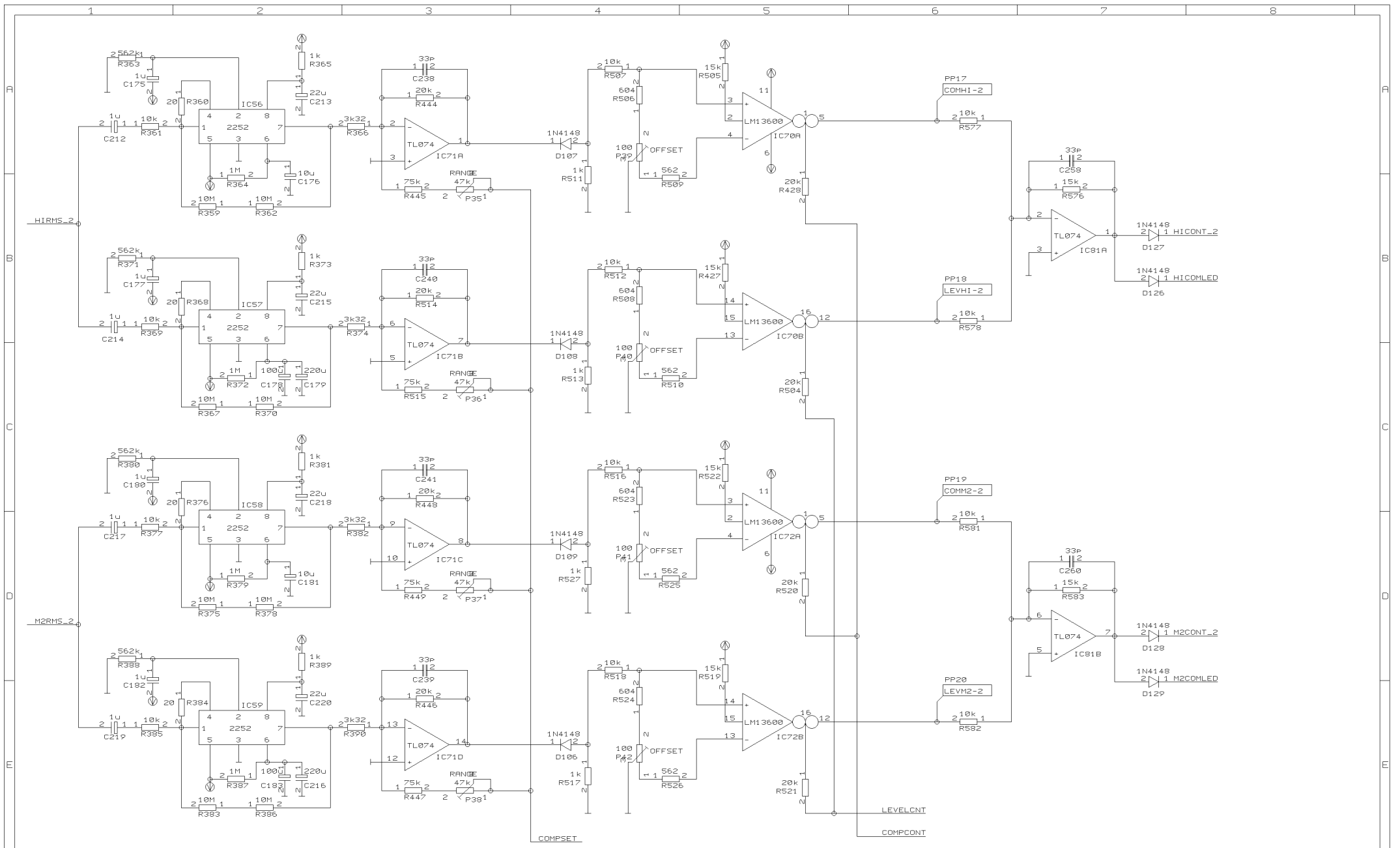
DATE 16.02. 1
9:30

BEHRINGER®

Specialized Studio Equipment

PROJECT
MDX8000B COMBINATOR
LO/M1 RMS SECTION
CHANNEL 1

SHEET 6 OF 12 SHEETS TOTAL



REVISIONS

DRAWN

CHECKED

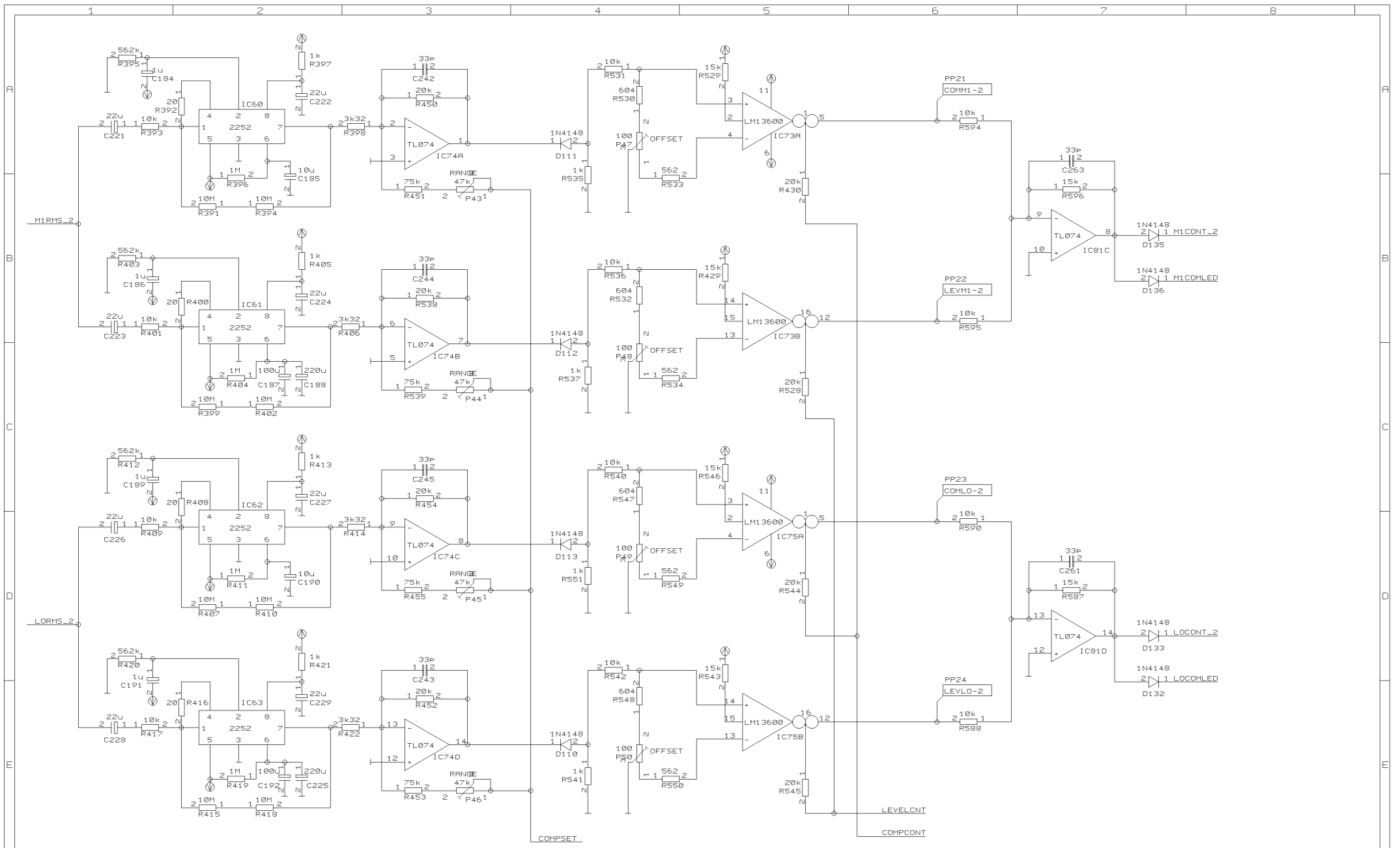
DATE 16.02. 1
9:30



Specialized Studio Equipment

PROJECT
MDX8000B COMBINATOR
HI/M2 RMS SECTION
CHANNEL 2

SHEET 7 OF 12 SHEETS TOTAL



REVISIONS

DRAWN

CHECKED

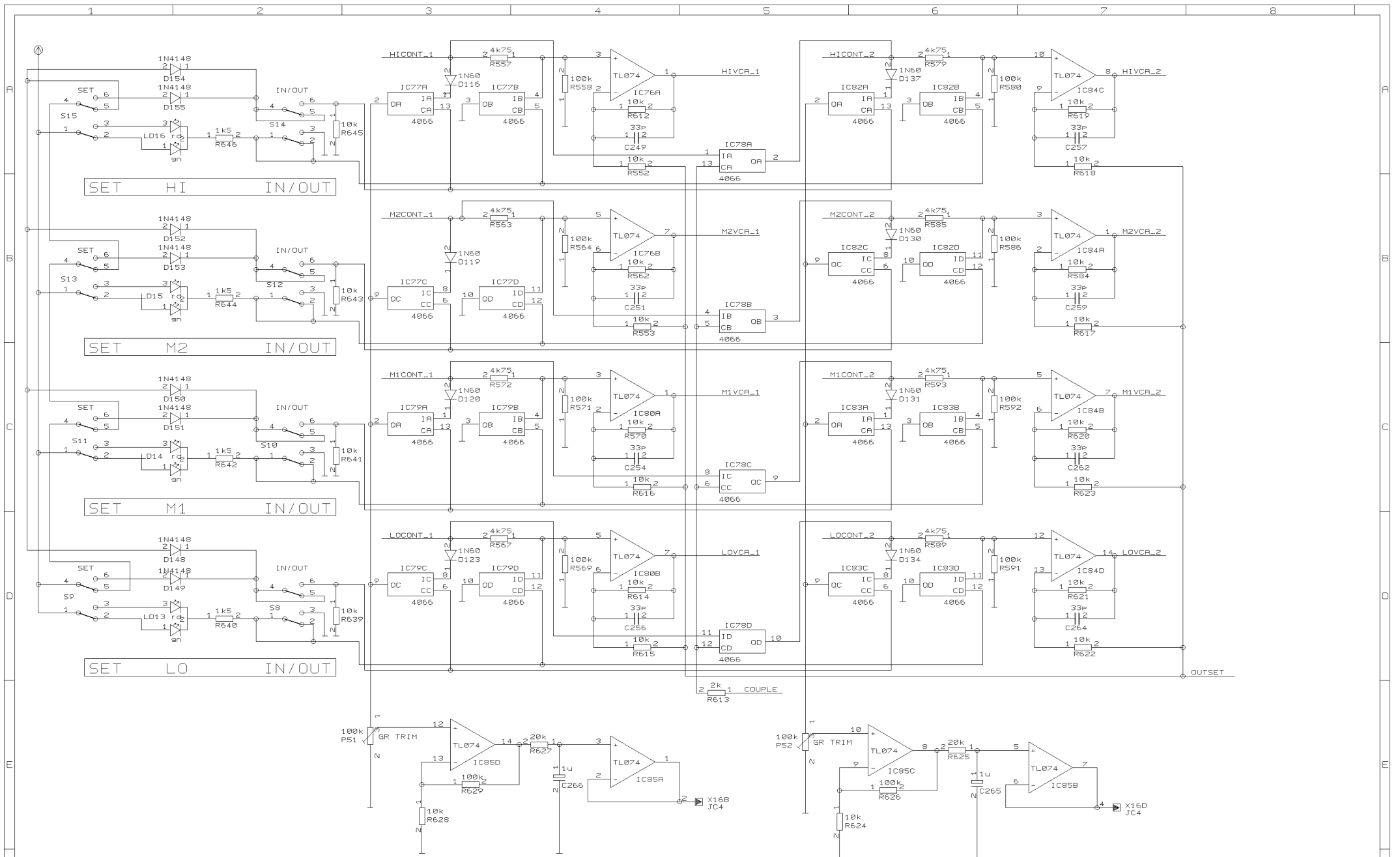
DATE 16.02. 1
9:30

BEHRINGER®

Specialized Studio Equipment

PROJECT
MDX8000B COMBINATOR
L0/M1 RMS SECTION
CHANNEL 2

SHEET 8 OF 12 SHEETS TOTAL



REVISIONS

DRAWN

CHECKED

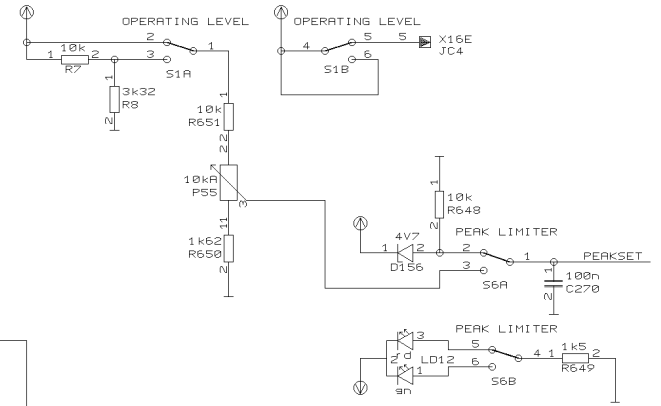
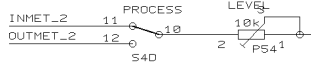
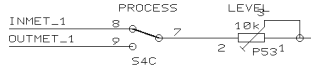
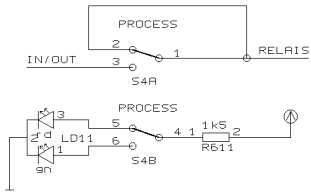
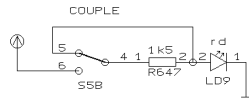
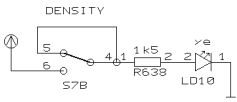
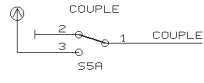
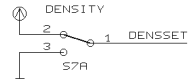
DATE 16.02. 1
9:31



Specialized Studio Equipment

PROJECT
MDX8000B COMBINATOR
SET/LINK SECTION
CHANNEL 1 + 2

SHEET 9 OF 12 SHEETS TOTAL



HIPLD 9 X10I JC1

M2PLD 10 X10J JC1

M1PLD 11 X10K JC1

LOPLD 12 X10L JC1

HICOMLED 9 X11I JC2

M2COMLED 10 X11J JC2

M1COMLED 11 X11K JC2

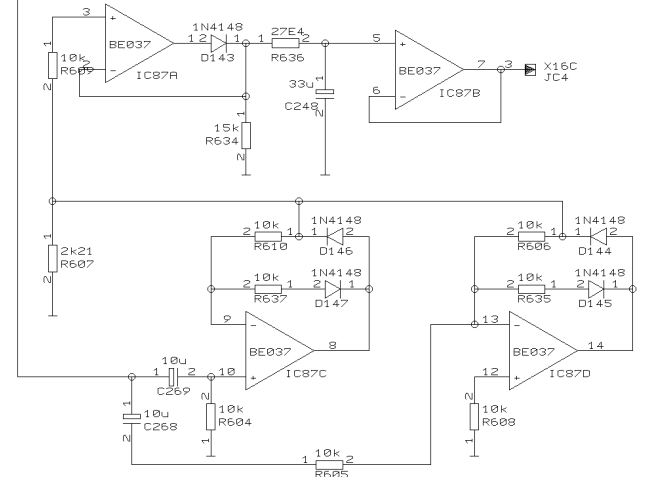
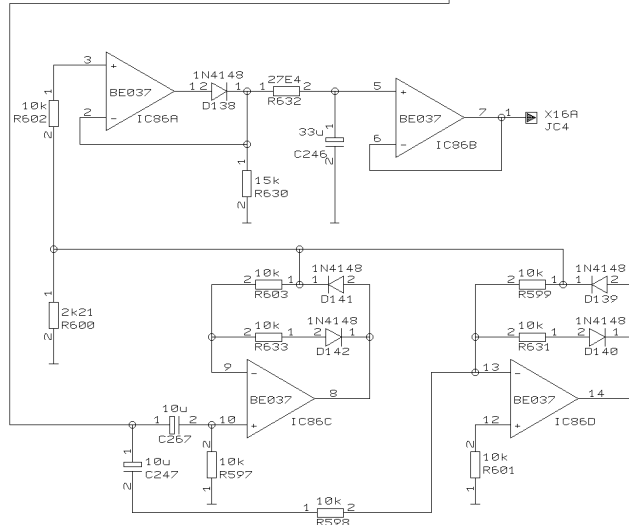
LOCOMLED 12 X11L JC2

COMPSET 1 X17A JC3

COMPCONT 2 X17B JC3

LEVELCNT 3 X17C JC3

OUTSET 4 X17D JC3



REVISIONS

DRAWN

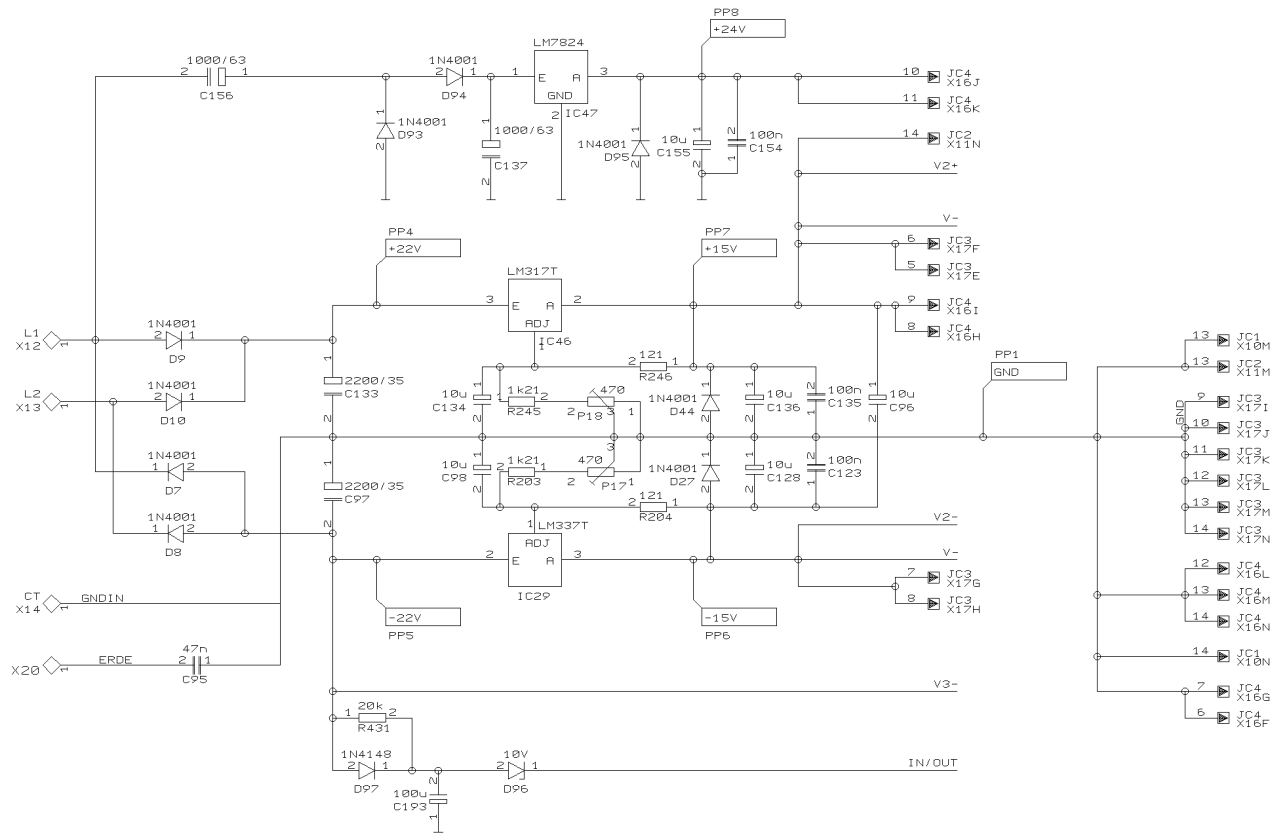
CHECKED

DATE 16.02. 1
9:31



Specialized Studio Equipment

PROJECT
MDX8000B COMBINATOR
INTERCONNECTION
CHANNEL 1 + 2
SHEET 10 OF 12 SHEETS TOTAL



REVISIONS

DRAWN

CHECKED

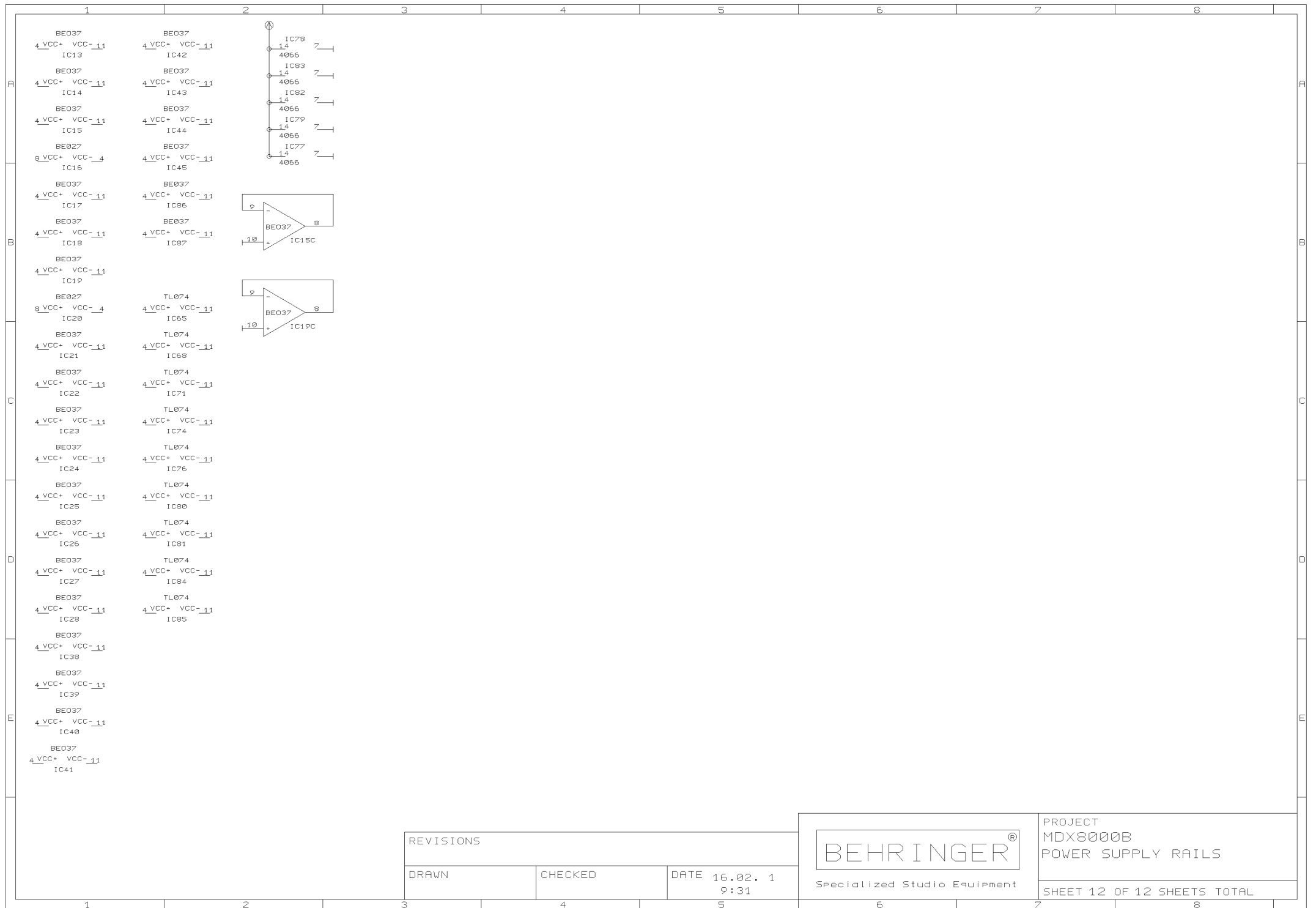
DATE 16.02. 1
9:31



Specialized Studio Equipment

PROJECT
MDX8000B COMBINATOR
POWER SUPPLY
CHANNEL 1 + 2

SHEET 11 OF 12 SHEETS TOTAL



REVISIONS

DRAWN

CHECKED

DATE 16.02. 1
9:31

BEHRINGER®

Specialized Studio Equipment

PROJECT
MDX8000B
POWER SUPPLY RAILS

SHEET 12 OF 12 SHEETS TOTAL