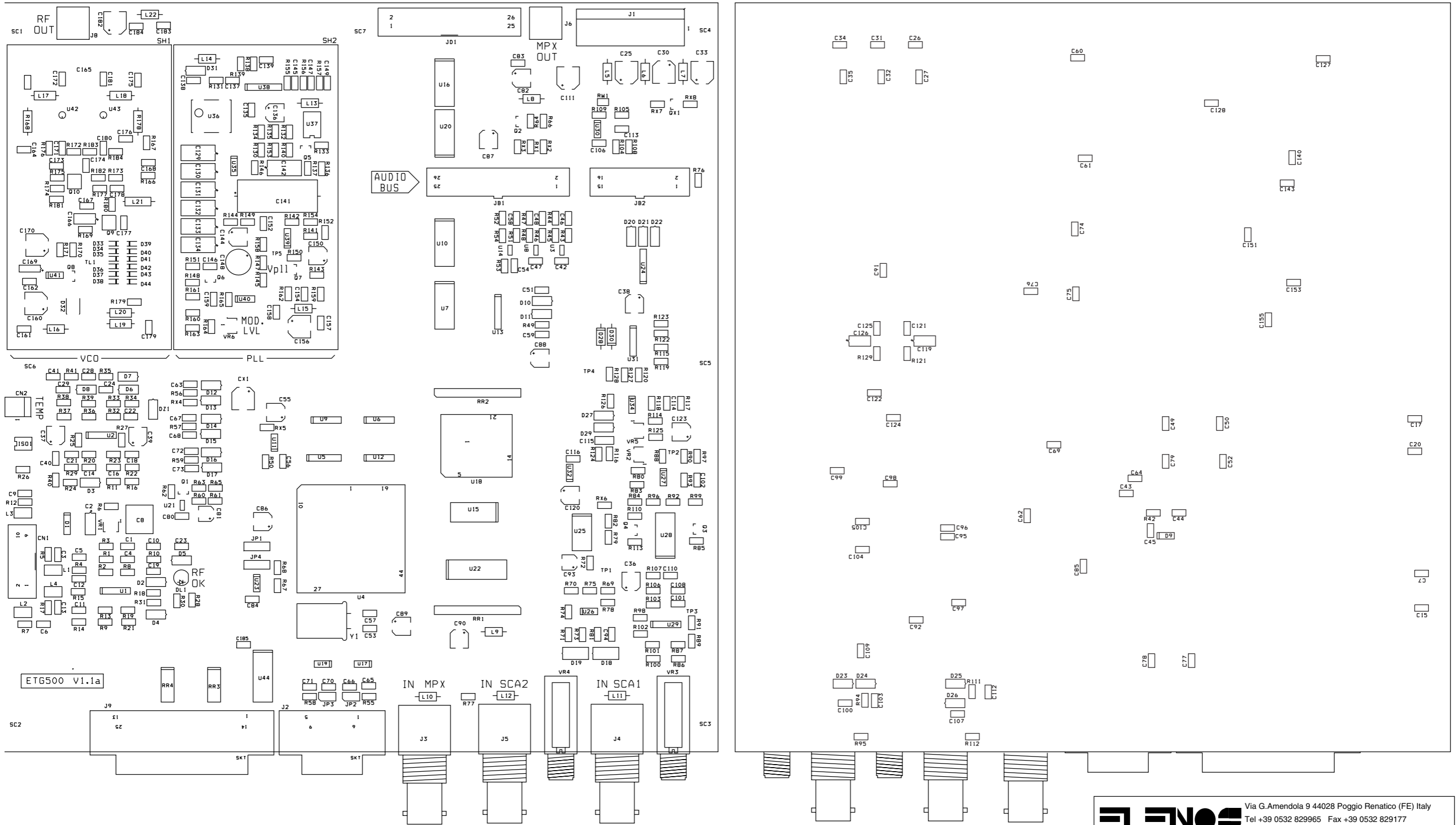

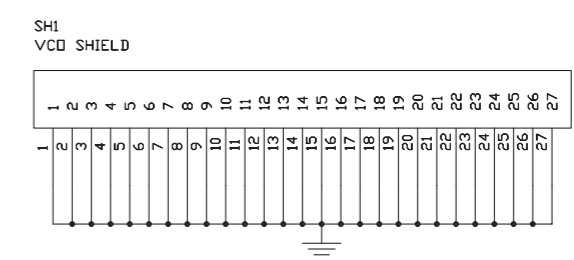
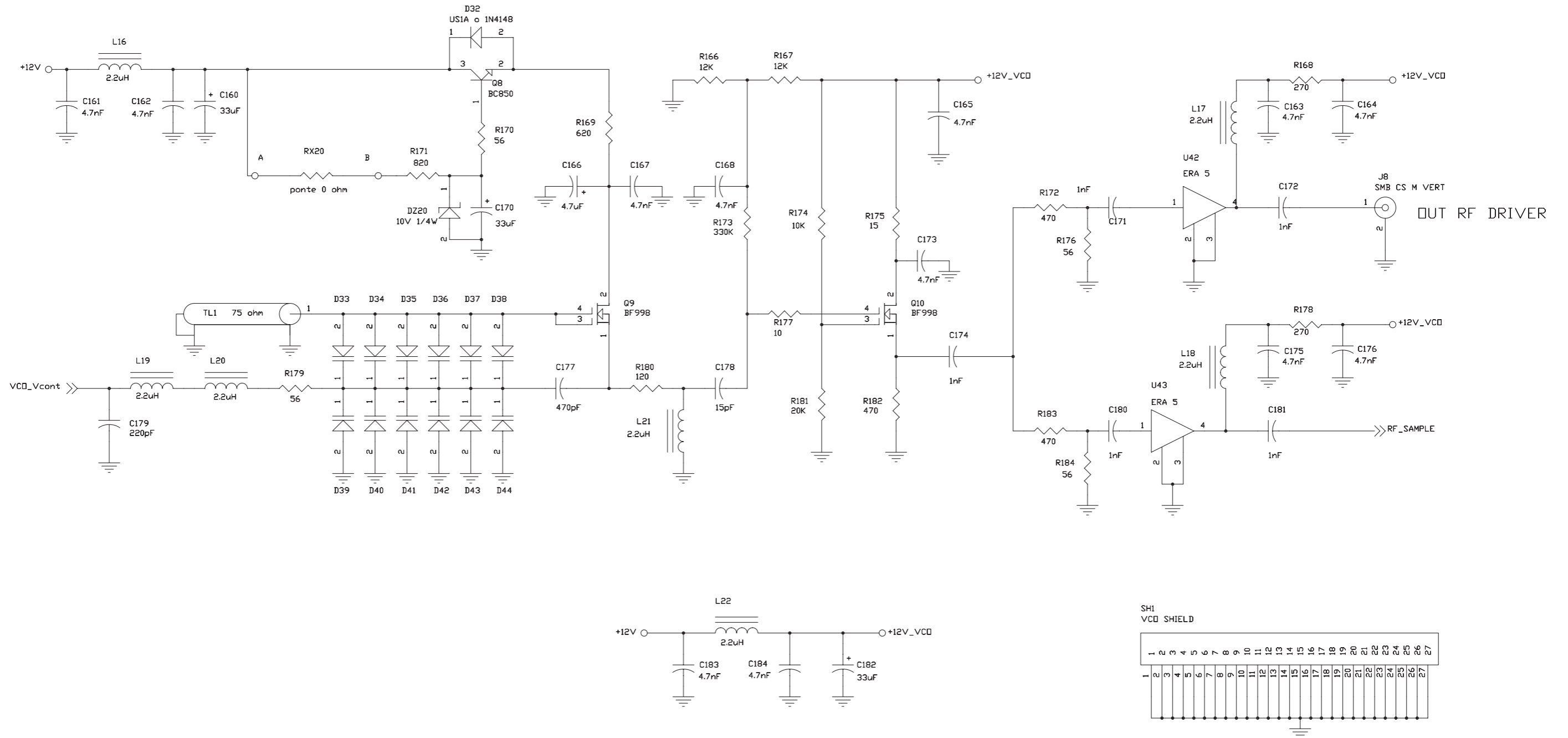


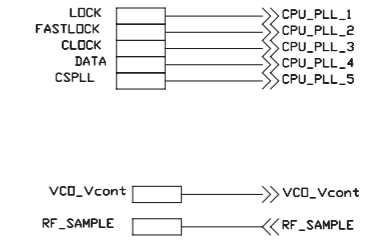
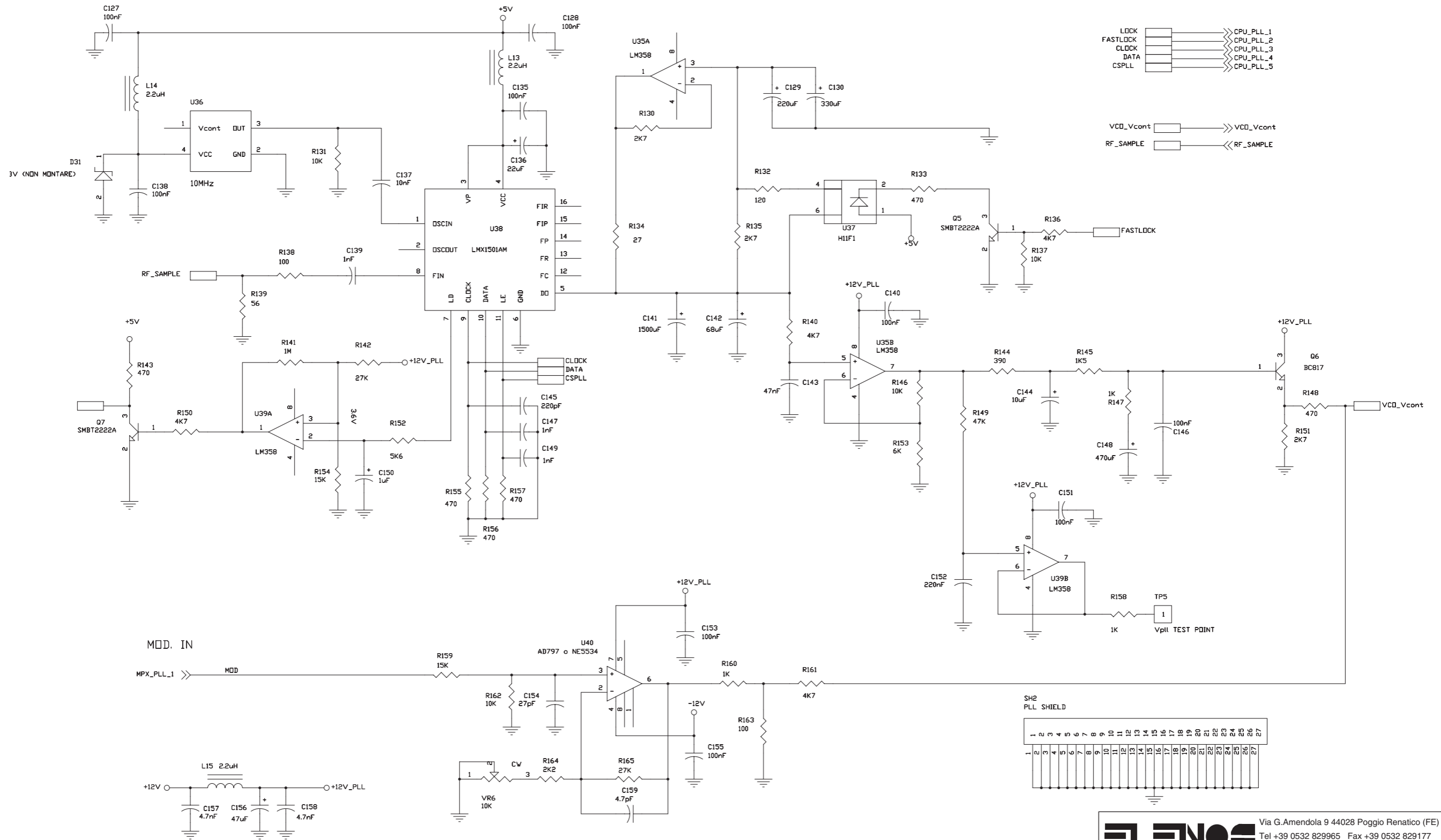
Via G. Amendola 9 44028 Poggio Renatico (FE) Italy Tel +39 0532 829965 Fax +39 0532 829177 Website WWW.ELENOS.COM		
<b>Title: POWER SUPPLY</b>		
Board Code: ETG-0199-ALI.C	Model: ETG30	Rev 1.1
Proj. Engr. : A.Tomassini	Approved : A.Giovannelli	
Date: Wednesday, November 15, 2000	Sheet 1	of 1



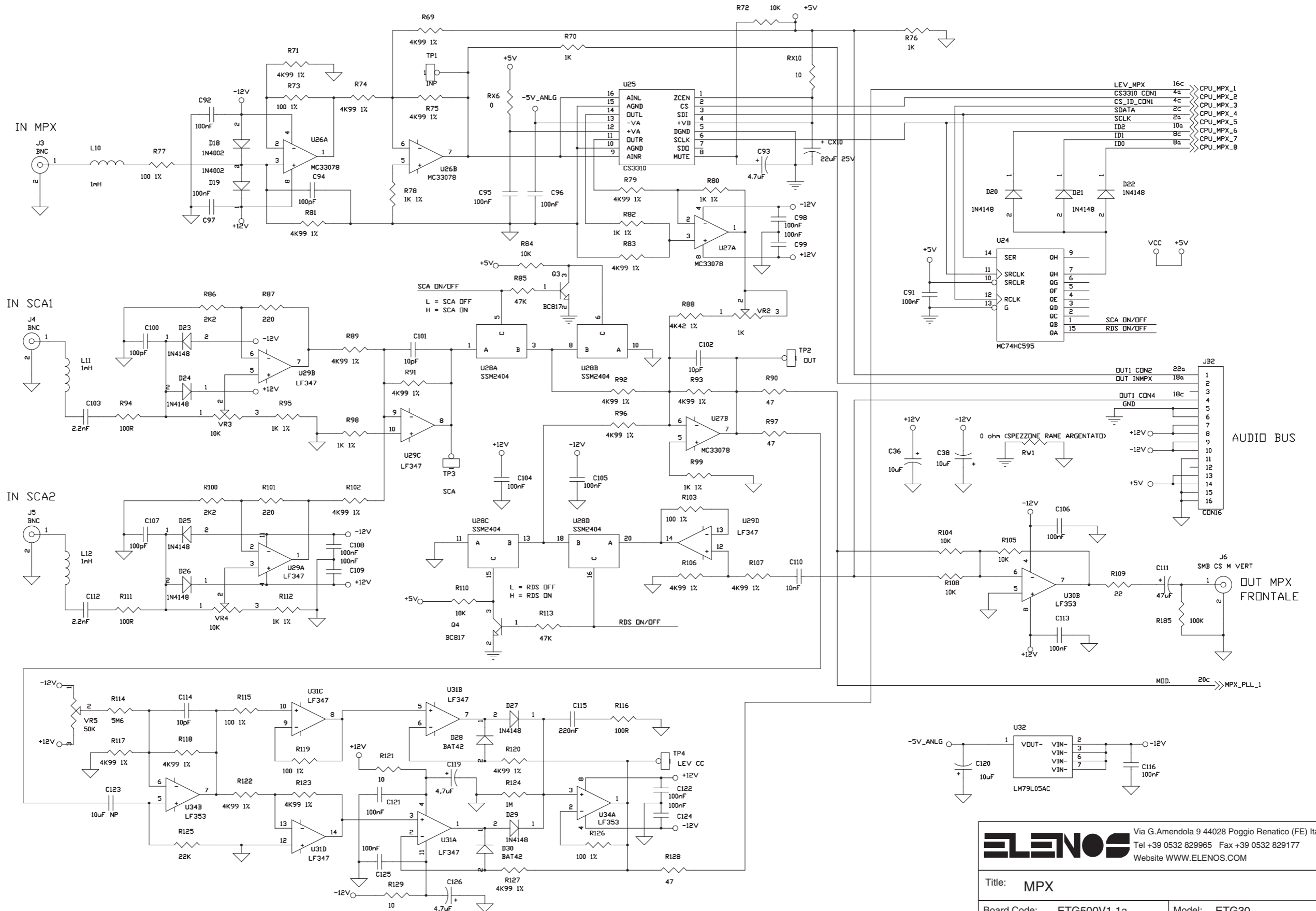
 Via G. Amendola 9 44028 Poggio Renatico (FE) Italy Tel +39 0532 829965 Fax +39 0532 829177 Website WWW.ELENOS.COM		
Title: MOTHER BOARD (TOP AND BOTTOM)		
Board Code: ETG500V1.1a	Model: ETG30	Rev 1.1
Proj. Engr. : A.Tomassini	Approved : A.Giovannelli	
Date: Wednesday, November 15, 2000	Sheet 1 of 1	




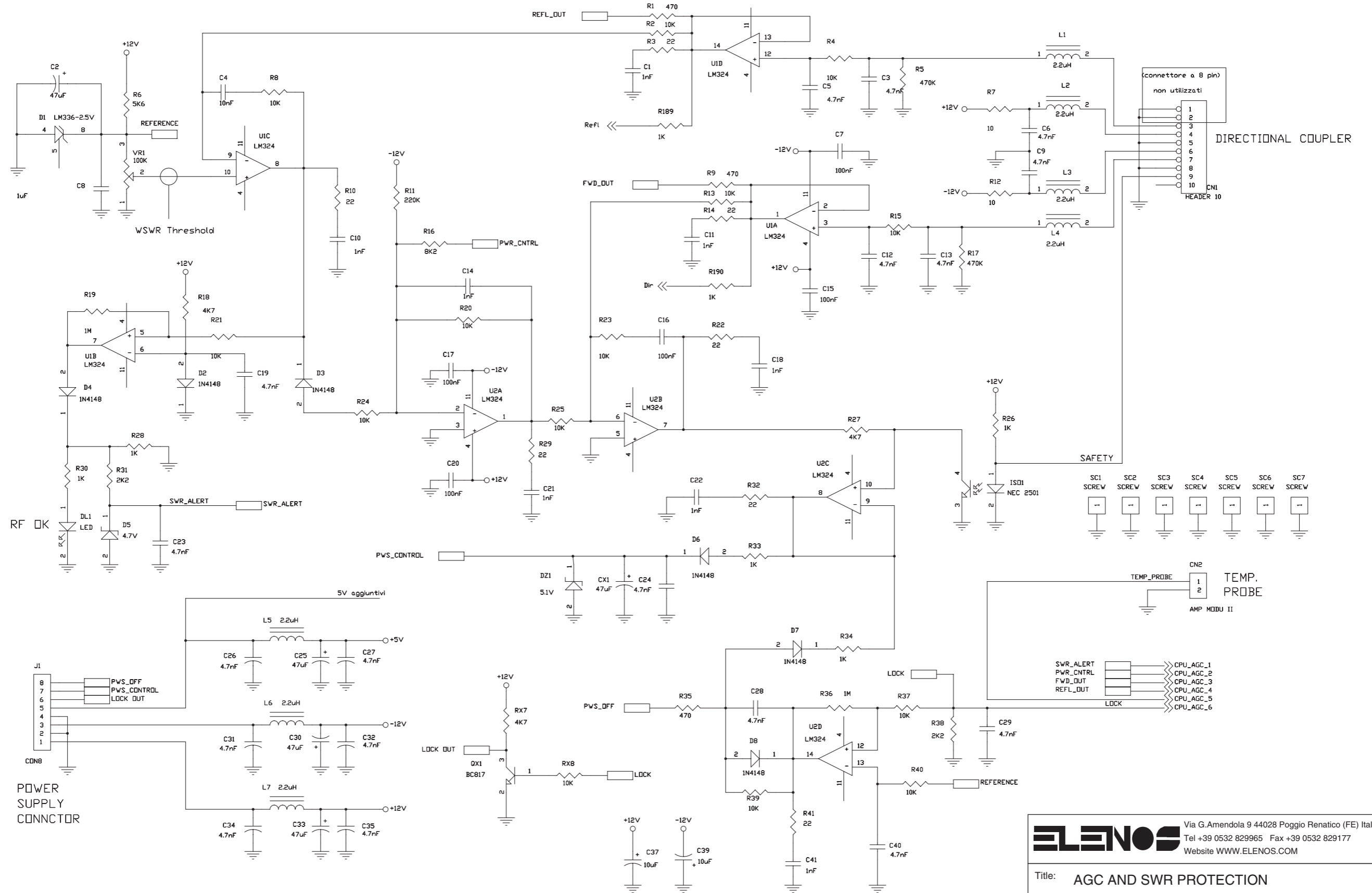
<b>ELENOS</b>		Via G. Amendola 9 44028 Poggio Renatico (FE) Italy	
		Tel +39 0532 829965 Fax +39 0532 829177	
		Website WWW.ELENOS.COM	
Title: VCO			
Board Code: ETG500V1.1a	Model: ETG30	Rev 1.1	
Proj. Engr. : A.Tomassini	Approved : A.Giovannelli		
Date: Wednesday, November 15, 2000	Sheet 1	of 5	



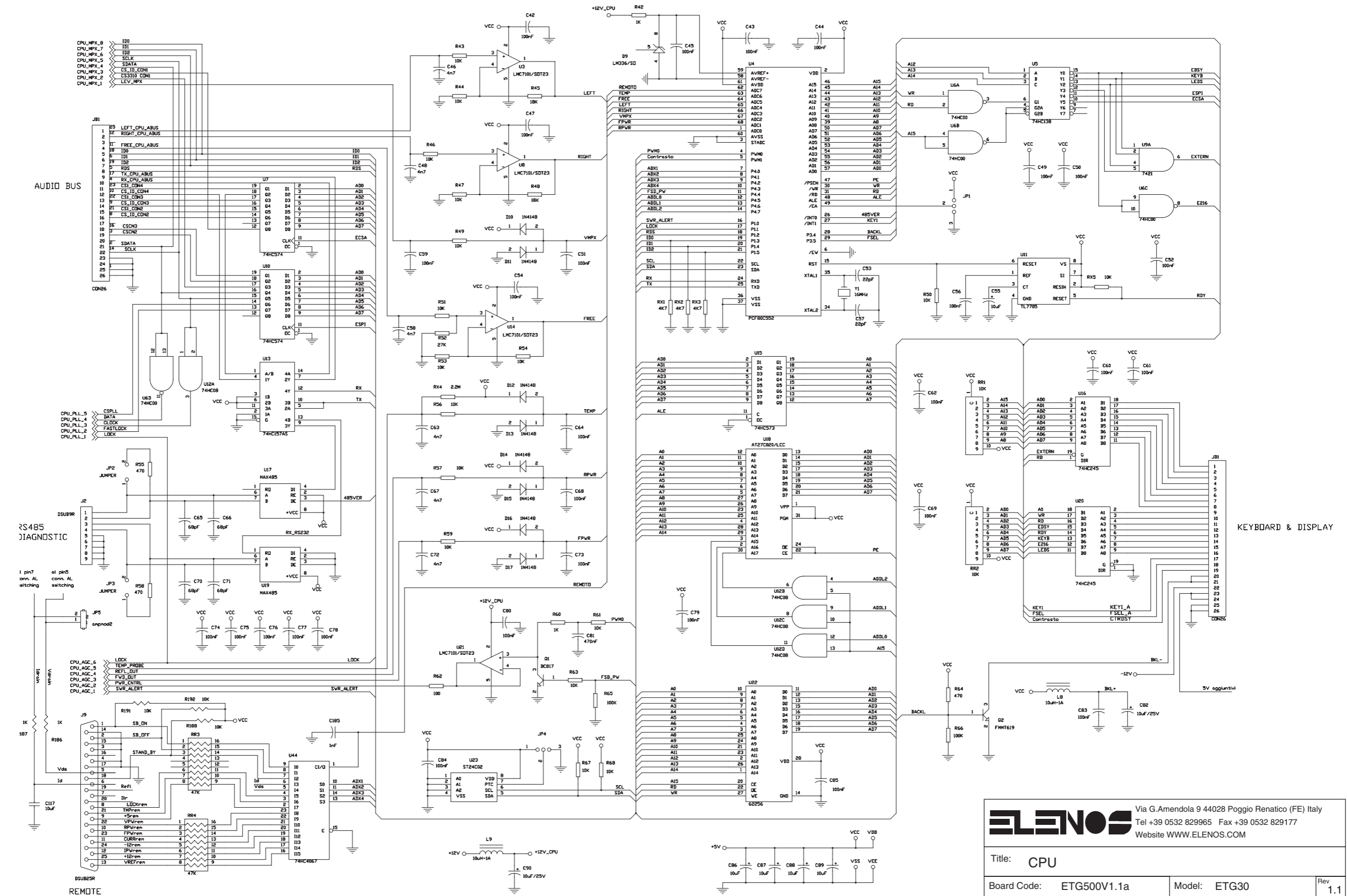
Via G.Amendola 9 44028 Poggio Renatico (FE) Italy Tel +39 0532 829965 Fax +39 0532 829177 Website WWW.ELENOS.COM		
Title: PLL		
Board Code: ETG500V1.1a	Model: ETG30	Rev 1.1
Proj. Engr. : A.Tomassini	Approved : A.Giovannelli	
Date: Wednesday, November 15, 2000	Sheet 2	of 5




 Via G. Amendola 9 44028 Poggio Renatico (FE) Italy Tel +39 0532 829965 Fax +39 0532 829177 Website WWW.ELENOS.COM		
Title: MPX		
Board Code: ETG500V1.1a	Model: ETG30	Rev 1.1
Proj. Engr. : A.Tomassini	Approved : A.Giovannelli	
Date: Wednesday, November 15, 2000	Sheet 3	of 5

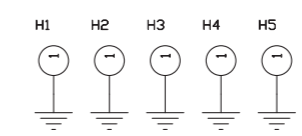
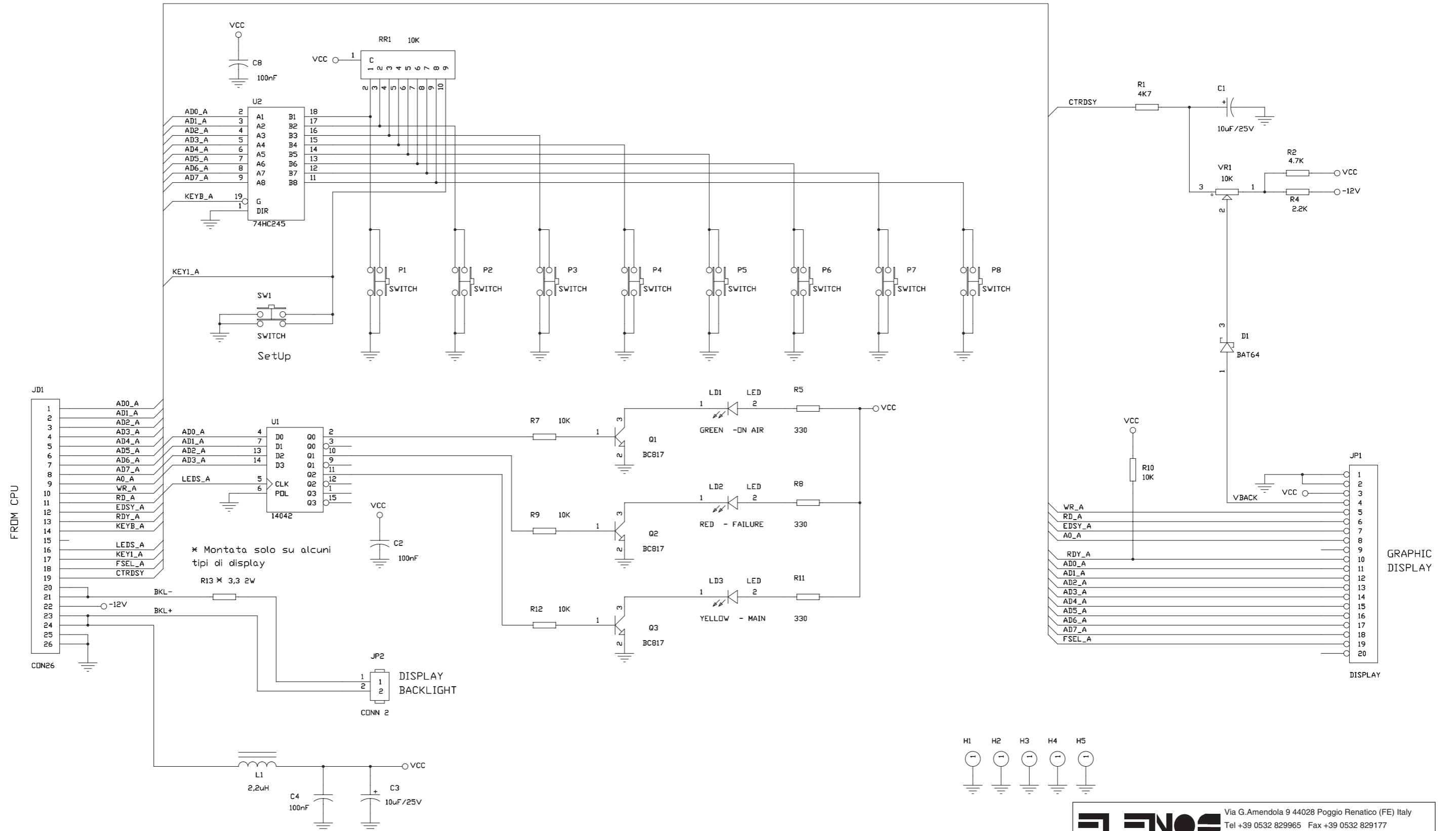


		Via G. Amendola 9 44028 Poggio Renatico (FE) Italy Tel +39 0532 829965 Fax +39 0532 829177 Website WWW.ELENOS.COM	
Title: <b>AGC AND SWR PROTECTION</b>			
Board Code:	ETG500V1.1a	Model:	ETG30
Proj. Engr. :	A.Tomassini	Approved :	A.Giovannelli
Date:	Wednesday, November 15, 2000	Sheet	4 of 5



 Via G.Amendola 9 44028 Poggio Renatico (FE) Italy Tel +39 0532 829965 Fax +39 0532 829177 Website WWW.ELENOS.COM			
			Title: CPU
Board Code: ETG500V1.1a	Model: ETG30	Rev 1.1	
Proj. Engr. : A.Tomassini	Approved : A.Giovannelli		
Date: Wednesday, November 15, 2000	Sheet 5 of 5		





**ELENOS** Via G. Amendola 9 44028 Poggio Renatico (FE) Italy  
 Tel +39 0532 829965 Fax +39 0532 829177  
 Website WWW.ELENOS.COM

Title: <b>KEYBOARD</b>		
Board Code: <b>KEYB.ETG500V1.0A</b>	Model: <b>ETG30</b>	Rev <b>1.1</b>
Proj. Engr. : <b>A.Tomassini</b>	Approved : <b>A.Giovannelli</b>	
Date: <b>Wednesday, November 15, 2000</b>	Sheet <b>1</b>	of <b>1</b>