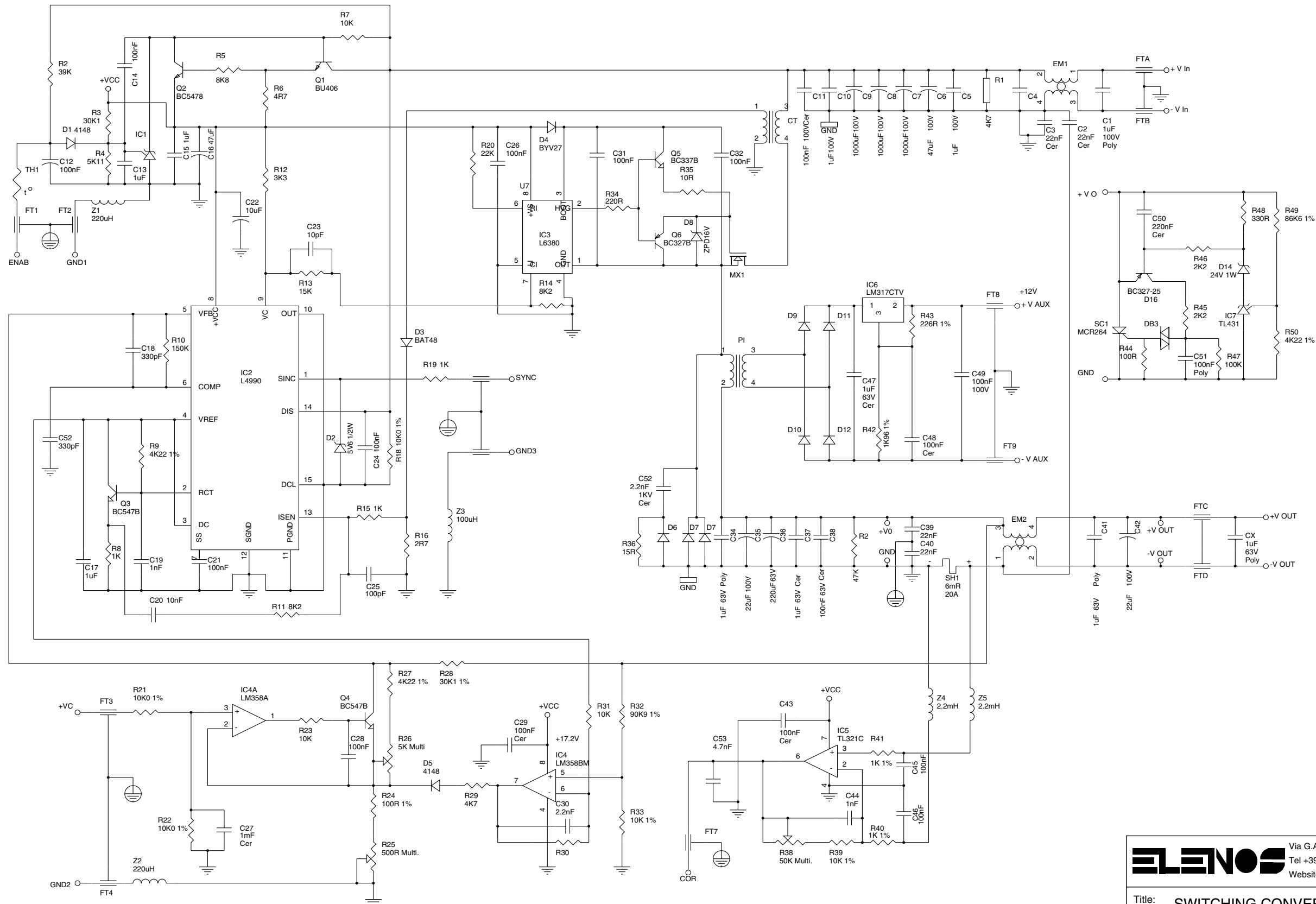

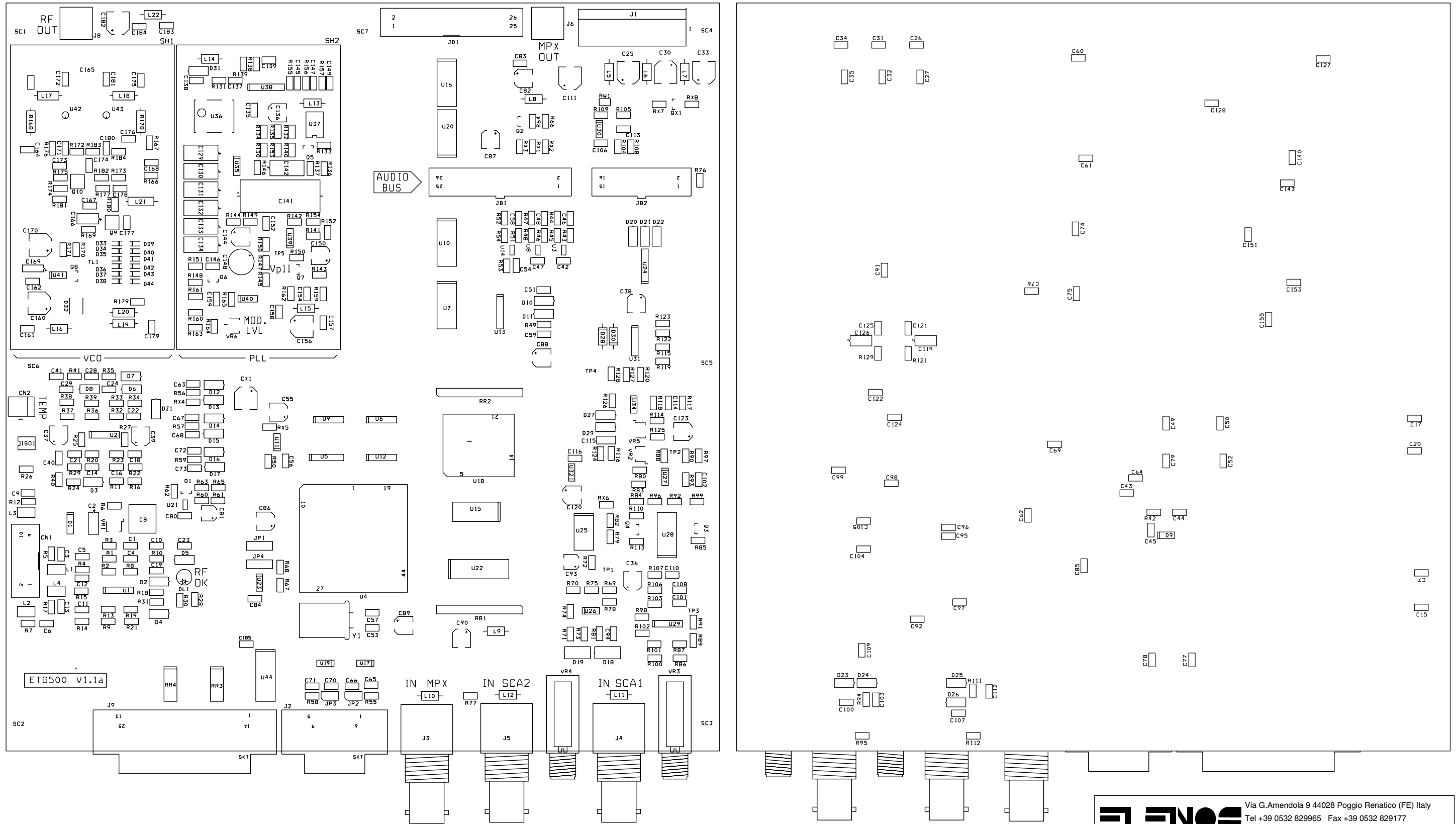



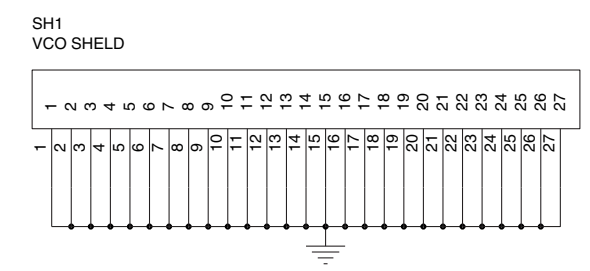
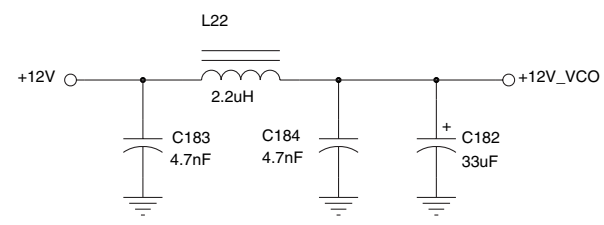
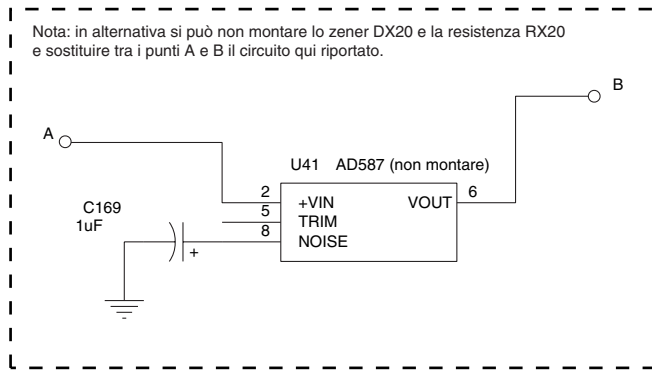
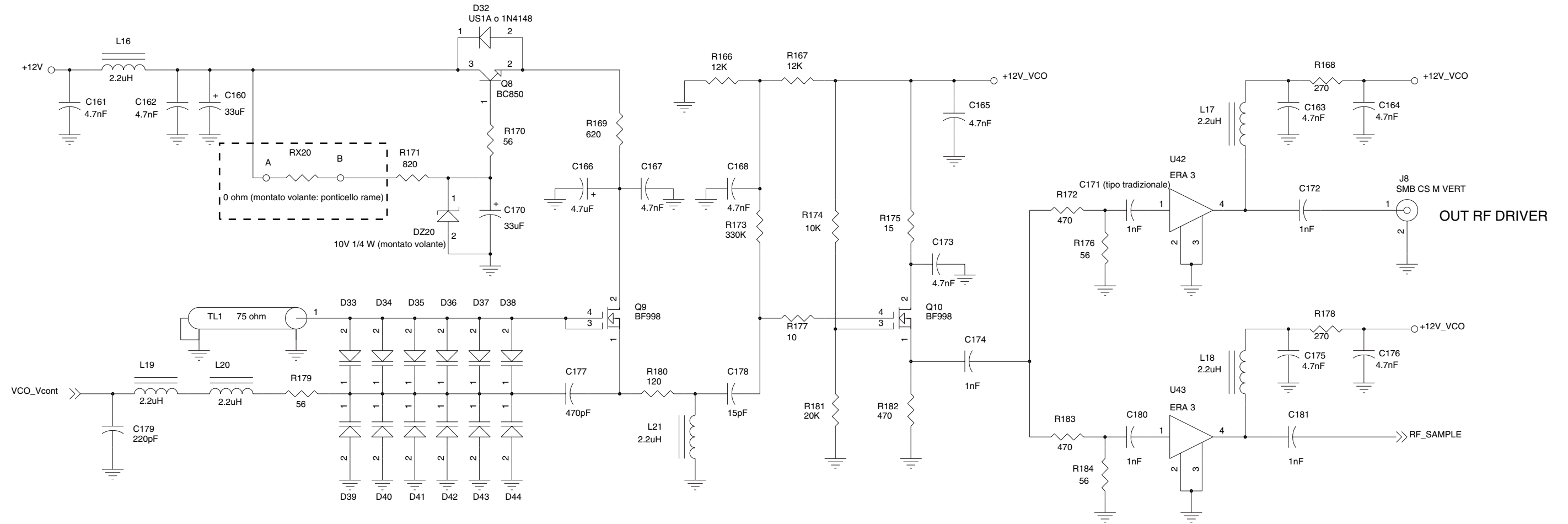
 Via G.Amendola 9 44028 Poggio Renatico (FE) Italy Tel +39 0532 829965 Fax +39 0532 829177 Website WWW.ELENOS.COM		
Title: AUX POWER SUPPLY		
Board Code: ETG-0199-ALI.C	Model: ETG500	Rev 1.1
Proj. Engr. : A.Tomassini	Approved : A.Giovannelli	
Date: Wednesday, November 15, 2000	Sheet 1	of 1



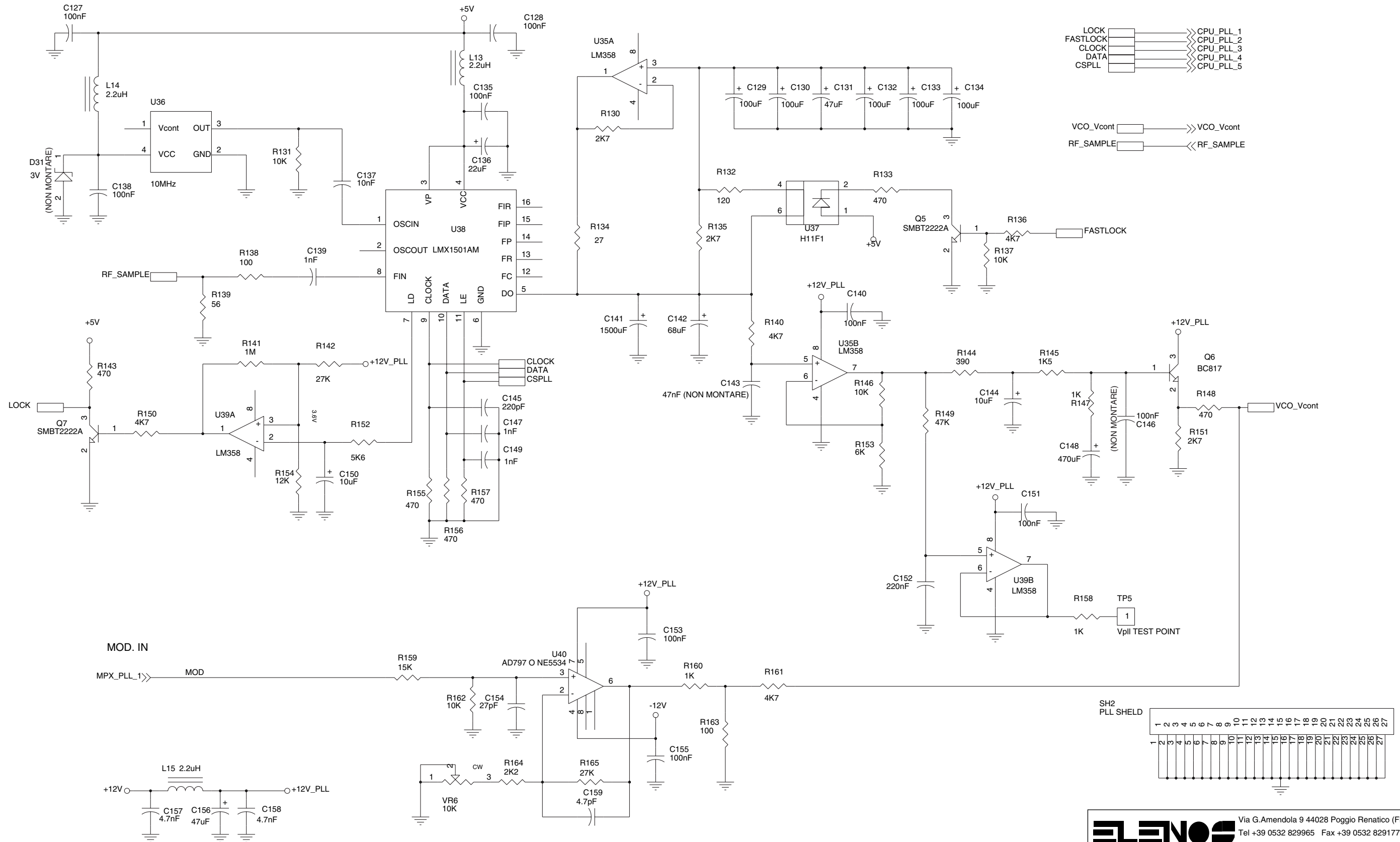
 Via G. Amendola 9 44028 Poggio Renatico (FE) Italy Tel +39 0532 829965 Fax +39 0532 829177 Website WWW.ELENOS.COM		
Title: SWITCHING CONVERTER		
Board Code: E13-98AA-ALI.B	Model: ETG500	Rev 1
Proj. Engr. : A.Tomassini	Approved : A.Giovannelli	
Date: Wednesday, November 15, 2000	Sheet 1	of 1



 Via G. Amendola 9 44028 Poggio Renatico (FE) Italy Tel +39 0532 829965 Fax +39 0532 829177 Website WWW.ELENOS.COM		
Title: MOTHER BOARD (TOP AND BOTTOM)		
Board Code: ETG500V1.1a	Model: ETG500	Rev 1.1
Proj. Engr. : A.Tomassini	Approved : A.Giovannelli	
Date: Wednesday, November 15, 2000	Sheet 1 of 1	

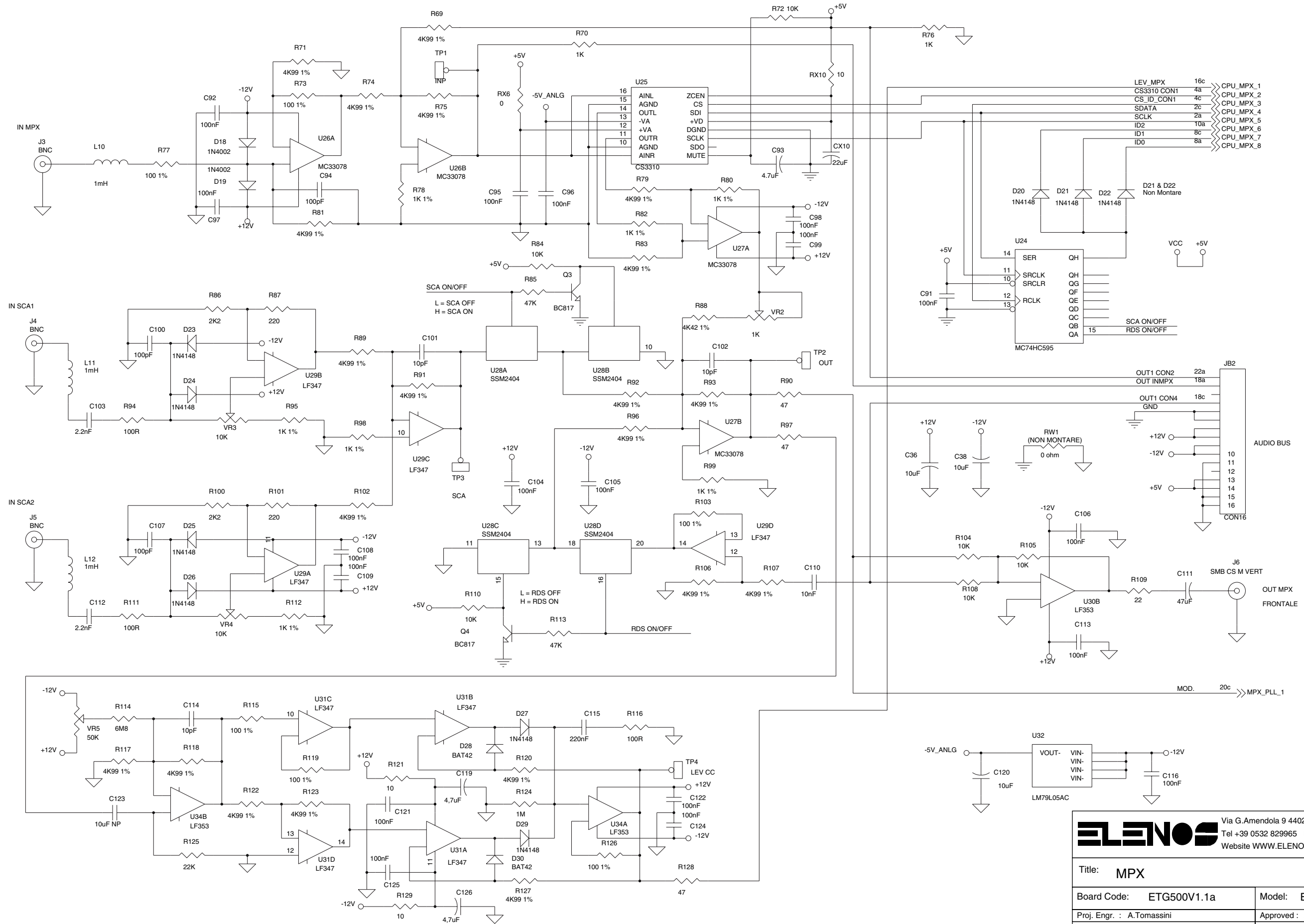


			Via G.Amendola 9 44028 Poggio Renatico (FE) Italy Tel +39 0532 829965 Fax +39 0532 829177 Website WWW.ELENOS.COM
Title: VCO			
Board Code: ETG500V1.1a	Model: ETG500	Rev 1.1	
Proj. Engr. : A.Tomassini	Approved : A.Giovannelli		
Date: Wednesday, November 15, 2000	Sheet 1 of 5		



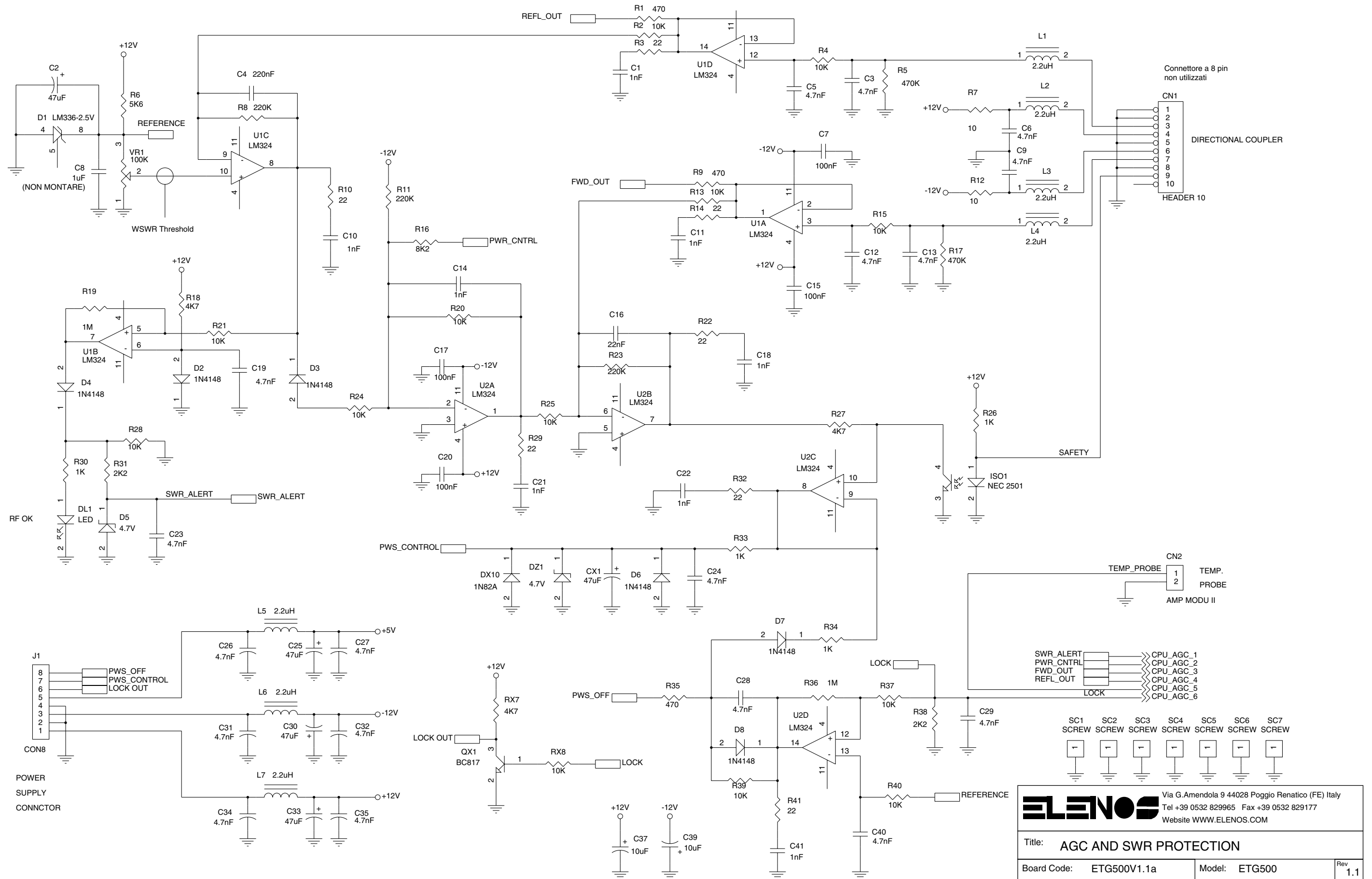
ELENOS Via G. Amendola 9 44028 Poggio Renatico (FE) Italy
Tel +39 0532 829965 Fax +39 0532 829177
Website WWW.ELENOS.COM

Title: PLL		
Board Code: ETG500V1.1a	Model: ETG500	Rev 1.1
Proj. Engr. : A.Tomassini	Approved : A.Giovannelli	
Date: Wednesday, November 15, 2000	Sheet 2	of 5



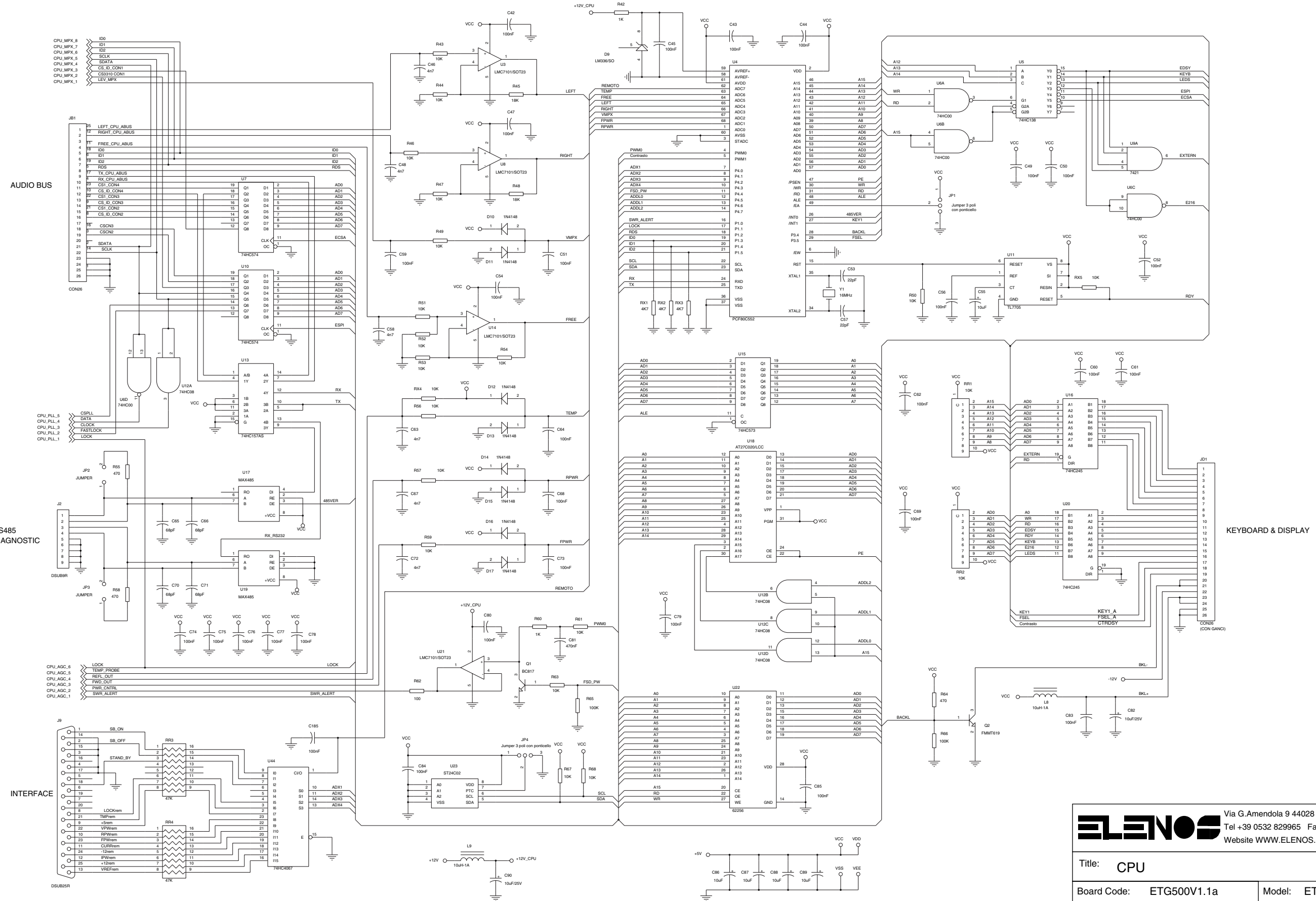
ELENOS Via G.Amendola 9 44028 Poggio Renatico (FE) Italy
Tel +39 0532 829965 Fax +39 0532 829177
Website WWW.ELENOS.COM

Title: MPX		
Board Code: ETG500V1.1a	Model: ETG500	Rev 1.1
Proj. Engr. : A.Tomassini	Approved : A.Giovannelli	
Date: Wednesday, November 15, 2000	Sheet 3	of 5

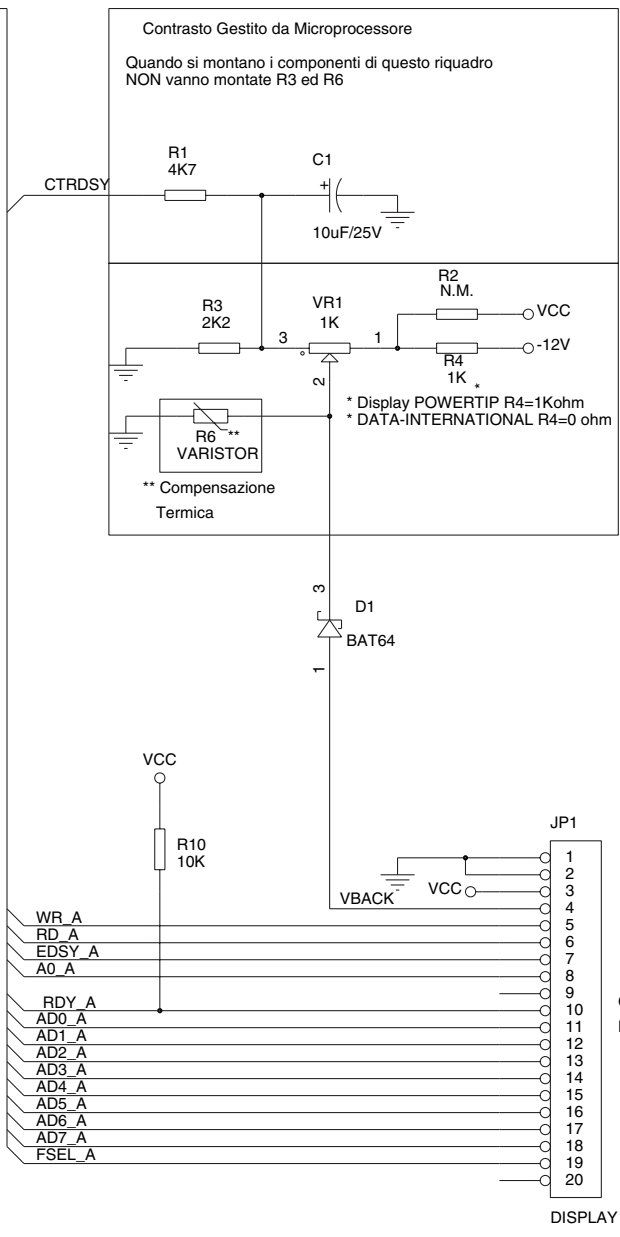
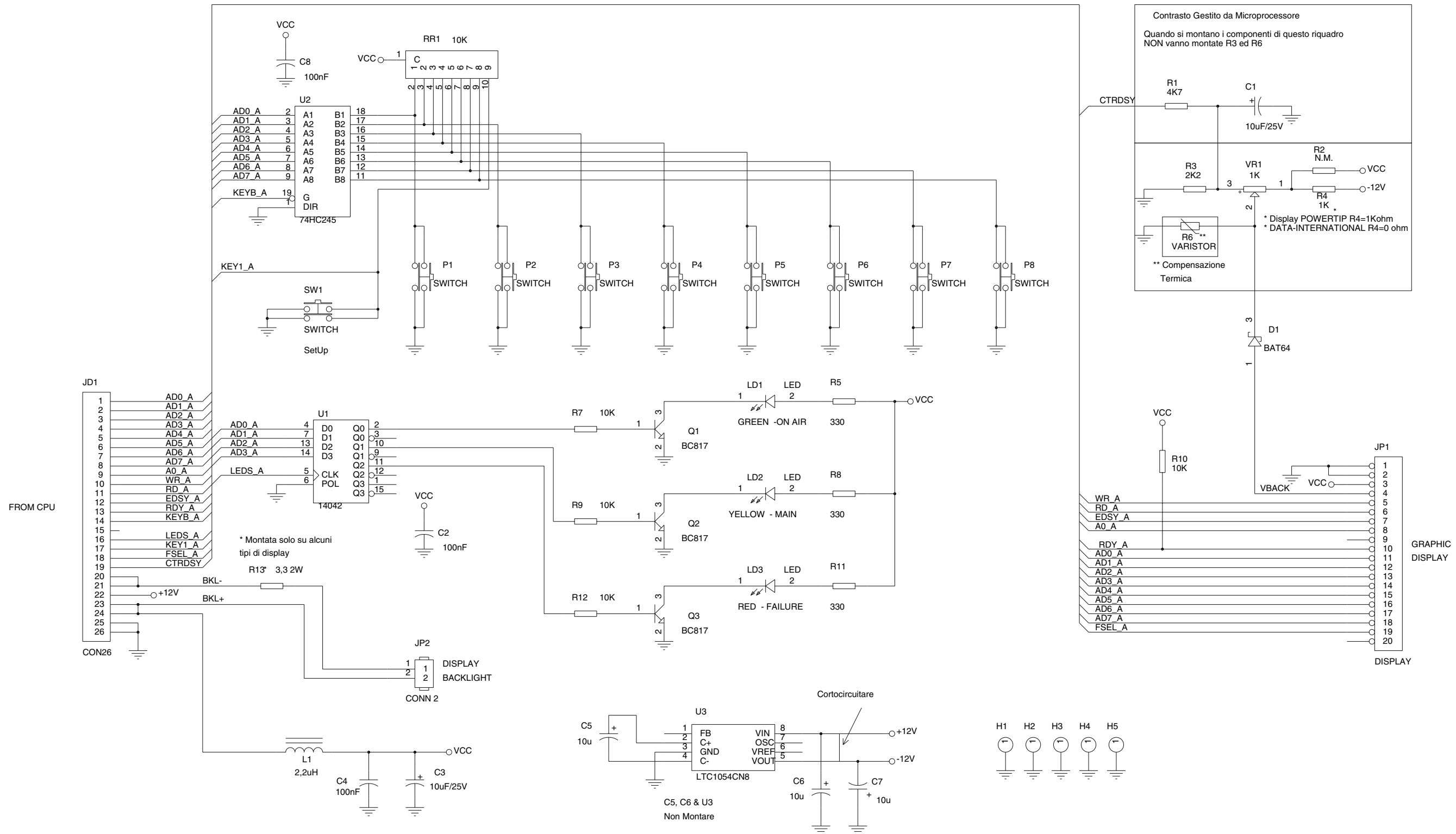


ELENOS Via G.Amendola 9 44028 Poggio Renatico (FE) Italy
Tel +39 0532 829965 Fax +39 0532 829177
Website WWW.ELENOS.COM

Title: AGC AND SWR PROTECTION		
Board Code: ETG500V1.1a	Model: ETG500	Rev 1.1
Proj. Engr. : A.Tomassini	Approved : A.Giovannelli	
Date: Wednesday, November 15, 2000	Sheet 4	of 5



		Via G. Amendola 9 44028 Poggio Renatico (FE) Italy	
		Tel +39 0532 829965 Fax +39 0532 829177 Website WWW.ELENOS.COM	
Title: CPU			
Board Code: ETG500V1.1a	Model: ETG500	Rev	1.1
Proj. Engr. : A.Tomassini	Approved : A.Giovannelli		
Date: Wednesday, November 15, 2000	Sheet 5 of 5		



Via G. Amendola 9 44028 Poggio Renatico (FE) Italy
Tel +39 0532 829965 Fax +39 0532 829177
Website WWW.ELENOS.COM

ELENOS

Title: **KEYBOARD**

Board Code: KEYB.ETG500V1.0A	Model: ETG500	Rev 1.1
Proj. Engr. : A.Tomassini	Approved : A.Giovannelli	
Date: Wednesday, November 15, 2000	Sheet 1 of 1	