

TABLE OF CONTENTS

CHAPTER 1

<i>Transmitter General Description And Installation Procedures</i>	<i>Page 2</i>
<i>Remote Control Feature</i>	<i>Page 3</i>
<i>Programming the NT 150</i>	<i>Page 5</i>

CHAPTER 2

<i>Electrical & Mechanical Specifications</i>	<i>Page 10</i>
<i>Front Panel Description</i>	<i>Page 13</i>
<i>Rear Panel Description</i>	<i>Page 14</i>

CHAPTER 3

<i>150 W schematics and components list</i>	<i>Page 15</i>
---	----------------

CHAPTER 1

GENERAL DESCRIPTION

NT 150 Transmitter Exciter

INTRODUCTION

The NT 150 FM Exciter is the latest in state of the art products available from Nicom. This Transmitter is designed with high reliability components and is intended to give many years of trouble free continuous service. This unit incorporates many features including a switching power supply and a PLL frequency synthesizer.

The latest SMD technology has allowed to make a more compact unit (only 2 rack spaces) and at the same time a very light unit (only 20 lbs).

INSTALLATION

After unpacking the module, check for any mechanical damage or loose parts inside. If there is any transportation damage, inform the supplier immediately and do not put the module into operation.

The voltage is applicable from 100 to 240 Volts without needing any change. Ensure that the station's ground system connections have a ground resistance of less than 5 ohms. The equipment's rack or cabinet must be effectively grounded.

Check that the transmitter's main switch is off.

Connect the power cord to the AC plug.

STARTING PROCEDURE

Connect the antenna cable to the 'N' connector on the back of the unit. The antenna system must be set up to operate at the transmitter's working frequency.

ATTENTION

Antenna matching is extremely crucial for FM transmitters. Operate this unit only after verifying good matching. Mismatching will decrease the communication distance and unduly stress the semiconductors.

Turn on the transmitter.

After 1 or 2 seconds the green LED "PLL LOCK" should turn on. This indicates that the frequency is locked on the programmed value.

After 1 more second the "RF ENABLE" green LED will come on. This indicates that RF power is being delivered to the output connector on the back.

Now you can input modulation. For MONO operation connect your signal to the XLR connector following the connecting instructions printed on the back of the transmitter and then regulate the input level with the apposite trimmer. For stereo input, use the BNC connector labeled "MPX". Regulate the audio with the apposite trimmer.

Note: Be sure that the modulation level is close to but not more than 75KHz. 75KHz is 100% modulation. Lower modulation level will decrease the S/N value while over-modulation (>100%) will cause distortion at the receiver and it is against current regulations.

REMOTE CONTROL FEATURE

The NT 150 is equipped with a 9 pin RS 232 connector that allows all the mains telemetry functions. The software is supplied with the unit and with this CD rom it's possible to monitor and to change the main parameters of the NT 150 on the computer's screen.

The NT 150 is also supplied with the interlock connector that allows to switch the power on and off simply by grounding the inner conductor of the BNC.

NOTE:

The CD Rom supplied contains the remote control software of the NT 150.

REMOTE CONTROL SOFTWARE INSTALLATION

The NT 150 comes with a Serial port RS 232. This port allows a Bi-Directional remote control of the unit from a PC.

INSTALLING THE SOFTWARE

1. Insert the NT 150 CD-ROM into the CD drive.
2. Run Setup.exe file found in the main folder of the CD-ROM. The installation will continue automatically asking only for the name of the folder of the hard drive where the program will be installed. It will be necessary to reboot the computer.
3. Once installed, the Tx_Nicom program icon can be recalled by clicking : Start - Programs - Tx_Nicom icon.

CONNECTING THE NT 150

The NT 150 is equipped with a Serial Port (RS232) in the rear panel. To connect the computer with the NT 150 we recommend standard serial cables Pin-to-Pin; the length of the cable must stay within 60 feet.

REMEMBER TO CLOSE THE PROGRAM BEFORE REMOVING THE CONNECTING CABLE

RUNNING THE PROGRAM

Once the program is running, from the main screen it is necessary to click the POWER ON button; the screen will light up and a message "COMMUNICATION IN PROGRESS" will appear. After few seconds, on the left side of the screen, the operating frequency will appear together with all the other parameters. If not, check the Communication port setting (COM1-COM 2).

To change it, click the File menu and then select "set Port".

The other parameters shown on the screen are the following:

1. Temperature in Celsius (remember that Farheneit is Celsius x 1.8 + 20)
2. Lock Indicator showing that PLL circuit of the unit is locked
3. On the Air showing that the unit is transmitting
4. RF Forward giving the amount of Watts radiated
5. RF Reflected giving the amount of reflected power

On the right side of the screen there are four buttons that allow to modify the parameters:

- a. Send Button to be used after a change of frequency is made
- b. Set Frequency allows the change of frequency by clicking the new frequency on the keyboard on the left side of the screen
- c. Disconnect allows to disconnect the system
- d. RF On turns up and down the power

NT 150 PROGRAMMING

Connect a 50 ohm load or 50 ohm antenna to the RF output, connect the equipment into a mains supply (100÷240 VAC). The equipment is factory pre-set to 50 W.

Switch ON the power and the yellow V POWER LED will light.

The Display will show:

WAIT	<input type="checkbox"/> PROGRAM
	<input type="checkbox"/> SETTING

After 3 seconds the green PLL LOCK led will light and the Display will show an increasing bar. After a further 5 seconds the green ENABLE will light and there will be output power.

WAIT ■■■■■	<input type="checkbox"/> PROGRAM
	<input type="checkbox"/> SETTING

At this point the Display will show the next parameter:

- Level Modulation (MOD >■■■■■■■□■■■);
- Forward Power (FRW 50.0W);
- Reflected Power (RFL 0.4W).

MOD > ■■■■■■□■■■ FRW 50W RFL 0.4W	<input type="checkbox"/> PROGRAM
	<input type="checkbox"/> SETTING

The default frequency is 98.000 MHz.
To display the frequency push the SETTING key.
In order to display the parameter push the SELECT key.

Display Password

The Password mode is factory set to enable, and is not possible change this setting.

The default password is 1 2 3.

The way for changing the password is the following:

- Press the PROGRAM key for 3 seconds;

PASSWORD <u>0</u> 1 2 3 4 5 6 7 8 9	<input type="checkbox"/> PROGRAM
	<input type="checkbox"/> SETTING

- Press the PROGRAM key to move the underscore character position at the required digit, and press the SETTING key to confirm the digit.

PASSWORD * 0 1 2 3 4 5 6 7 8 9	<input type="checkbox"/> PROGRAM
	<input type="checkbox"/> SETTING

Repeat the same for the two remaining digits.

PASSWORD * * * 0 1 2 3 4 5 6 7 8 9	<input type="checkbox"/> PROGRAM
	<input type="checkbox"/> SETTING

- If the password is correct press the SETTING key to confirm, otherwise press the PROGRAM key to select again.

CONFIRM (Y/N) ? N=SEL. Y=SET.	<input type="checkbox"/> PROGRAM
	<input type="checkbox"/> SETTING

If the password is not correct an error is displayed:

ERROR PASSWORD	<input type="checkbox"/>	PROGRAM
	<input type="checkbox"/>	SETTING

After a few seconds the display will show the parameters again.

- When the password is correct, the display will show:

NEW PASS . = SET. NEW FREQ . = PRG	<input type="checkbox"/>	PROGRAM
	<input type="checkbox"/>	SETTING

To change the password press the SETTING key.
To change the frequency press the PROGRAM key.

- For changing the password proceed with the same method for the required password:

NEW PASSWORD <u>0</u> 1 2 3 4 5 6 7 8 9	<input type="checkbox"/>	PROGRAM
	<input type="checkbox"/>	SETTING

The confirmation password will be required.

CONFIRMATION <u>0</u> 1 2 3 4 5 6 7 8 9	<input type="checkbox"/>	PROGRAM
	<input type="checkbox"/>	SETTING

If the password is correct the display will show:

**STORED
NEW PASSWORD**

PROGRAM

SETTING

If the confirmation password is wrong the display will show:

**ERROR
CONFIRMATION**

PROGRAM

SETTING

IMPORTANT NOTE

! BE CAREFUL !

Once the password is set, it must be remembered, otherwise neither the frequency nor the password can be reset and the unit will have to be returned to Nicom for resetting.

Display Change of Frequency.

- Press the PROGRAM key for 3 seconds and enter the correct password. At this point press again the SELECT key:

**NEW PASS . = SET.
NEW FREQ . = PRG**

PROGRAM

SETTING

- Press the PROGRAM key to change the desired digit and press the SETTING key to confirm it.

**FREQUENCY ?
MHz 103.900**

PROGRAM

SETTING

The underscore character indicates which digit can be change.
To move the underscore character hit the PROGRAM key.

When the new frequency is chosen, then press the SETTING key
confirm it.

After a "WAIT CYCLE", the display will show the parameters:

MOD > ■■■■■■ □ FRW 50W RFL 0.4W	<input type="checkbox"/> PROGRAM
	<input type="checkbox"/> SETTING

After 7 minutes the display light will switch off and the display will show:

NICOM MHz 103.900	<input type="checkbox"/> PROGRAM
	<input type="checkbox"/> SETTING

CHAPTER 2

ELECTRICAL SPECIFICATIONS

NT 150 TECHNICAL DATA

<i>Power output:</i>	<i>2 to 150 Watts continuously variable</i>
<i>Frequency of operation:</i>	<i>Sinthesized with TXCO crystal reference</i>
<i>RF output connector/ Impedance:</i>	<i>Type "N" Female / 50 Ohms</i>
<i>Frequency Stability:</i>	<i>Better than 5ppm (\pm 500 Hz) , 0 to 50° C.</i>
<i>Frequency Range:</i>	<i>87.5 - 108 Mhz</i>
<i>Frequency programming:</i>	<i>Digitally in 10 Khz increments.</i>
<i>Modulation type:</i>	<i>Direct FM at the carrier frequency</i>
<i>S/N Ratio (ref. to 50 Khz / 1000 Hz):</i>	<i>Mono > 70dB - Stereo > 65 dB.</i>
<i>Distortion, THD:</i>	<i>< 0.1 %, Typ. 0.05 %</i>
<i>Asynchronous AM S/N ratio:</i>	<i>65 dB below reference carrier with 100% AM modulation, 75 usec de-emphasis (no FM modulation present).</i>
<i>Synchronous AM S/N ratio:</i>	<i>60 dB below reference carrier with 100% AM modulation (FM modulation \pm 75 Khz).</i>
<i>DC input power:</i>	<i>24 V VDC 6 A</i>
<i>AC input power:</i>	<i>Single phase 100 - 240 V</i>

<i>Ambient Temperature Range:</i>	<i>0° to 50° C (+32° to +122° F)</i>
<i>Spurious and Harmonic or Subharmonic Emissions:</i>	<i>< -80 dB or better</i>
<i>Stereo Separation</i>	<i>55 dB @ 1 Khz</i>

COMPOSITE OPERATION

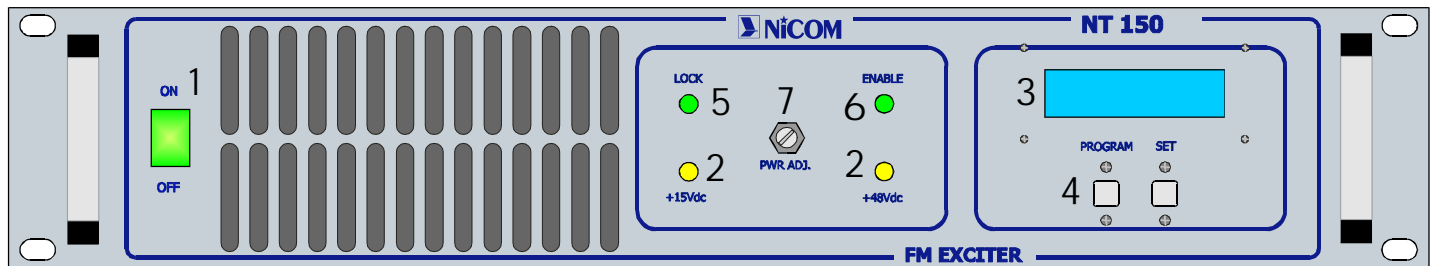
<i>Composite inputs</i>	<i>four total, 1 for MPX and 3 for SCA</i>
<i>MPX input</i>	<i>1 unbalanced bnc connector</i>
<i>MPX input impedance</i>	<i>2 K ohms</i>
<i>MPX input level</i>	<i>3,5 V p-p (1,237 Vrms/3.64 dBm)</i>
<i>Composite FM unweighed S/N ratio</i>	<i>> 78 dB below ± 75 Khz deviation at 400 Hz measured in a 30 Hz - 100Khz bandwidth with 75 usec de-emphasis (RMS)</i>
<i>Composite Total Harmonic Distortion</i>	<i>0.05 % typical</i>
<i>Composite Intermodulation Distortion</i>	<i>0.05 %, measured with a 1 Khz and a 1.3 Khz tone, 1:1 ratio, at 100% modulation</i>
<i>Baseband Crosstalk</i>	<i>30 Hz - 60 Khz within 0.15 dB main to stereo subchannel and stereo subchannel to main > 55 dB (60 dB typical)</i>
<i>SCA Inputs</i>	<i>3 unbalanced BNC connectors</i>
<i>SCA Input Impedance</i>	<i>10 K Ohms</i>
<i>SCA Input Levels</i>	<i>0 dBm (775 mV rms/ 2.2 V p-p) nominal for ± 75 Khz deviation, adjustable</i>
<i>SCA Amplitude Response</i>	<i>± 0.8 dB, 40 Khz to 100 Khz</i>
<i>Crosstalk</i>	<i>67 Khz SCA to main or to stereo subchannel >65dB 92 Khz SCA to main or to stereo subchannel >70 dB</i>

MONOAUURAL OPERATION

<i>Audio Input Impedance</i>	<i>600 Ohms balanced or unbalanced; 50 dB common mode suppression</i>
<i>Audio Input Level</i>	<i>0 dBm (775 mV rms/ 2.2 V p-p) nominal for ± 75 Khz deviation, adjustable</i>
<i>FM S/N Ratio</i>	<i>> 70 dB below ± 75 Khz deviation at 400 Hz measured in a 30 Hz - 20Khz bandwidth with 75 usec de-emphasis (RMS)</i>
<i>Audio Frequency Response</i>	<i>± 0.8 dB, 30 Hz to 15 Khz</i>
<i>Intermodulation Distortion</i>	<i>0.05 %, measured with a 1 Khz and a 1.3 Khz tone, 1:1 ratio, at 100% modulation</i>

MECHANICAL SPECIFICATIONS

Chassis Dimensions:	88 mm (3.4") H 326 mm (12.83")D 445 mm (17.51) W
Front panel dimensions:	483 mm (19") W 88 mm (3.4") H
Ambient operating temperature:	from 0 to + 50 C (+32 to +122 F)
Humidity:	90% maximum, non condensing.
Weight:	20 Lbs (9 Kg)
Shipping Dimensions:	22" x 23" x 8"



- 1 *Switch power*
- 2 *Power supply lamp indicators*
- 3 *Multimeter*
- 4 *Meter select functions and frequency programming*
- 5 *PLL Lock indicator*
- 6 *RF Output enable indicator*
- 7 *RF power output level adjust*



TITLE

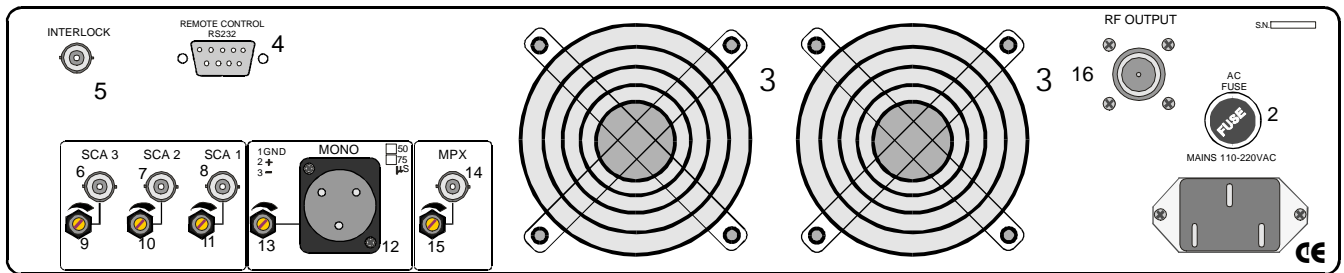
NT150 FM EXCITER
front panel layout

DATE

03-2004

DRAWING NO.

NT150 front layout.cdr



1 - MAIN SUPPLY CONNECTOR

2 - AC FUSE 1A

3 - FAN

4 - DB 9 PIN INPUT / OUTPUT CONNECTOR FOR TELEMETRY (opt.01)

5 - BNC FEMALE FOR CONNECTION OF THE INTERLOCK LOOP -
A CONNECTION TO GROUND INHIBIT RF POWER

6-7-8- BNC FEMALES FOR SUBCARRIERS GENERATORS INPUTS

9-10-11- SCA INPUT ADJUSTING LEVELS

12 - XLR FEMALE BALANCED MODE MONO AUDIO INPUT

13 - MONO INPUT ADJUSTING LEVEL

14 - BNC FEMALE FOR THE COMPOSITE MPX INPUT

15 - MPX INPUT ADJUSTING LEVEL

16 - N FEMALE FOR RF OUTPUT POWER



TITLE

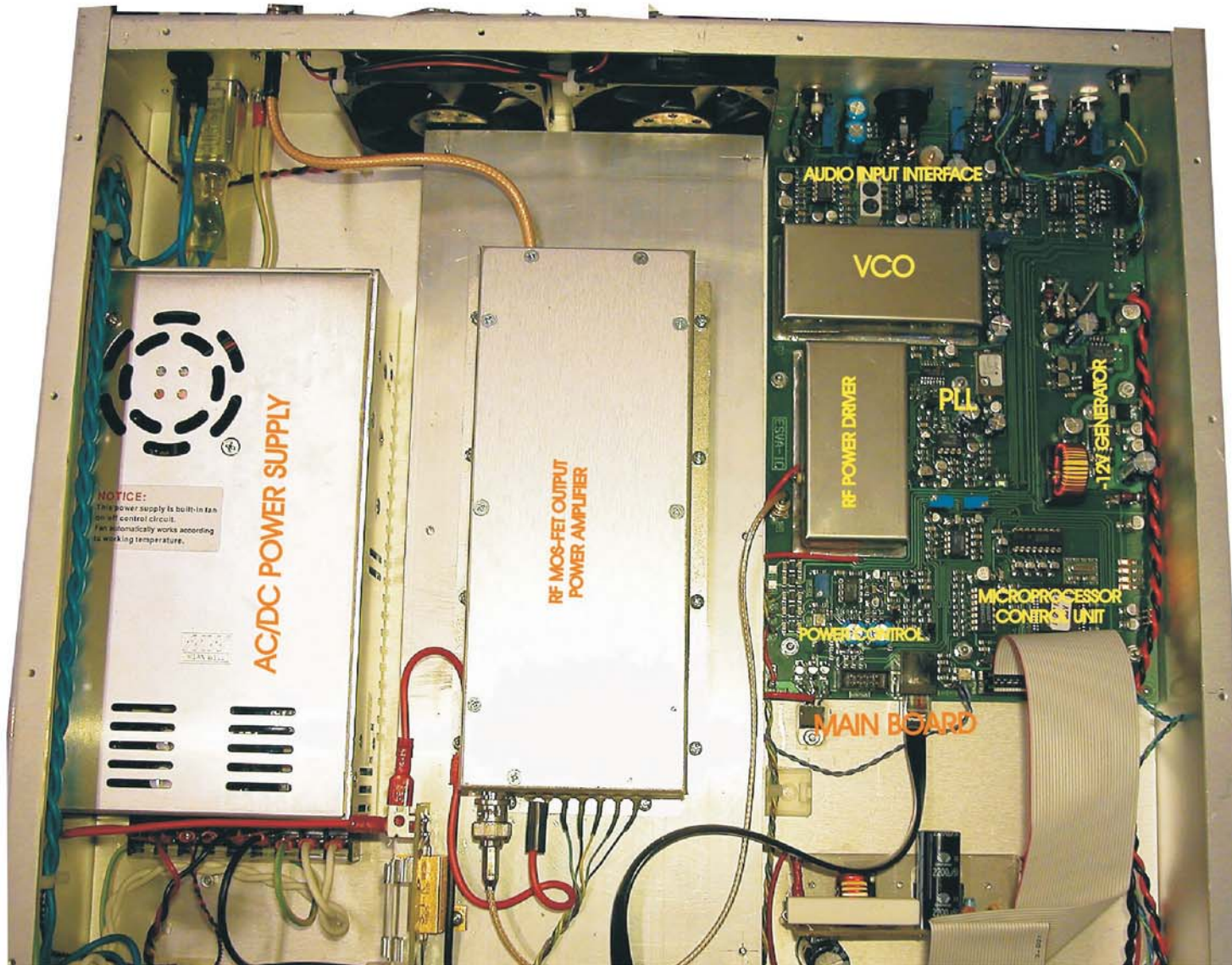
NT150 FM EXCITER
rear panel layout

DATE

03-2004

DRAWING NO.

NT150 rear layout.cdr



AC/DC POWER SUPPLY

NOTICE:
 The power supply is built-in fan
 on a control circuit.
 Fan automatically works according
 to working temperature.

**RF MOS-FET OUTPUT
 POWER AMPLIFIER**

AUDIO INPUT INTERFACE

VCO

RF POWER DRIVER

PLL

12V GENERATOR

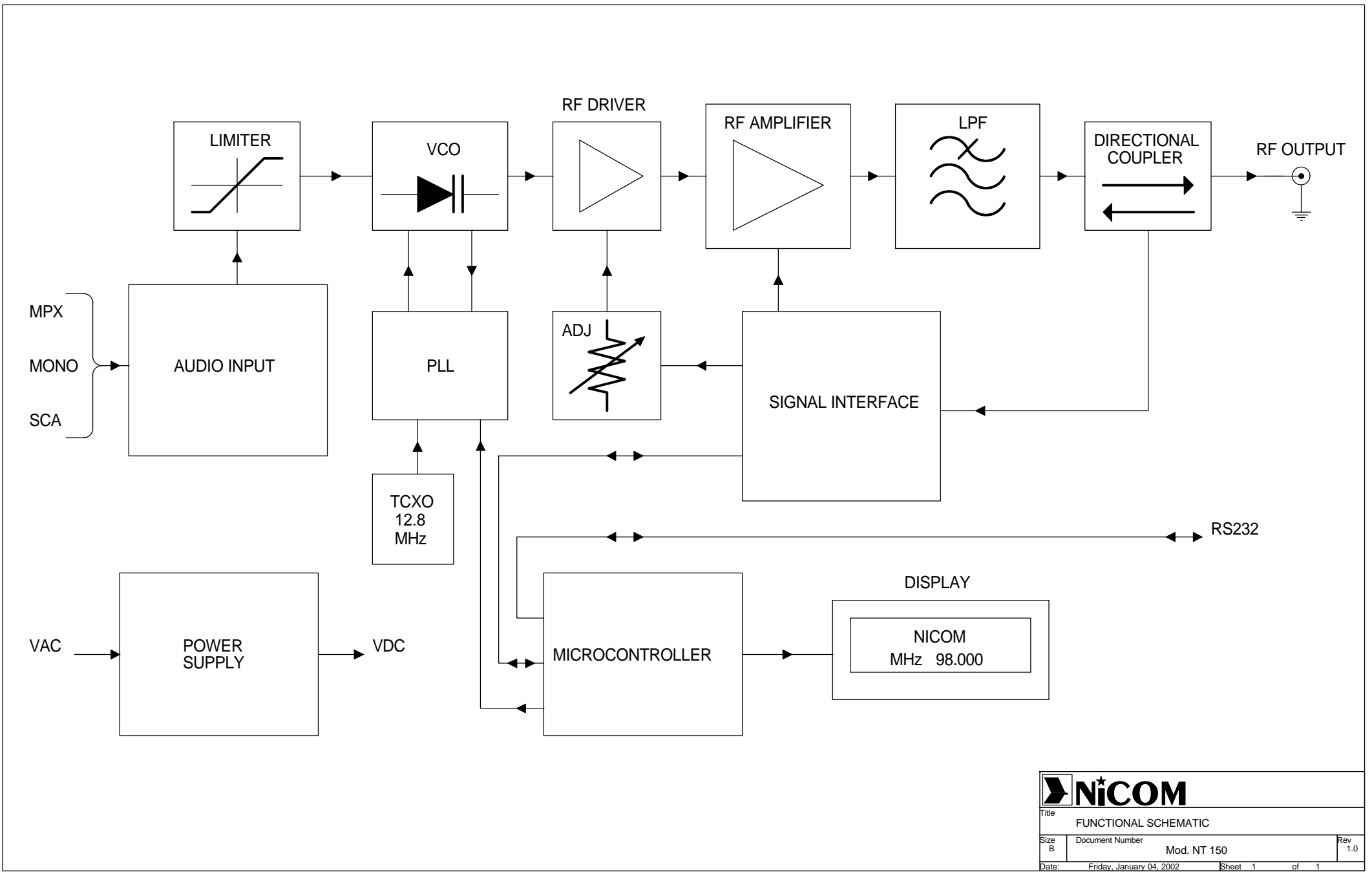
**MICROPROCESSOR
 CONTROL UNIT**

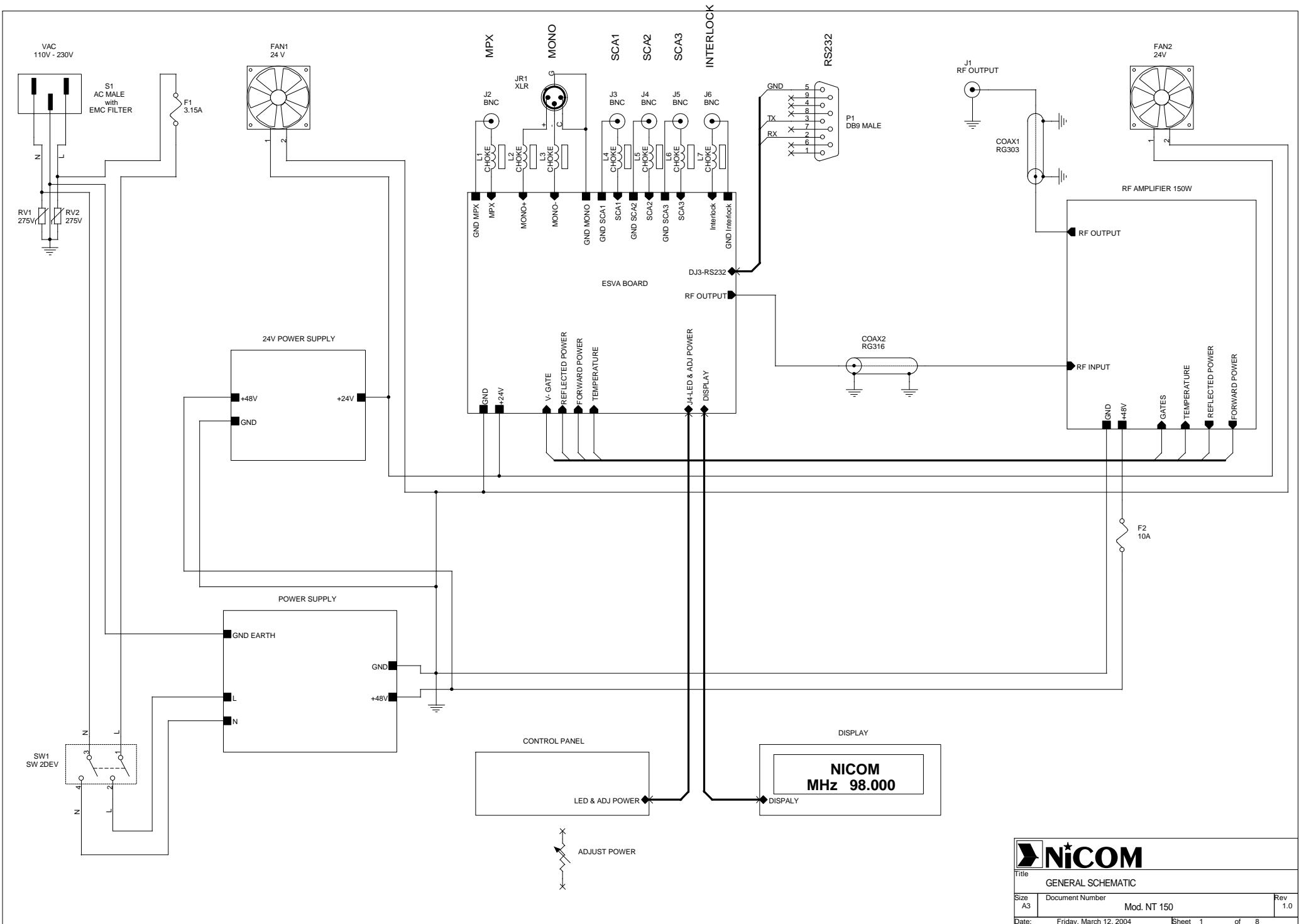
POWER CONTROL

MAIN BOARD

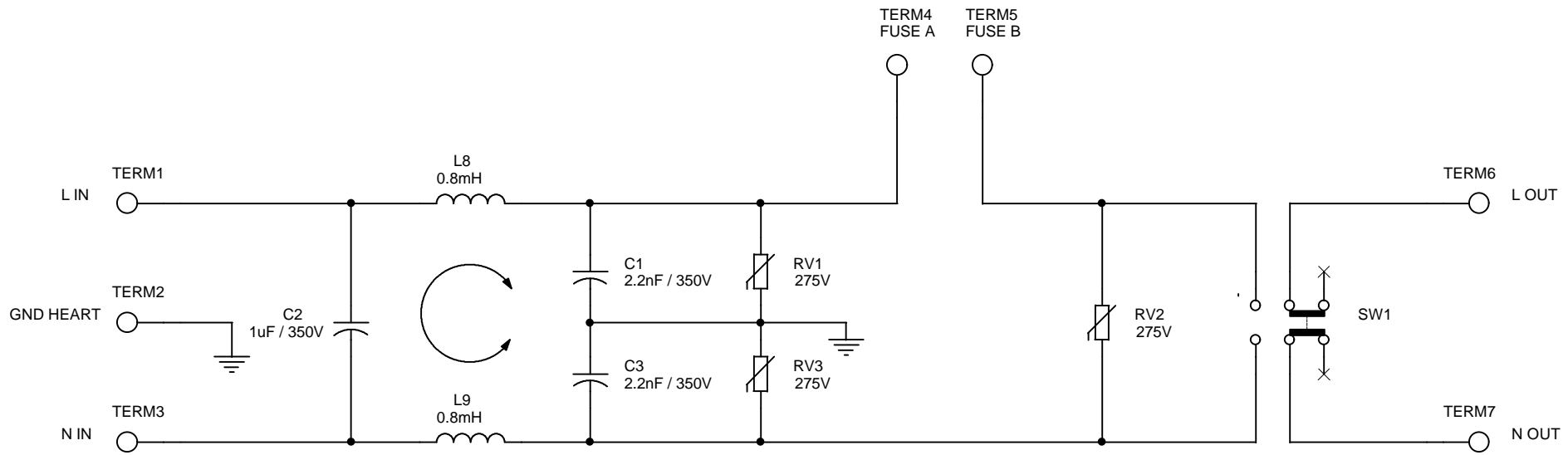



TITLE	NT150 FM EXCITER inside top view	
DATE	03-2004	DRAWING NO. NT150 top view.cdr

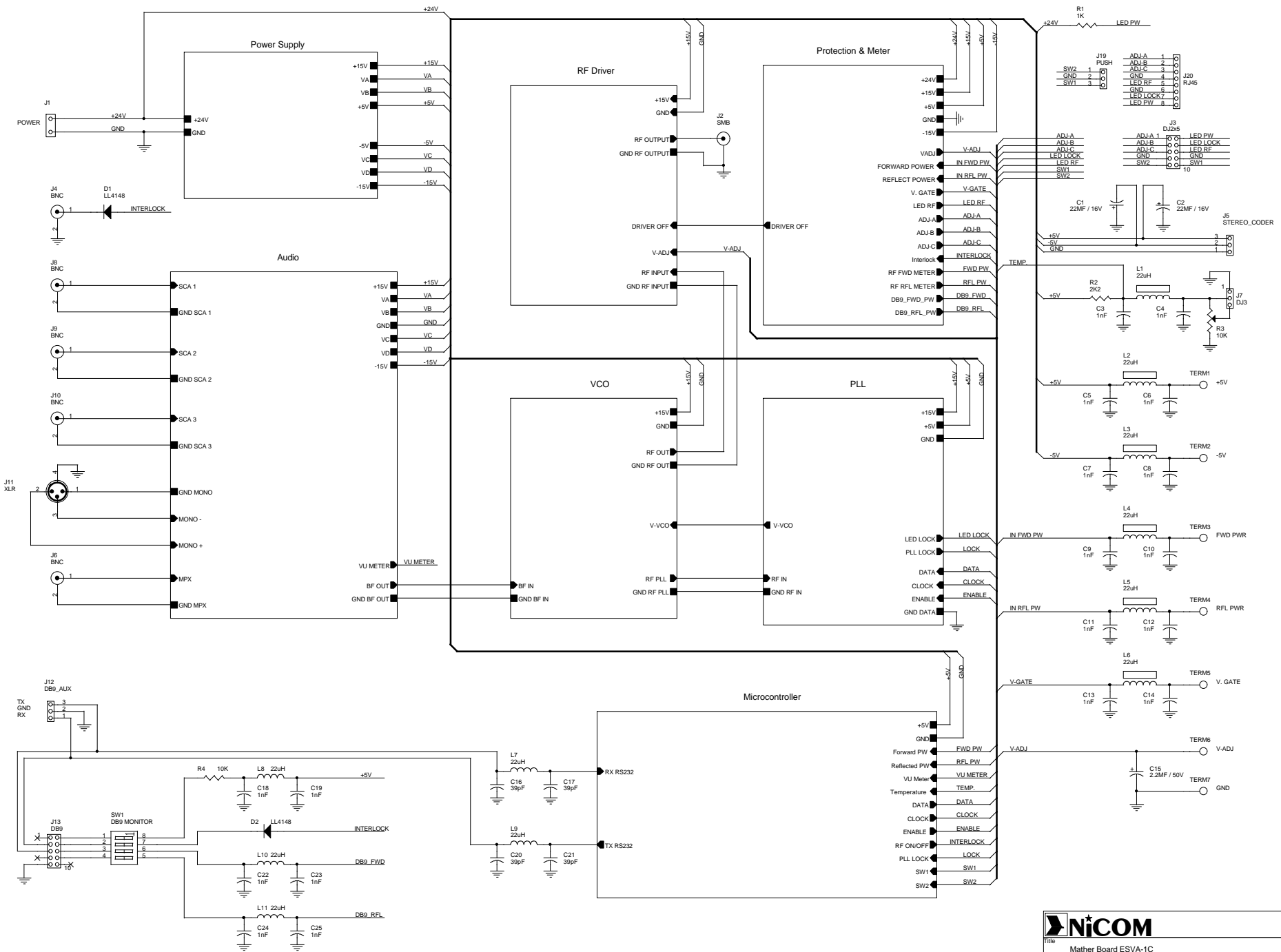


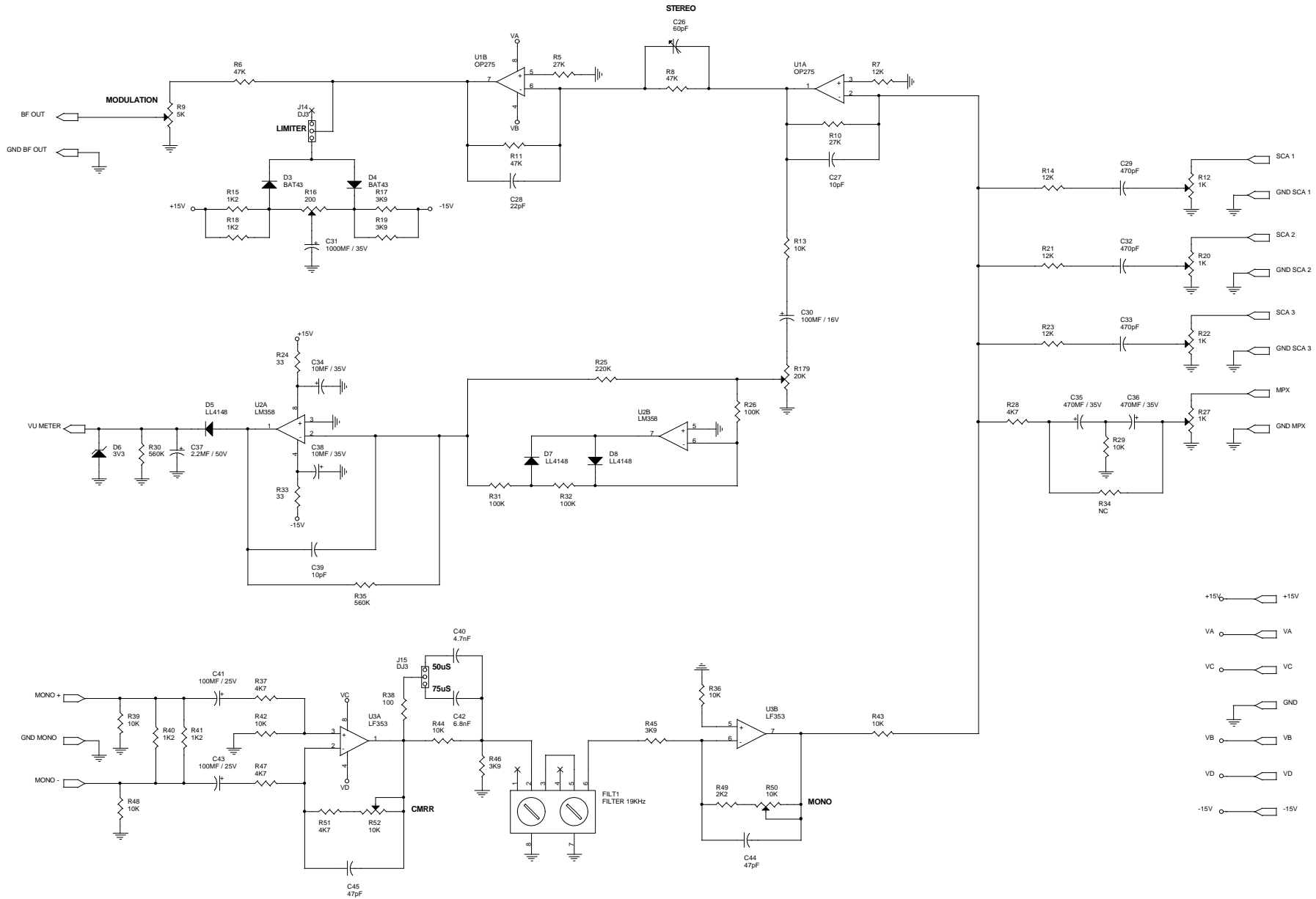


Title		
GENERAL SCHEMATIC		
Size	Document Number	Rev
A3	Mod. NT 150	1.0
Date:	Friday, March 12, 2004	Sheet 1 of 8

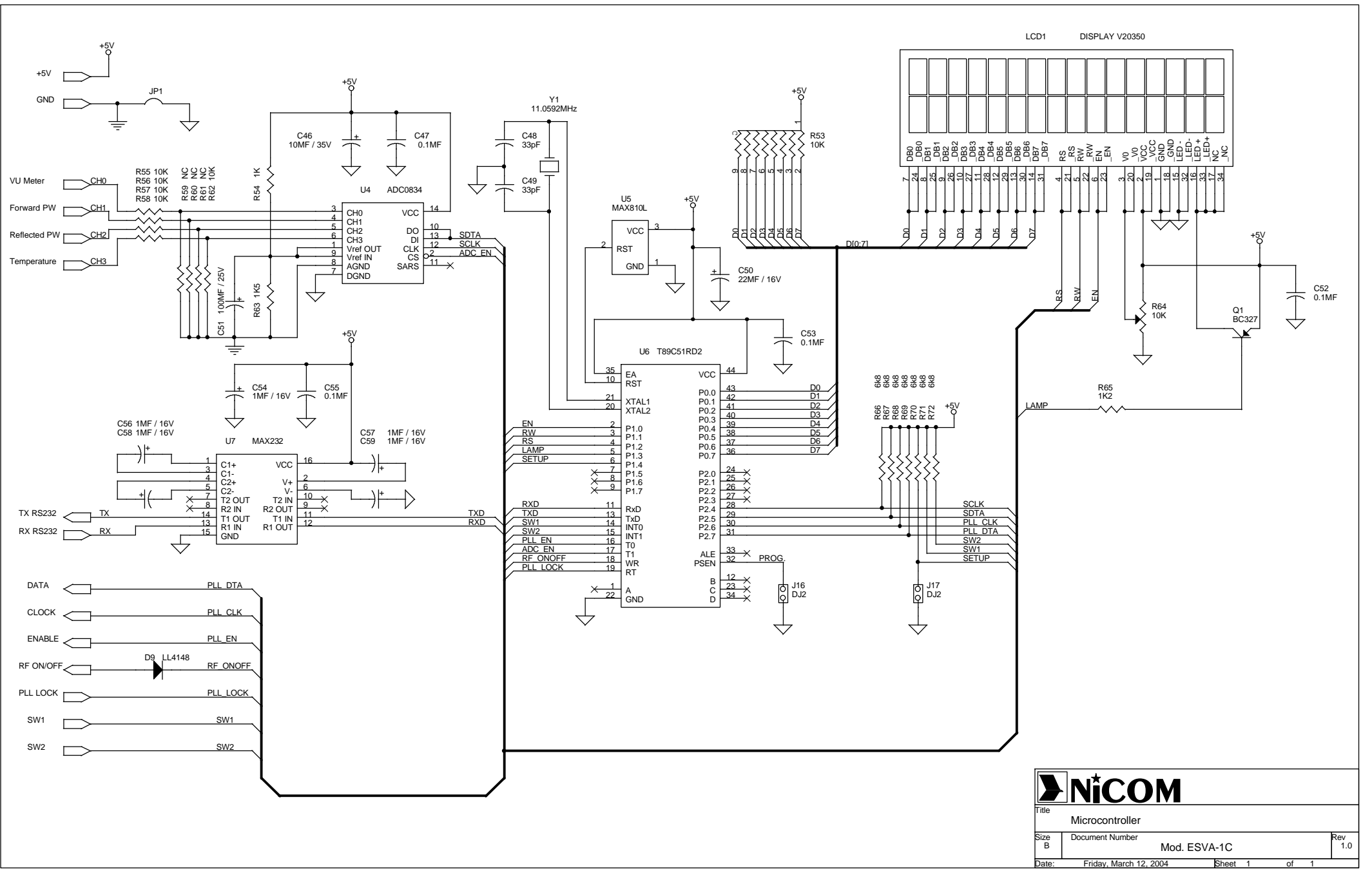


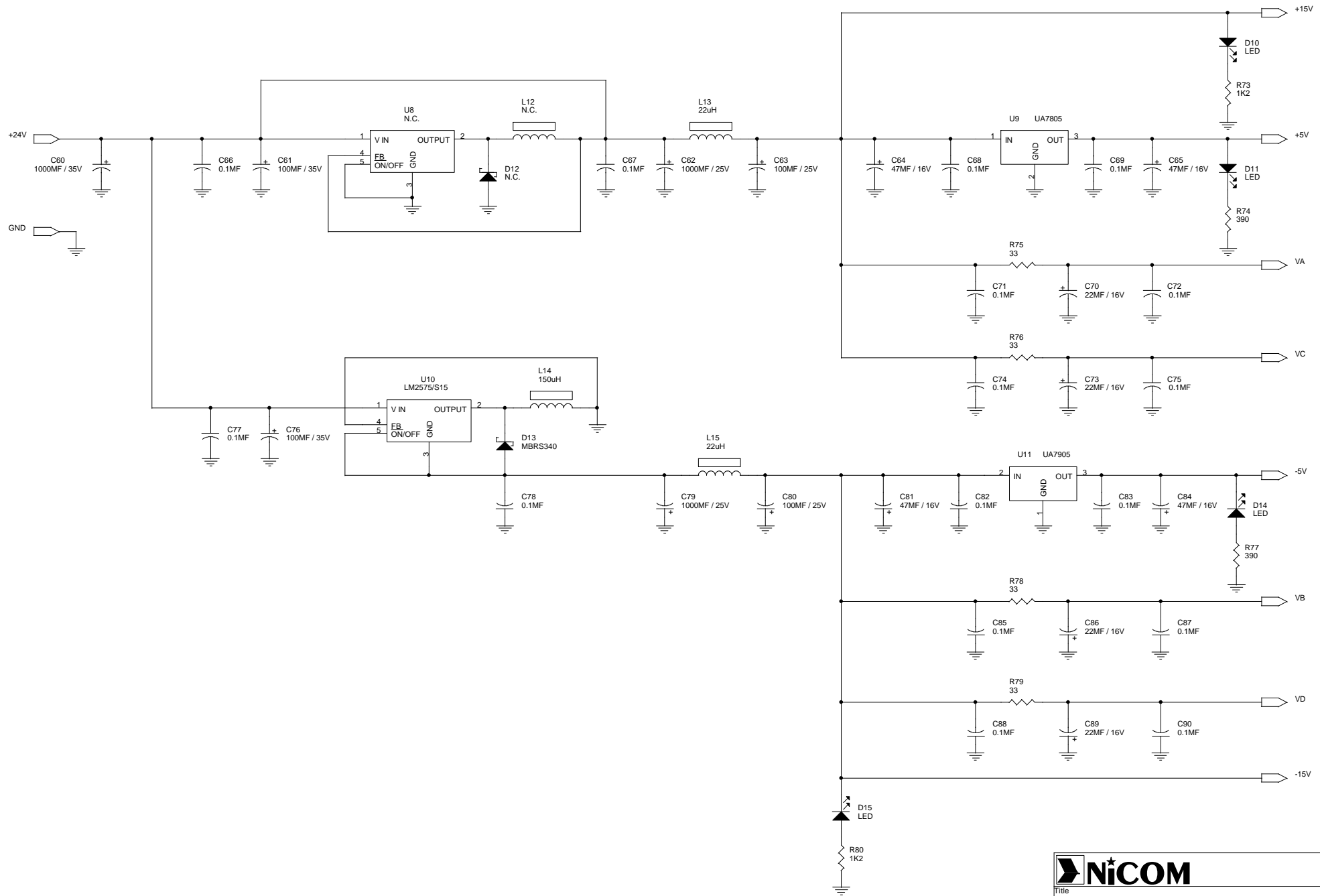
		
Title EMC FILTER		
Size A	Document Number Mod. EMC-03	Rev 1.0
Date:	Friday, January 31, 2003	Sheet 1 of 1



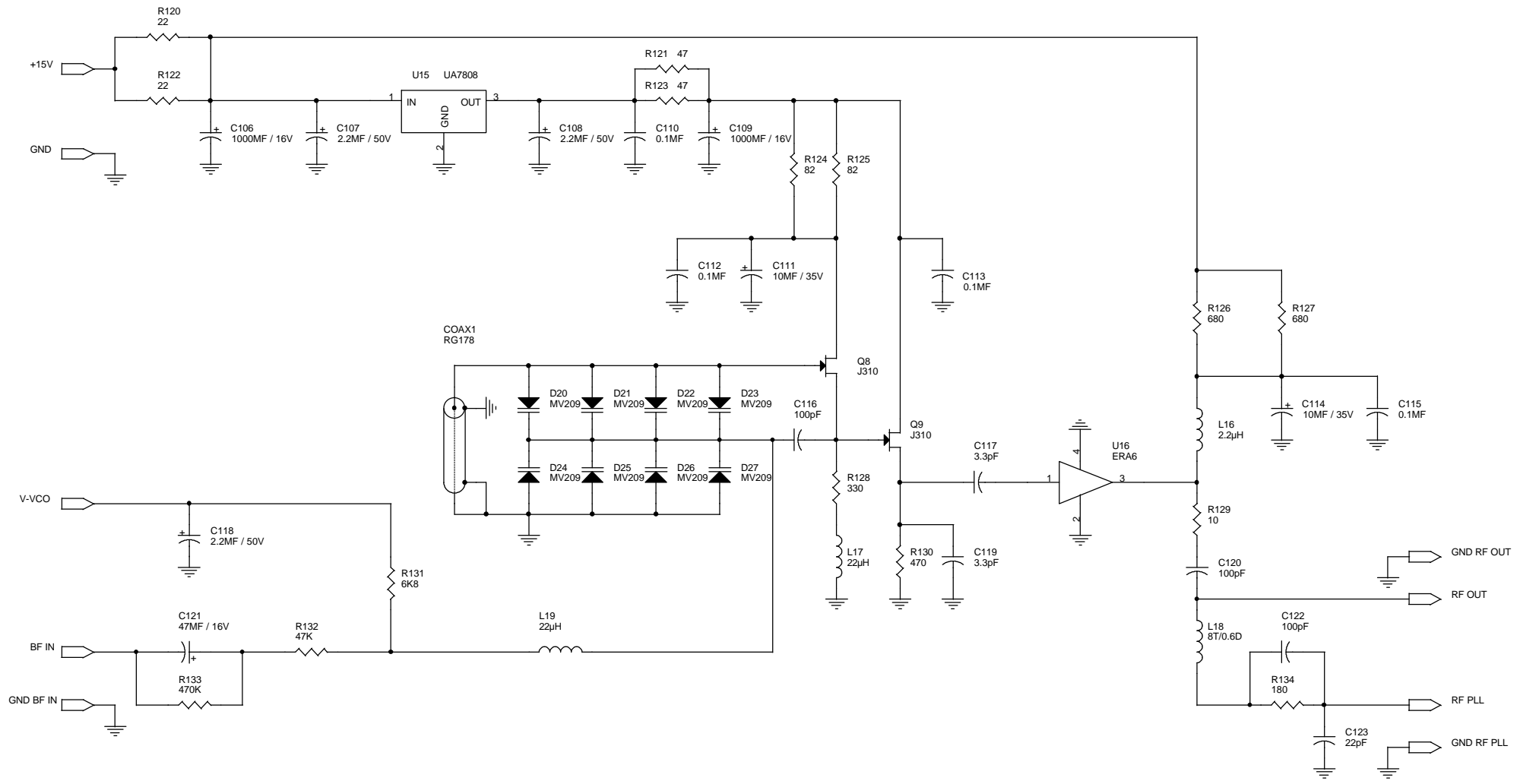


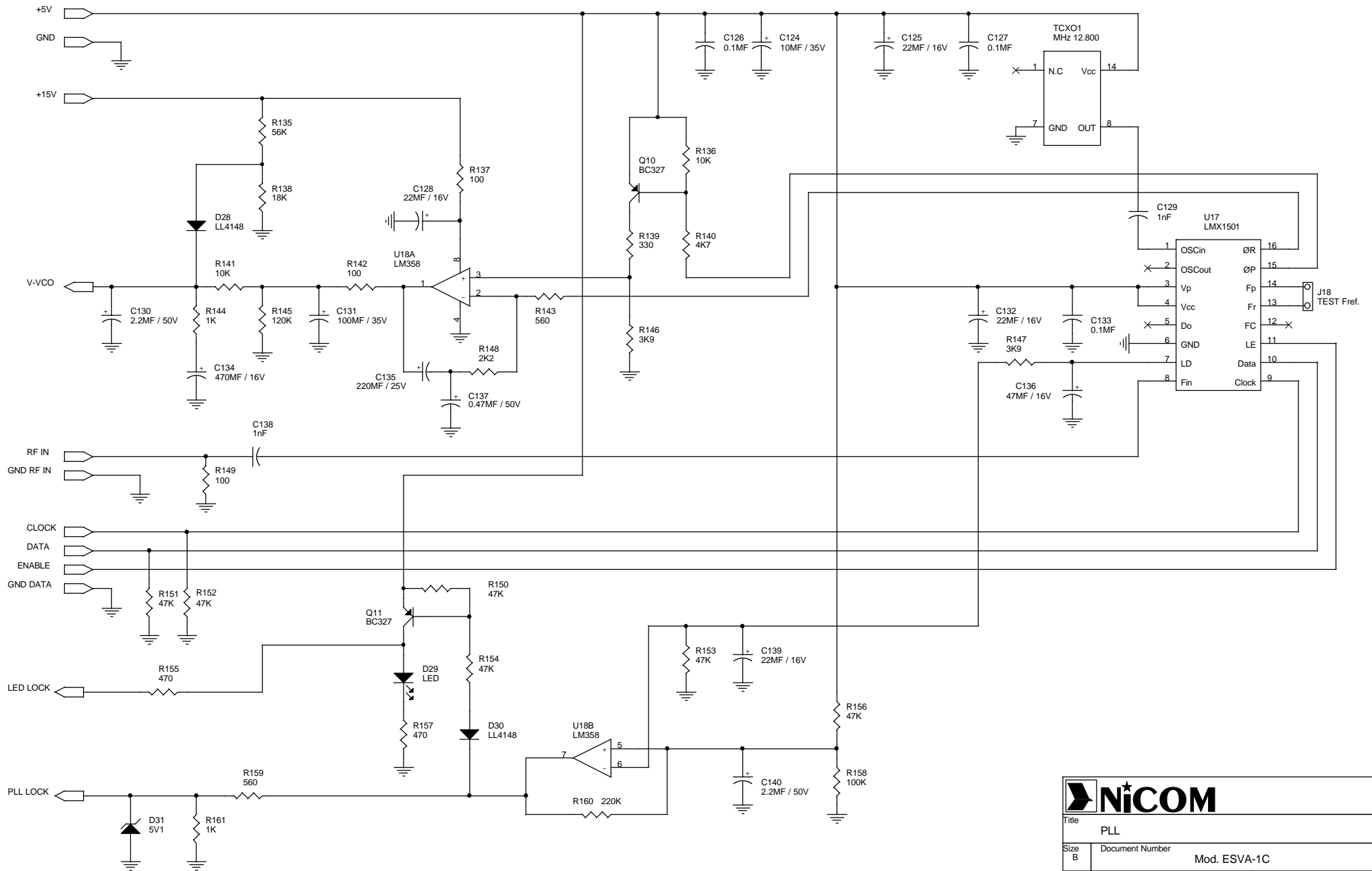
- +15V
- VA
- VC
- GND
- VB
- VD
- 15V





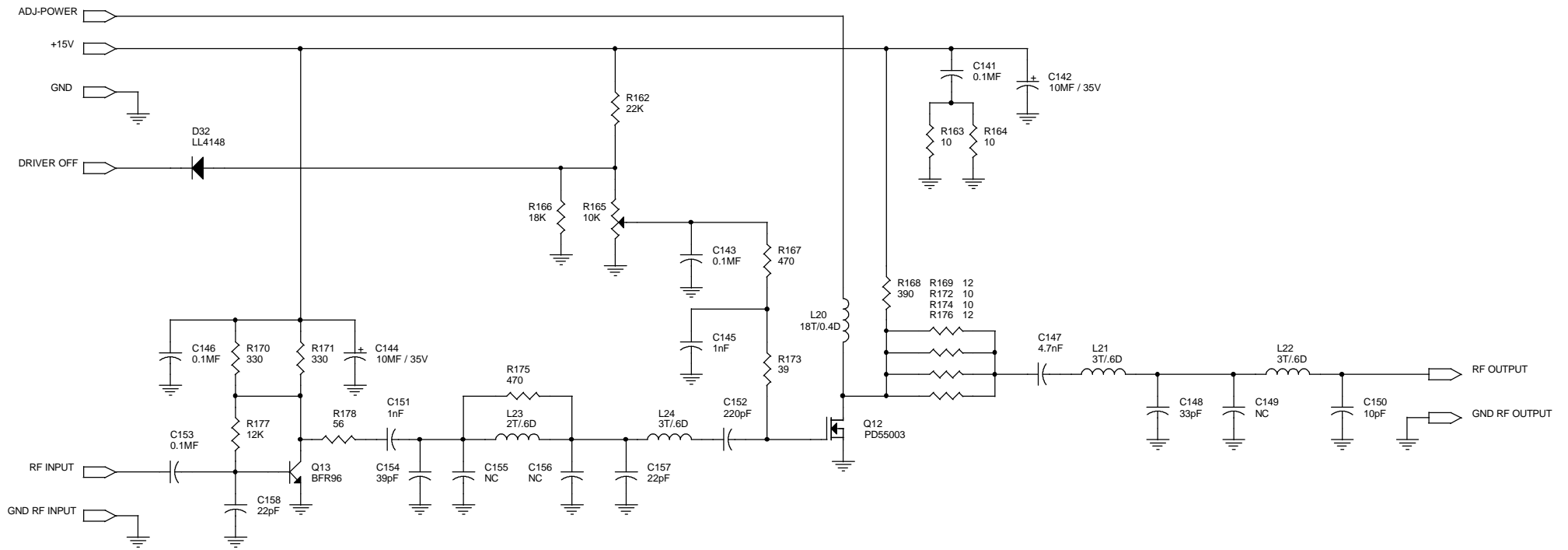
NiCOM		
Title Power Supply		
Size A3	Document Number Mod. ESVA-1C	Rev 1.0
Date: Friday, March 12, 2004	Sheet 1	of 1

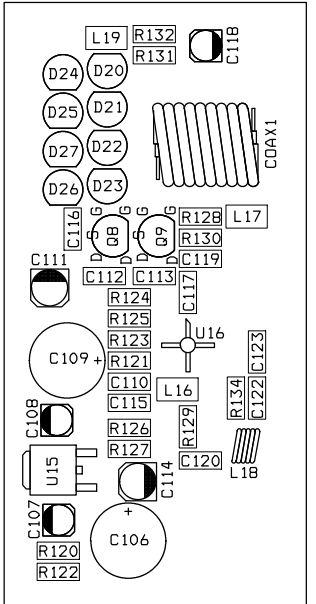
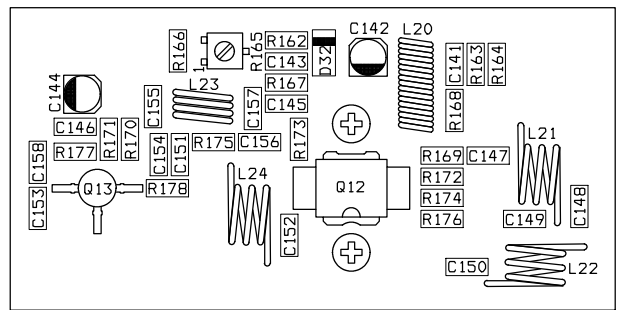
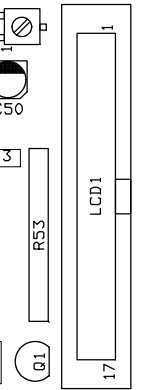
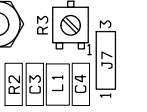
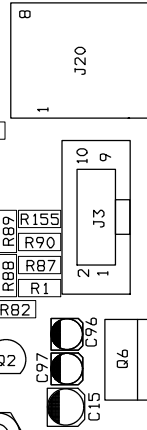
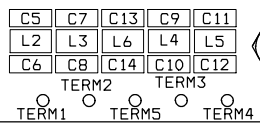
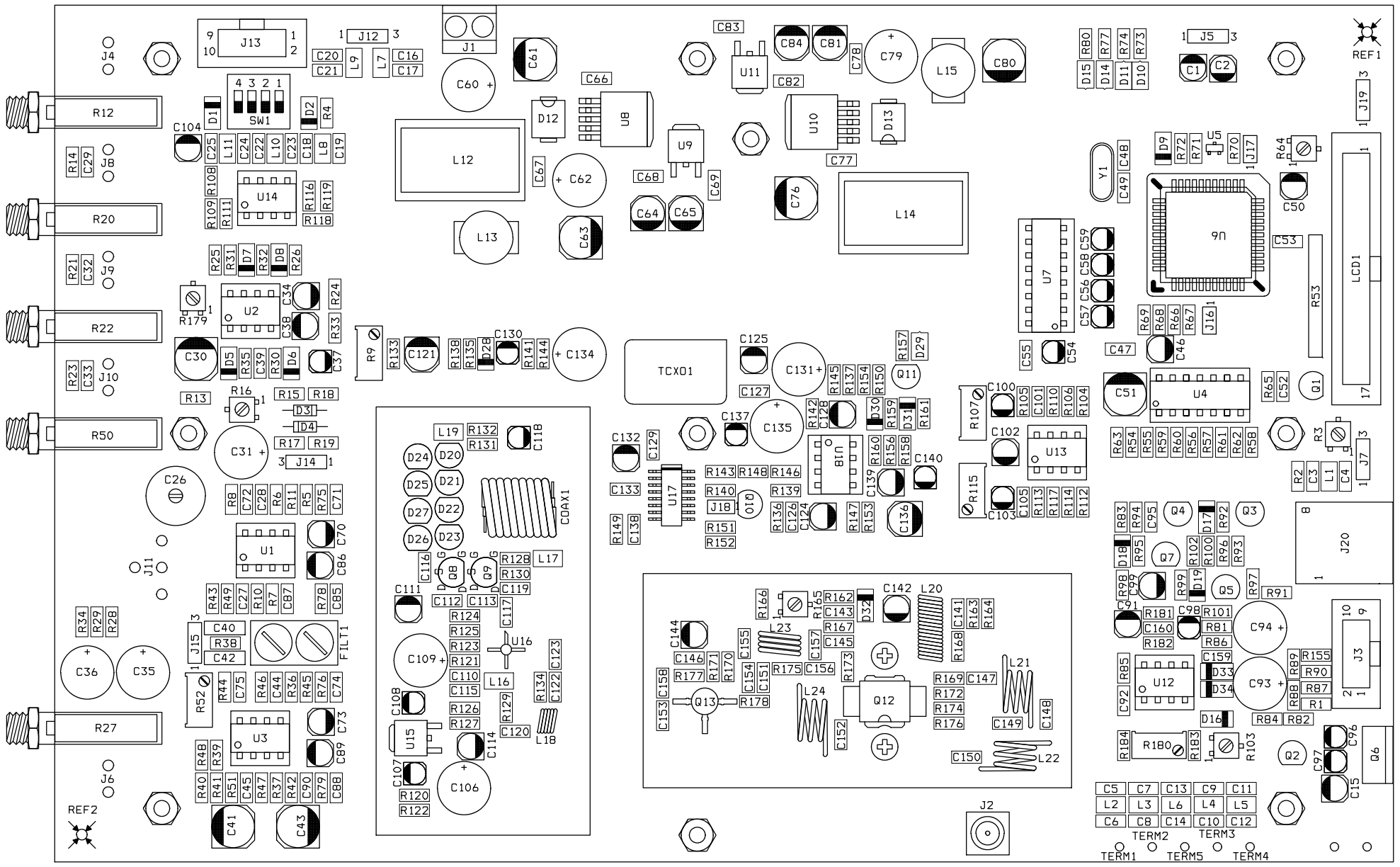




NiCOM

Title		PLL	
Size	Document Number	Mod. ESVA-1C	
B			Rev 1.0
Date:	Friday, March 12, 2004	Sheet 1	of 1





NICOM

Rif.	Value	Remarks	Description	Code
R182	470K	1/4W	SMD Thick Film Resistor	
R183	4K7	1/4W	SMD Thick Film Resistor	
R184	4K7	1/4W	SMD Thick Film Resistor	
R185	100K	1/4W	SMD Thick Film Resistor	
D1	LL4148		SMD Low Power Signal Diode	
D2	LL4148		SMD Low Power Signal Diode	
D3	BAT43		Diode Schottky	
D4	BAT43		Diode Schottky	
D5	LL4148		SMD Low Power Signal Diode	
D6	3V3		SMD Diode Zener	
D7	LL4148		SMD Low Power Signal Diode	
D8	LL4148		SMD Low Power Signal Diode	
D9	LL4148		SMD Low Power Signal Diode	
D10	LED	YELLOW	SMD Light Emitting Diode	
D11	LED	YELLOW	SMD Light Emitting Diode	
D12			N.C.	
D13	MBRS340		SMD Diode Schottky	
D14	LED	YELLOW	SMD Light Emitting Diode	
D15	LED	YELLOW	SMD Light Emitting Diode	
D16	5V1		SMD Diode Zener	
D17	LL4148		SMD Low Power Signal Diode	
D18	LL4148		SMD Low Power Signal Diode	
D19	15V		SMD Diode Zener	
D20	MV209		Tuning Diode	
D21	MV209		Tuning Diode	
D22	MV209		Tuning Diode	
D23	MV209		Tuning Diode	
D24	MV209		Tuning Diode	
D25	MV209		Tuning Diode	
D26	MV209		Tuning Diode	
D27	MV209		Tuning Diode	
D28	LL4148		SMD Low Power Signal Diode	
D29	LED	GREEN	SMD Light Emitting Diode	
D30	LL4148		SMD Low Power Signal Diode	
D31	5V1		SMD Diode Zener	
D32	LL4148		SMD Low Power Signal Diode	
D33	LL4148		SMD Low Power Signal Diode	
D34	LL4148		SMD Low Power Signal Diode	
Q1	BC327		Low Power Bipolar Transistor	
Q2	BC327		Low Power Bipolar Transistor	
Q3	BC337		Low Power Bipolar Transistor	
Q4	BC327		Low Power Bipolar Transistor	
Q5	BC337		Low Power Bipolar Transistor	
Q6	TIP41		Medium Power Bipolar Transistor	
Q7	BC337		Low Power Bipolar Transistor	
Q8	J310		JFET	
Q9	J310		JFET	
Q10	BC327		Low Power Bipolar Transistor	
Q11	BC327		Low Power Bipolar Transistor	
Q12	PD55003		LDMOS	
Q13	BFR96		RF Bipolar Transistor	

NICOM

Rif.	Value	Remarks	Description	Code
C50	22MF / 16V		SMD Aluminium Electrolytic Capacitor	
C51	100MF / 25V		SMD Aluminium Electrolytic Capacitor	
C52	0.1MF		SMD Multilayer Ceramic Capacitor	
C53	0.1MF		SMD Multilayer Ceramic Capacitor	
C54	1MF / 16V		SMD Aluminium Electrolytic Capacitor	
C55	0.1MF		SMD Multilayer Ceramic Capacitor	
C56	1MF / 16V		SMD Aluminium Electrolytic Capacitor	
C57	1MF / 16V		SMD Aluminium Electrolytic Capacitor	
C58	1MF / 16V		SMD Aluminium Electrolytic Capacitor	
C59	1MF / 16V		SMD Aluminium Electrolytic Capacitor	
C60	1000MF / 35V		Aluminium Electrolytic Capacitor	
C61	100MF / 35V		Aluminium Electrolytic Capacitor	
C62	1000MF / 25V		Aluminium Electrolytic Capacitor	
C63	100MF / 25V		SMD Aluminium Electrolytic Capacitor	
C64	47MF / 16V		SMD Aluminium Electrolytic Capacitor	
C65	47MF / 16V		SMD Aluminium Electrolytic Capacitor	
C66	0.1MF		SMD Multilayer Ceramic Capacitor	
C67	0.1MF		SMD Multilayer Ceramic Capacitor	
C68	0.1MF		SMD Multilayer Ceramic Capacitor	
C69	0.1MF		SMD Multilayer Ceramic Capacitor	
C70	22MF / 16V		SMD Aluminium Electrolytic Capacitor	
C71	0.1MF		SMD Multilayer Ceramic Capacitor	
C72	0.1MF		SMD Multilayer Ceramic Capacitor	
C73	22MF / 16V		SMD Aluminium Electrolytic Capacitor	
C74	0.1MF		SMD Multilayer Ceramic Capacitor	
C75	0.1MF		SMD Multilayer Ceramic Capacitor	
C76	100MF / 35V		Aluminium Electrolytic Capacitor	
C77	0.1MF		SMD Multilayer Ceramic Capacitor	
C78	0.1MF		SMD Multilayer Ceramic Capacitor	
C79	1000MF / 25V		Aluminium Electrolytic Capacitor	
C80	100MF / 25V		SMD Aluminium Electrolytic Capacitor	
C81	47MF / 16V		SMD Aluminium Electrolytic Capacitor	
C82	0.1MF		SMD Multilayer Ceramic Capacitor	
C83	0.1MF		SMD Multilayer Ceramic Capacitor	
C84	47MF / 16V		SMD Aluminium Electrolytic Capacitor	
C85	0.1MF		SMD Multilayer Ceramic Capacitor	
C86	22MF / 16V		SMD Aluminium Electrolytic Capacitor	
C87	0.1MF		SMD Multilayer Ceramic Capacitor	
C88	0.1MF		SMD Multilayer Ceramic Capacitor	
C89	22MF / 16V		SMD Aluminium Electrolytic Capacitor	
C90	0.1MF		SMD Multilayer Ceramic Capacitor	
C91	10MF / 35V		SMD Aluminium Electrolytic Capacitor	
C92	0.1MF		SMD Multilayer Ceramic Capacitor	
C93	470MF / 35V		Aluminium Electrolytic Capacitor	
C94	470MF / 35V		Aluminium Electrolytic Capacitor	
C95	0.1MF		SMD Multilayer Ceramic Capacitor	
C96	2.2MF / 50V		SMD Aluminium Electrolytic Capacitor	
C97	2.2MF / 50V		SMD Aluminium Electrolytic Capacitor	
C98	2.2MF / 50V		SMD Aluminium Electrolytic Capacitor	
C99	10MF / 35V		SMD Aluminium Electrolytic Capacitor	
C100	2.2MF / 50V		SMD Aluminium Electrolytic Capacitor	
C101	0.1MF		SMD Multilayer Ceramic Capacitor	
C102	10MF / 35V		SMD Aluminium Electrolytic Capacitor	

NICOM

Rif.	Value	Remarks	Description	Code
C103	2.2MF / 50V		SMD Aluminium Electrolytic Capacitor	
C104	10MF / 35V		SMD Aluminium Electrolytic Capacitor	
C105	0.1MF		SMD Multilayer Ceramic Capacitor	
C106	1000MF / 16V		Aluminium Electrolytic Capacitor	
C107	2.2MF / 50V		SMD Aluminium Electrolytic Capacitor	
C108	2.2MF / 50V		SMD Aluminium Electrolytic Capacitor	
C109	1000MF / 16V		Aluminium Electrolytic Capacitor	
C110	0.1MF		SMD Multilayer Ceramic Capacitor	
C111	10MF / 35V		SMD Aluminium Electrolytic Capacitor	
C112	0.1MF		SMD Multilayer Ceramic Capacitor	
C113	0.1MF		SMD Multilayer Ceramic Capacitor	
C114	10MF / 35V		SMD Aluminium Electrolytic Capacitor	
C115	0.1MF		SMD Multilayer Ceramic Capacitor	
C116	100pF		SMD Multilayer Ceramic Capacitor	
C117	3.3pF		SMD Multilayer Ceramic Capacitor	
C118	2.2MF / 50V		SMD Aluminium Electrolytic Capacitor	
C119	3.3pF		SMD Multilayer Ceramic Capacitor	
C120	100pF		SMD Multilayer Ceramic Capacitor	
C121	47MF / 16V		SMD Aluminium Electrolytic Capacitor	
C122	100pF		SMD Multilayer Ceramic Capacitor	
C123	22pF		SMD Multilayer Ceramic Capacitor	
C124	10MF / 35V		SMD Multilayer Ceramic Capacitor	
C125	22MF / 16V		SMD Aluminium Electrolytic Capacitor	
C126	0.1MF		SMD Multilayer Ceramic Capacitor	
C127	0.1MF		SMD Multilayer Ceramic Capacitor	
C128	22MF / 16V		SMD Aluminium Electrolytic Capacitor	
C129	1nF		SMD Multilayer Ceramic Capacitor	
C130	2.2MF / 50V		SMD Aluminium Electrolytic Capacitor	
C131	100MF / 35V		Aluminium Electrolytic Capacitor	
C132	22MF / 16V		SMD Aluminium Electrolytic Capacitor	
C133	0.1MF		SMD Multilayer Ceramic Capacitor	
C134	470MF / 16V		Aluminium Electrolytic Capacitor	
C135	220MF / 25V		Aluminium Electrolytic Capacitor	
C136	47MF / 16V		SMD Aluminium Electrolytic Capacitor	
C137	0.47MF / 50V		SMD Aluminium Electrolytic Capacitor	
C138	1nF		SMD Multilayer Ceramic Capacitor	
C139	22MF / 16V		SMD Aluminium Electrolytic Capacitor	
C140	2.2MF / 50V		SMD Aluminium Electrolytic Capacitor	
C141	0.1MF		SMD Multilayer Ceramic Capacitor	
C142	10MF / 35V		SMD Aluminium Electrolytic Capacitor	
C143	0.1MF		SMD Multilayer Ceramic Capacitor	
C144	10MF / 35V		SMD Aluminium Electrolytic Capacitor	
C145	1nF		SMD Multilayer Ceramic Capacitor	
C146	0.1MF		SMD Multilayer Ceramic Capacitor	
C147	4.7nF		SMD Multilayer Ceramic Capacitor	
C148	33pF		SMD Multilayer Ceramic Capacitor	
C149	NC			
C150	10pF		SMD Multilayer Ceramic Capacitor	
C151	1nF		SMD Multilayer Ceramic Capacitor	
C152	220pF		SMD Multilayer Ceramic Capacitor	
C153	0.1MF		SMD Multilayer Ceramic Capacitor	
C154	39pF		SMD Multilayer Ceramic Capacitor	
C155	NC			

NICOM

Rif.	Value	Remarks	Description	Code
C156	NC			
C157	22pF		SMD Multilayer Ceramic Capacitor	
C158	22pF		SMD Multilayer Ceramic Capacitor	
C159	0.1MF		SMD Multilayer Ceramic Capacitor	
C160	1nF		SMD Multilayer Ceramic Capacitor	
L1	22uH		SMD Inductor	
L2	22uH		SMD Inductor	
L3	22uH		SMD Inductor	
L4	22uH		SMD Inductor	
L5	22uH		SMD Inductor	
L6	22uH		SMD Inductor	
L7	22uH		SMD Inductor	
L8	22uH		SMD Inductor	
L9	22uH		SMD Inductor	
L10	22uH		SMD Inductor	
L11	22uH		SMD Inductor	
L12			N.C.	
L13	22uH		Suppression Choke	
L14	150uH		Toroidal Inductor	
L15	22uH		Suppression Choke	
L16	2.2uH		SMD Inductor	
L17	22uH		SMD Inductor	
L18	8T/0.6D		Enamelled Copper Wire	
L19	22uH		SMD Inductor	
L20	18T/0.4D		Enamelled Copper Wire	
L21	3T/6D		Tinned Copper Wire	
L22	3T/6D		Tinned Copper Wire	
L23	2T/6D		Enamelled Copper Wire	
L24	3T/6D		Tinned Copper Wire	
R1	1K	1/4W	SMD Thick Film Resistor	
R2	2K2	1/4W	SMD Thick Film Resistor	
R3	10K	1/4W	SMD Cermet Skeleton Trimmer Resistor	
R4	10K	1/4W	SMD Thick Film Resistor	
R5	27K	1/4W	SMD Thick Film Resistor	
R6	47K	1/4W	SMD Thick Film Resistor	
R7	12K	1/4W	SMD Thick Film Resistor	
R8	47K	1/4W	SMD Thick Film Resistor	
R9	5K	1/4W	SMD Thick Film Resistor	
R10	27K	1/4W	SMD Thick Film Resistor	
R11	47K	1/4W	SMD Thick Film Resistor	
R12	1K	1/4W	Multi Turn Cermet Trimmer Resistor Panel Mount	
R13	10K	1/4W	SMD Thick Film Resistor	
R14	12K	1/4W	SMD Thick Film Resistor	
R15	1K2	1/4W	SMD Thick Film Resistor	
R16	200	1/4W	SMD Cermet Skeleton Trimmer Resistor	
R17	3K9	1/4W	SMD Thick Film Resistor	
R18	1K2	1/4W	SMD Thick Film Resistor	
R19	3K9	1/4W	SMD Thick Film Resistor	
R20	1K	1/4W	Multi Turn Cermet Trimmer Resistor Panel Mount	
R21	12K	1/4W	SMD Thick Film Resistor	
R22	1K	1/4W	Multi Turn Cermet Trimmer Resistor Panel Mount	

NICOM

Rif.	Value	Remarks	Description	Code
R23	12K	1/4W	SMD Thick Film Resistor	
R24	33	1/4W	SMD Thick Film Resistor	
R25	220K	1/4W	SMD Thick Film Resistor	
R26	100K	1/4W	SMD Thick Film Resistor	
R27	1K	1/4W	Multi Turn Cermet Trimmer Resistor Panel Mount	
R28	4K7	1/4W	SMD Thick Film Resistor	
R29	10K	1/4W	SMD Thick Film Resistor	
R30	560K	1/4W	SMD Thick Film Resistor	
R31	100K	1/4W	SMD Thick Film Resistor	
R32	100K	1/4W	SMD Thick Film Resistor	
R33	33	1/4W	SMD Thick Film Resistor	
R34	NC	1/4W	SMD Thick Film Resistor	
R35	560K	1/4W	SMD Thick Film Resistor	
R36	10K	1/4W	SMD Thick Film Resistor	
R37	4K7	1/4W	SMD Thick Film Resistor	
R38	100	1/4W	SMD Thick Film Resistor	
R39	10K	1/4W	SMD Thick Film Resistor	
R40	1K2	1/4W	SMD Thick Film Resistor	
R41	1K2	1/4W	SMD Thick Film Resistor	
R42	10K	1/4W	SMD Thick Film Resistor	
R43	10K	1/4W	SMD Thick Film Resistor	
R44	10K	1/4W	SMD Thick Film Resistor	
R45	3K9	1/4W	SMD Thick Film Resistor	
R46	3K9	1/4W	SMD Thick Film Resistor	
R47	4K7	1/4W	SMD Thick Film Resistor	
R48	10K	1/4W	SMD Thick Film Resistor	
R49	2K2	1/4W	SMD Thick Film Resistor	
R50	10K	1/4W	Multi Turn Cermet Trimmer Resistor Panel Mount	
R51	4K7	1/4W	SMD Thick Film Resistor	
R52	10K	1/4W	Multi Turn Cermet Trimmer Resistor	
R53	10K	1/4W	SMD Thick Film Resistor	
R54	1K	1/4W	SMD Thick Film Resistor	
R55	10K	1/4W	SMD Thick Film Resistor	
R56	10K	1/4W	SMD Thick Film Resistor	
R57	10K	1/4W	SMD Thick Film Resistor	
R58	10K	1/4W	SMD Thick Film Resistor	
R59	NC			
R60	NC			
R61	NC			
R62	10K	1/4W	SMD Thick Film Resistor	
R63	1K5	1/4W	SMD Thick Film Resistor	
R64	10K	1/4W	SMD Cermet Skeleton Trimmer Resistor	
R65	1K2	1/4W	SMD Thick Film Resistor	
R66	6k8	1/4W	SMD Thick Film Resistor	
R67	6k8	1/4W	SMD Thick Film Resistor	
R68	6k8	1/4W	SMD Thick Film Resistor	
R69	6k8	1/4W	SMD Thick Film Resistor	
R70	6k8	1/4W	SMD Thick Film Resistor	
R71	6k8	1/4W	SMD Thick Film Resistor	
R72	6k8	1/4W	SMD Thick Film Resistor	
R73	1K2	1/4W	SMD Thick Film Resistor	
R74	390	1/4W	SMD Thick Film Resistor	
R75	33	1/4W	SMD Thick Film Resistor	

NICOM

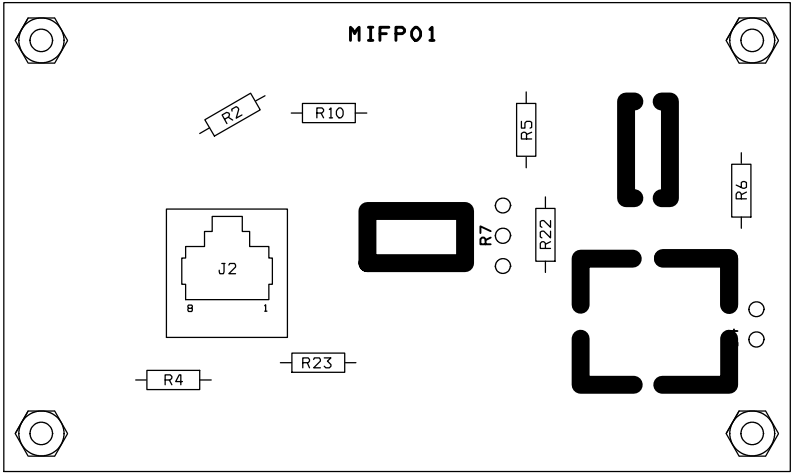
Rif.	Value	Remarks	Description	Code
R76	33	1/4W	SMD Thick Film Resistor	
R77	390	1/4W	SMD Thick Film Resistor	
R78	33	1/4W	SMD Thick Film Resistor	
R79	33	1/4W	SMD Thick Film Resistor	
R80	1K2	1/4W	SMD Thick Film Resistor	
R81	47K	1/4W	SMD Thick Film Resistor	
R82	47K	1/4W	SMD Thick Film Resistor	
R83	100K	1/4W	SMD Thick Film Resistor	
R84	47K	1/4W	SMD Thick Film Resistor	
R85	47K	1/4W	SMD Thick Film Resistor	
R86	47K	1/4W	SMD Thick Film Resistor	
R87	2K2	1/4W	SMD Thick Film Resistor	
R88	150	1/4W	SMD Thick Film Resistor	
R89	150	1/4W	SMD Thick Film Resistor	
R90	33	1/4W	SMD Thick Film Resistor	
R91	10	1/4W	SMD Thick Film Resistor	
R92	4K7	1/4W	SMD Thick Film Resistor	
R93	47K	1/4W	SMD Thick Film Resistor	
R94	47K	1/4W	SMD Thick Film Resistor	
R95	47K	1/4W	SMD Thick Film Resistor	
R96	12K	1/4W	SMD Thick Film Resistor	
R97	47K	1/4W	SMD Thick Film Resistor	
R98	560	1/4W	SMD Thick Film Resistor	
R99	100	1/4W	SMD Thick Film Resistor	
R100	27K	1/4W	SMD Thick Film Resistor	
R101	3K3	1/4W	SMD Thick Film Resistor	
R102	100K	1/4W	SMD Thick Film Resistor	
R103	5K	1/4W	SMD Cermet Skeleton Trimmer Resistor	
R104	12K	1/4W	SMD Thick Film Resistor	
R105	10K	1/4W	SMD Thick Film Resistor	
R106	1K2	1/4W	SMD Thick Film Resistor	
R107	50K	1/4W	SMD Thick Film Resistor	
R108	100	1/4W	SMD Thick Film Resistor	
R109	10K	1/4W	SMD Thick Film Resistor	
R110	12K	1/4W	SMD Thick Film Resistor	
R111	10K	1/4W	SMD Thick Film Resistor	
R112	12K	1/4W	SMD Thick Film Resistor	
R113	10K	1/4W	SMD Thick Film Resistor	
R114	8K2	1/4W	SMD Thick Film Resistor	
R115	50K	1/4W	SMD Thick Film Resistor	
R116	100	1/4W	SMD Thick Film Resistor	
R117	12K	1/4W	SMD Thick Film Resistor	
R118	10K	1/4W	SMD Thick Film Resistor	
R119	10K	1/4W	SMD Thick Film Resistor	
R120	22	1/4W	SMD Thick Film Resistor	
R121	47	1/4W	SMD Thick Film Resistor	
R122	22	1/4W	SMD Thick Film Resistor	
R123	47	1/4W	SMD Thick Film Resistor	
R124	82	1/4W	SMD Thick Film Resistor	
R125	82	1/4W	SMD Thick Film Resistor	
R126	680	1/4W	SMD Thick Film Resistor	
R127	680	1/4W	SMD Thick Film Resistor	
R128	330	1/4W	SMD Thick Film Resistor	

NICOM

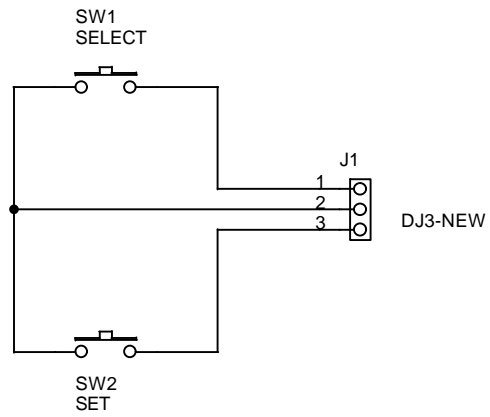
Rif.	Value	Remarks	Description	Code
R129	10	1/4W	SMD Thick Film Resistor	
R130	470	1/4W	SMD Thick Film Resistor	
R131	6K8	1/4W	SMD Thick Film Resistor	
R132	47K	1/4W	SMD Thick Film Resistor	
R133	470K	1/4W	SMD Thick Film Resistor	
R134	180	1/4W	SMD Thick Film Resistor	
R135	56K	1/4W	SMD Thick Film Resistor	
R136	10K	1/4W	SMD Thick Film Resistor	
R137	100	1/4W	SMD Thick Film Resistor	
R138	18K	1/4W	SMD Thick Film Resistor	
R139	330	1/4W	SMD Thick Film Resistor	
R140	4K7	1/4W	SMD Thick Film Resistor	
R141	10K	1/4W	SMD Thick Film Resistor	
R142	100	1/4W	SMD Thick Film Resistor	
R143	560	1/4W	SMD Thick Film Resistor	
R144	1K	1/4W	SMD Thick Film Resistor	
R145	120K	1/4W	SMD Thick Film Resistor	
R146	3K9	1/4W	SMD Thick Film Resistor	
R147	3K9	1/4W	SMD Thick Film Resistor	
R148	2K2	1/4W	SMD Thick Film Resistor	
R149	100	1/4W	SMD Thick Film Resistor	
R150	47K	1/4W	SMD Thick Film Resistor	
R151	47K	1/4W	SMD Thick Film Resistor	
R152	47K	1/4W	SMD Thick Film Resistor	
R153	47K	1/4W	SMD Thick Film Resistor	
R154	47K	1/4W	SMD Thick Film Resistor	
R155	470	1/4W	SMD Thick Film Resistor	
R156	47K	1/4W	SMD Thick Film Resistor	
R157	470	1/4W	SMD Thick Film Resistor	
R158	100K	1/4W	SMD Thick Film Resistor	
R159	560	1/4W	SMD Thick Film Resistor	
R160	220K	1/4W	SMD Thick Film Resistor	
R161	1K	1/4W	SMD Thick Film Resistor	
R162	22K	1/4W	SMD Thick Film Resistor	
R163	10	1/4W	SMD Thick Film Resistor	
R164	10	1/4W	SMD Thick Film Resistor	
R165	10K	1/4W	SMD Cermet Skeleton Trimmer Resistor	
R166	18K	1/4W	SMD Thick Film Resistor	
R167	470	1/4W	SMD Thick Film Resistor	
R168	390	1/4W	SMD Thick Film Resistor	
R169	12	1/4W	SMD Thick Film Resistor	
R170	330	1/4W	SMD Thick Film Resistor	
R171	330	1/4W	SMD Thick Film Resistor	
R172	10	1/4W	SMD Thick Film Resistor	
R173	39	1/4W	SMD Thick Film Resistor	
R174	10	1/4W	SMD Thick Film Resistor	
R175	470	1/4W	SMD Thick Film Resistor	
R176	12	1/4W	SMD Thick Film Resistor	
R177	12K	1/4W	SMD Thick Film Resistor	
R178	56	1/4W	SMD Thick Film Resistor	
R179	20K	1/4W	SMD Cermet Skeleton Trimmer Resistor	
R180	5K	1/4W	Multi Turn Cermet Trimmer Resistor	
R181	1K	1/4W	SMD Thick Film Resistor	


NICOM

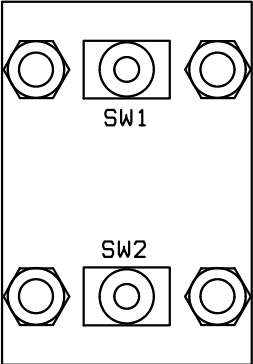
Rif.	Value	Remarks	Description	Code
R182	470K	1/4W	SMD Thick Film Resistor	
R183	4K7	1/4W	SMD Thick Film Resistor	
R184	4K7	1/4W	SMD Thick Film Resistor	
R185	100K	1/4W	SMD Thick Film Resistor	
D1	LL4148		SMD Low Power Signal Diode	
D2	LL4148		SMD Low Power Signal Diode	
D3	BAT43		Diode Schottky	
D4	BAT43		Diode Schottky	
D5	LL4148		SMD Low Power Signal Diode	
D6	3V3		SMD Diode Zener	
D7	LL4148		SMD Low Power Signal Diode	
D8	LL4148		SMD Low Power Signal Diode	
D9	LL4148		SMD Low Power Signal Diode	
D10	LED	YELLOW	SMD Light Emitting Diode	
D11	LED	YELLOW	SMD Light Emitting Diode	
D12			N.C.	
D13	MBRS340		SMD Diode Schottky	
D14	LED	YELLOW	SMD Light Emitting Diode	
D15	LED	YELLOW	SMD Light Emitting Diode	
D16	5V1		SMD Diode Zener	
D17	LL4148		SMD Low Power Signal Diode	
D18	LL4148		SMD Low Power Signal Diode	
D19	15V		SMD Diode Zener	
D20	MV209		Tuning Diode	
D21	MV209		Tuning Diode	
D22	MV209		Tuning Diode	
D23	MV209		Tuning Diode	
D24	MV209		Tuning Diode	
D25	MV209		Tuning Diode	
D26	MV209		Tuning Diode	
D27	MV209		Tuning Diode	
D28	LL4148		SMD Low Power Signal Diode	
D29	LED	GREEN	SMD Light Emitting Diode	
D30	LL4148		SMD Low Power Signal Diode	
D31	5V1		SMD Diode Zener	
D32	LL4148		SMD Low Power Signal Diode	
D33	LL4148		SMD Low Power Signal Diode	
D34	LL4148		SMD Low Power Signal Diode	
Q1	BC327		Low Power Bipolar Transistor	
Q2	BC327		Low Power Bipolar Transistor	
Q3	BC337		Low Power Bipolar Transistor	
Q4	BC327		Low Power Bipolar Transistor	
Q5	BC337		Low Power Bipolar Transistor	
Q6	TIP41		Medium Power Bipolar Transistor	
Q7	BC337		Low Power Bipolar Transistor	
Q8	J310		JFET	
Q9	J310		JFET	
Q10	BC327		Low Power Bipolar Transistor	
Q11	BC327		Low Power Bipolar Transistor	
Q12	PD55003		LDMOS	
Q13	BFR96		RF Bipolar Transistor	

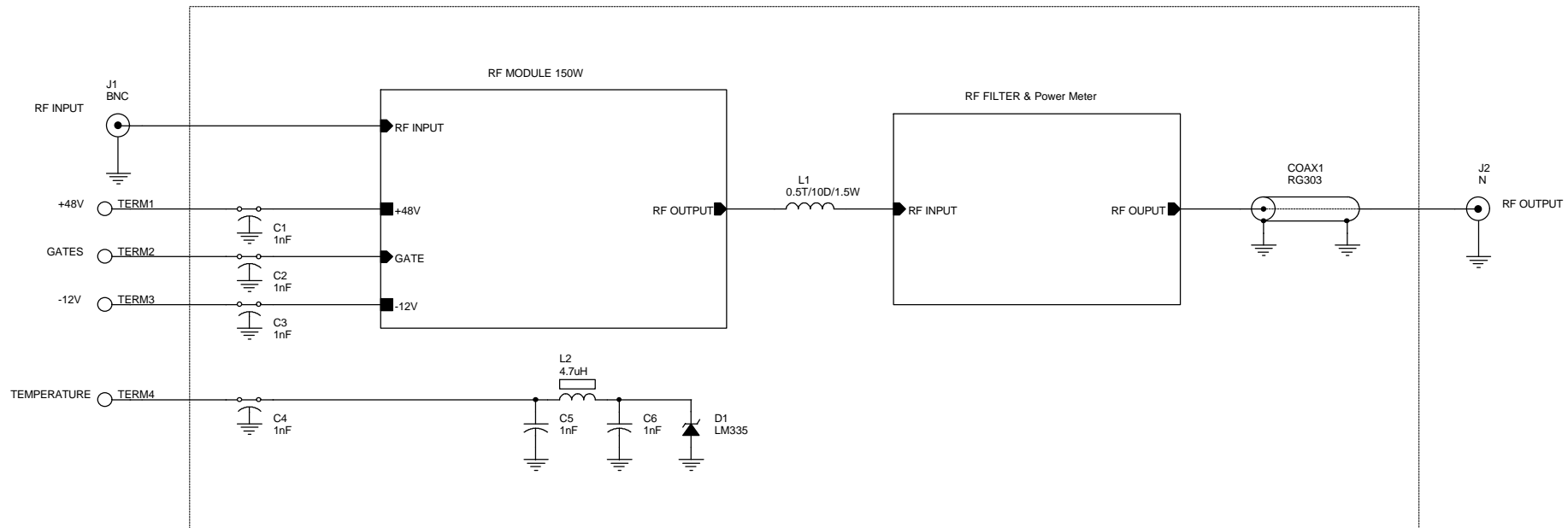




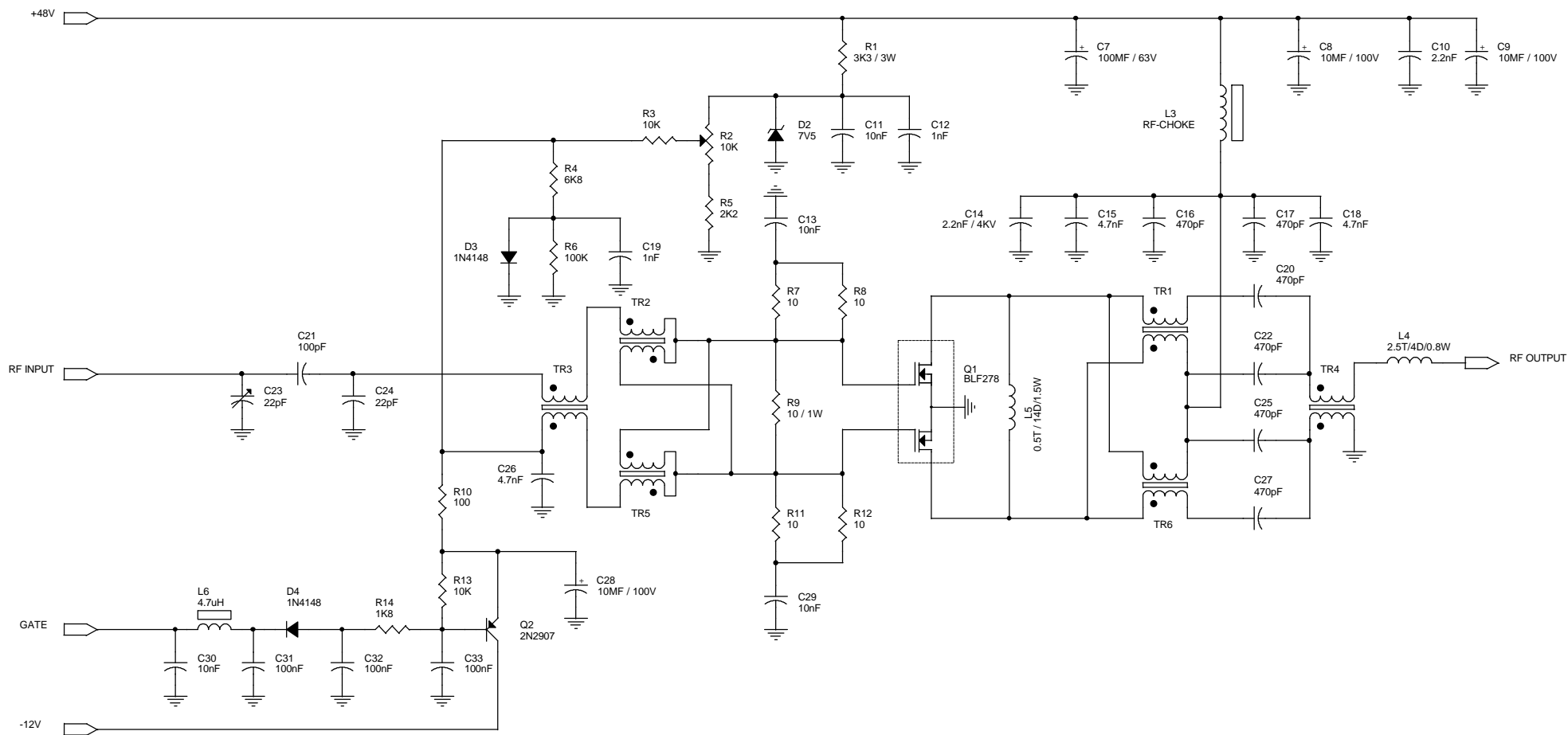


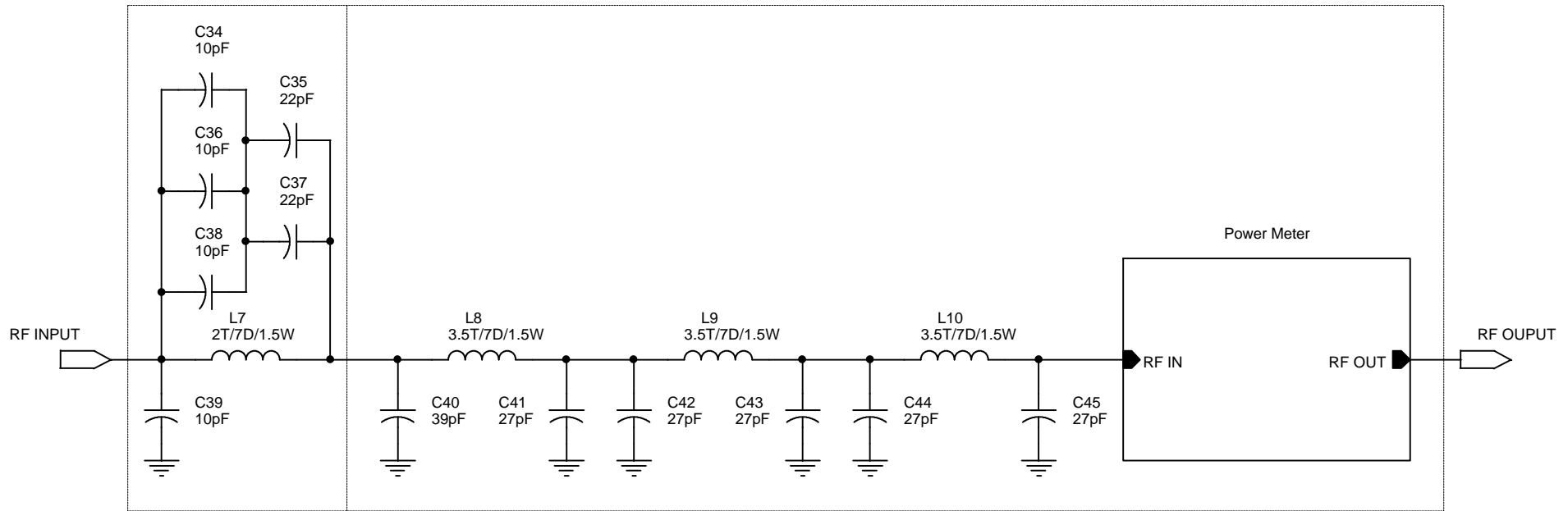
			
Title Push Button			
Size A	Document Number Mod . 2PULS1	Rev 1.0	
Date:	Monday, March 08, 2004	Sheet 1	of 1




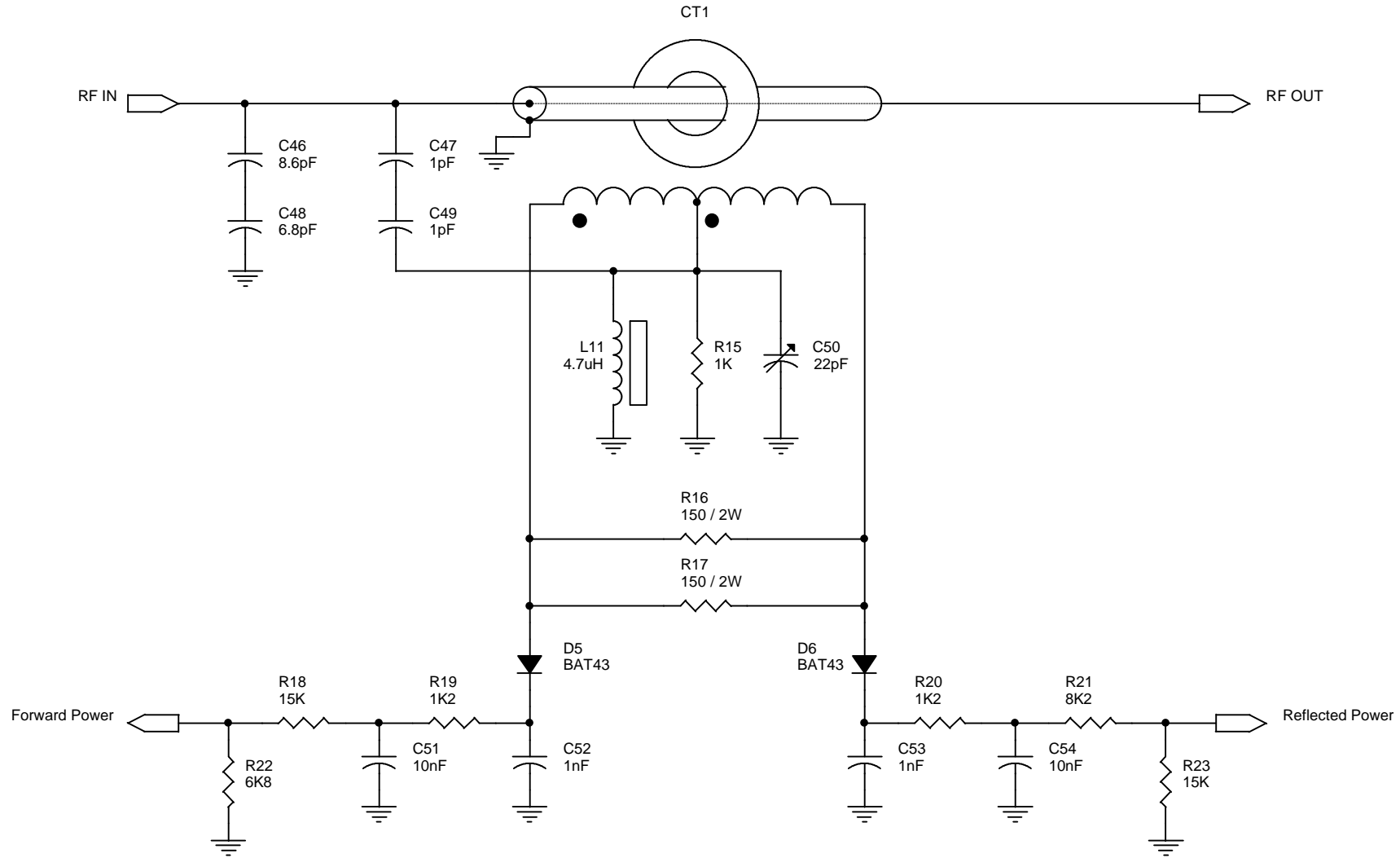


Title		
RF AMPLIFIER 150W		
Size	Document Number	Rev
B	Mod. RFAMP150	1.0
Date:	Friday, March 12, 2004	Sheet 1 of 1

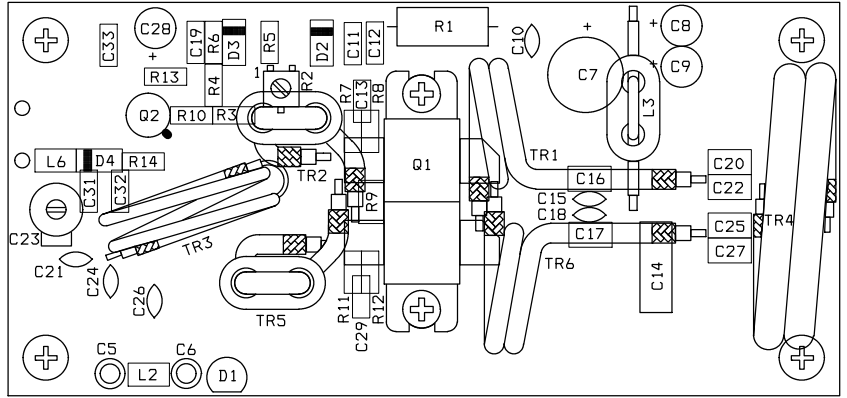


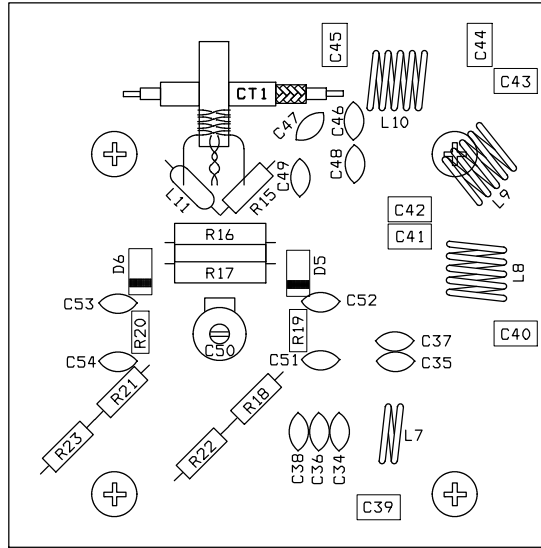


		
Title		
RF Filter + Power Meter		
Size	Document Number	Rev
A	Mod. Filter150W03	1.0
Date:	Friday, March 12, 2004	Sheet 1 of 1



Title		
Forward and Reflected Power Meter		
Size	Document Number	Rev
A	Mod. Power-Meter 03	1.0
Date:	Friday, March 12, 2004	Sheet 1 of 1





NICOM

Part List Schematic : RF AMP 150W

Rif.	Value	Remarks	Description	Code
C1	1nF		Ceramic Lead Through Capacitor	
C2	1nF		Ceramic Lead Through Capacitor	
C3	1nF		Ceramic Lead Through Capacitor	
C4	1nF		Ceramic Lead Through Capacitor	
C5	1nF		Ceramic Disc Capacitor	
C6	1nF		Ceramic Disc Capacitor	
C7	100MF	63V	Aluminium Electrolytic Capacitor	
C8	10MF	100V	Aluminium Electrolytic Capacitor	
C9	10MF	100V	Aluminium Electrolytic Capacitor	
C10	2.2nF		Ceramic Disc Capacitor NPO	
C11	10nF		SMD Multilayer Ceramic Capacitor	
C12	1nF		SMD Multilayer Ceramic Capacitor	
C13	10nF		SMD Multilayer Ceramic Capacitor	
C14	2.2nF	4KV	Ceramic Disc Capacitor	
C15	4.7nF		Ceramic Disc Capacitor NPO	
C16	470pF		Ceramic ATC Capacitor	
C17	470pF		Ceramic ATC Capacitor	
C18	4.7nF		Ceramic Disc Capacitor NPO	
C19	1nF		SMD Multilayer Ceramic Capacitor	
C20	470pF		Ceramic ATC Capacitor	
C21	100pF		Ceramic Disc Capacitor NPO	
C22	470pF		Ceramic ATC Capacitor	
C23	22pF		Trimmer Polyethylene Film Capacitor	
C24	22pF		Ceramic Disc Capacitor NPO	
C25	470pF		Ceramic ATC Capacitor	
C26	4.7nF		Ceramic Disc Capacitor NPO	
C27	470pF		Ceramic ATC Capacitor	
C28	10MF	100V	Aluminium Electrolytic Capacitor	
C29	10nF		SMD Multilayer Ceramic Capacitor	
C30	10nF		SMD Multilayer Ceramic Capacitor	
C31	100nF		SMD Multilayer Ceramic Capacitor	
C32	100nF		SMD Multilayer Ceramic Capacitor	
C33	100nF		SMD Multilayer Ceramic Capacitor	
C34	10pF		Ceramic Disc Capacitor NPO	
C35	22pF		Ceramic Disc Capacitor NPO	
C36	10pF		Ceramic Disc Capacitor NPO	
C37	22pF		Ceramic Disc Capacitor NPO	
C38	10pF		Ceramic Disc Capacitor NPO	
C39	10pF		Ceramic ATC Capacitor	
C40	39pF		Ceramic ATC Capacitor	
C41	27pF		Ceramic ATC Capacitor	
C42	27pF		Ceramic ATC Capacitor	
C43	27pF		Ceramic ATC Capacitor	
C44	27pF		Ceramic ATC Capacitor	
C45	27pF		Ceramic ATC Capacitor	
C46	8.6pF		Ceramic Disc Capacitor NPO	
C47	1pF		Ceramic Disc Capacitor NPO	
C48	6.8pF		Ceramic Disc Capacitor NPO	
C49	1pF		Ceramic Disc Capacitor NPO	

NICOM

Rif.	Value	Remarks	Description	Code
C50	22pF		Trimmer Polyethylene Film Capacitor	
C51	10nF		Ceramic Disc Capacitor NPO	
C52	1nF		Ceramic Disc Capacitor NPO	
C53	1nF		Ceramic Disc Capacitor NPO	
C54	10nF		Ceramic Disc Capacitor NPO	
L1	0.5T/10D/1.5W		Tinned Copper Wire	
L2	4.7uH		Ferrite Drum Cored Inductor	
L3	RF-CHOKE		Suppression Choke	
L4	2.5T/4D/0.8W		Tinned Copper Wire	
L5	0.5T / 14D/1.5W		Tinned Copper Wire	
L6	4.7uH		Ferrite Drum Cored Inductor	
L7	2T/7D/1.5W		Tinned Copper Wire	
L8	3.5T/7D/1.5W		Tinned Copper Wire	
L9	3.5T/7D/1.5W		Tinned Copper Wire	
L10	3.5T/7D/1.5W		Tinned Copper Wire	
L11	4.7uH		Ferrite Drum Cored Inductor	
R1	3K3	3W	Metal Film Power Resistor	
R2	10K	1/4W	SMD Thick Film Resistor	
R3	10K	1/4W	SMD Thick Film Resistor	
R4	6K8	1/4W	SMD Thick Film Resistor	
R5	2K2	1/4W	SMD Thick Film Resistor	
R6	100K	1/4W	SMD Thick Film Resistor	
R7	10	1/4W	SMD Thick Film Resistor	
R8	10	1/4W	SMD Thick Film Resistor	
R9	10	1W	Metal Film Power Resistor	
R10	100	1/4W	SMD Thick Film Resistor	
R11	10	1/4W	SMD Thick Film Resistor	
R12	10	1/4W	SMD Thick Film Resistor	
R13	10K	1/4W	SMD Thick Film Resistor	
R14	1K8	1/4W	SMD Thick Film Resistor	
R15	1K	1/4W	Carbon Film Resistor	
R16	150	2W	Metal Film Power Resistor	
R17	150	2W	Metal Film Power Resistor	
R18	15K	1/4W	Carbon Film Resistor	
R19	1K2	1/4W	SMD Thick Film Resistor	
R20	1K2	1/4W	SMD Thick Film Resistor	
R21	8K2	1/4W	Carbon Film Resistor	
R22	6K8	1/4W	Carbon Film Resistor	
R23	15K	1/4W	Carbon Film Resistor	
D1	LM335		Special Function Integrated Circuit	
D2	7V5		SMD Diode Zener	
D3	1N4148		SMD Power Diode	
D4	1N4148		SMD Power Diode	
D5	BAT43		Diode Schottky	
D6	BAT43		Diode Schottky	
Q1	BLF278		RF MOSFET	
Q2	2N2907		Low Power Bipolar Transistor	

