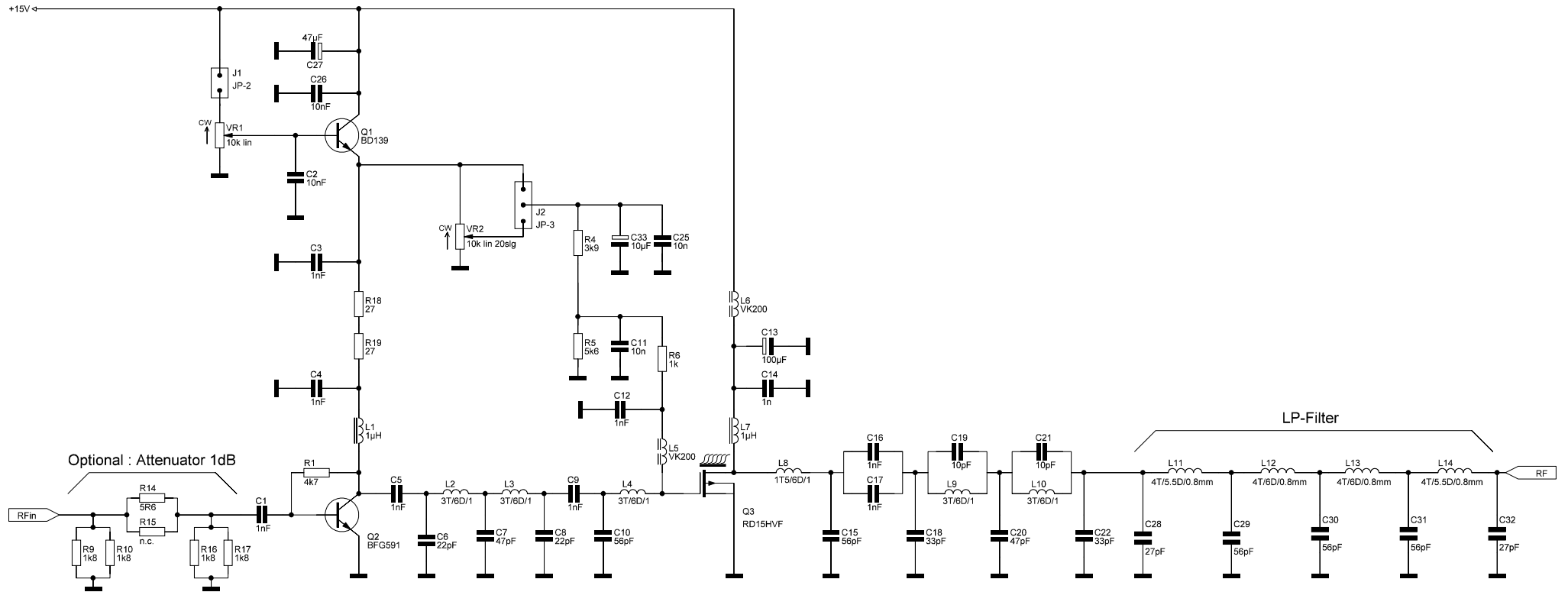



Changes		Drawing		acc.		CompanyLogo		Description		Page	
Name	Date	Name	Date	Name	Datum			Connection Example AMP NT 15Watt Transmitter		1	
		H. Slot	21-03-2012	H. Slot	21-03-2012					of	
		Norm:	n/a	Norm:	n/a			2			
Filename:		AMP NT 15W 2009v2.spl7									



Changes		Drawing		acc.		CompanyLogo		Description		Page	
Name	Date	Name	Date	Name	Datum			AMP NT 15Watt Transmitter		2	
		H. Slot	29-01-2012	H. Slot	29-01-2012					of	
										2	
		Norm:	n/a	Norm:	n/a					End-Stage	
Filename:		AMP NT 15W 2009v2.sp17									