
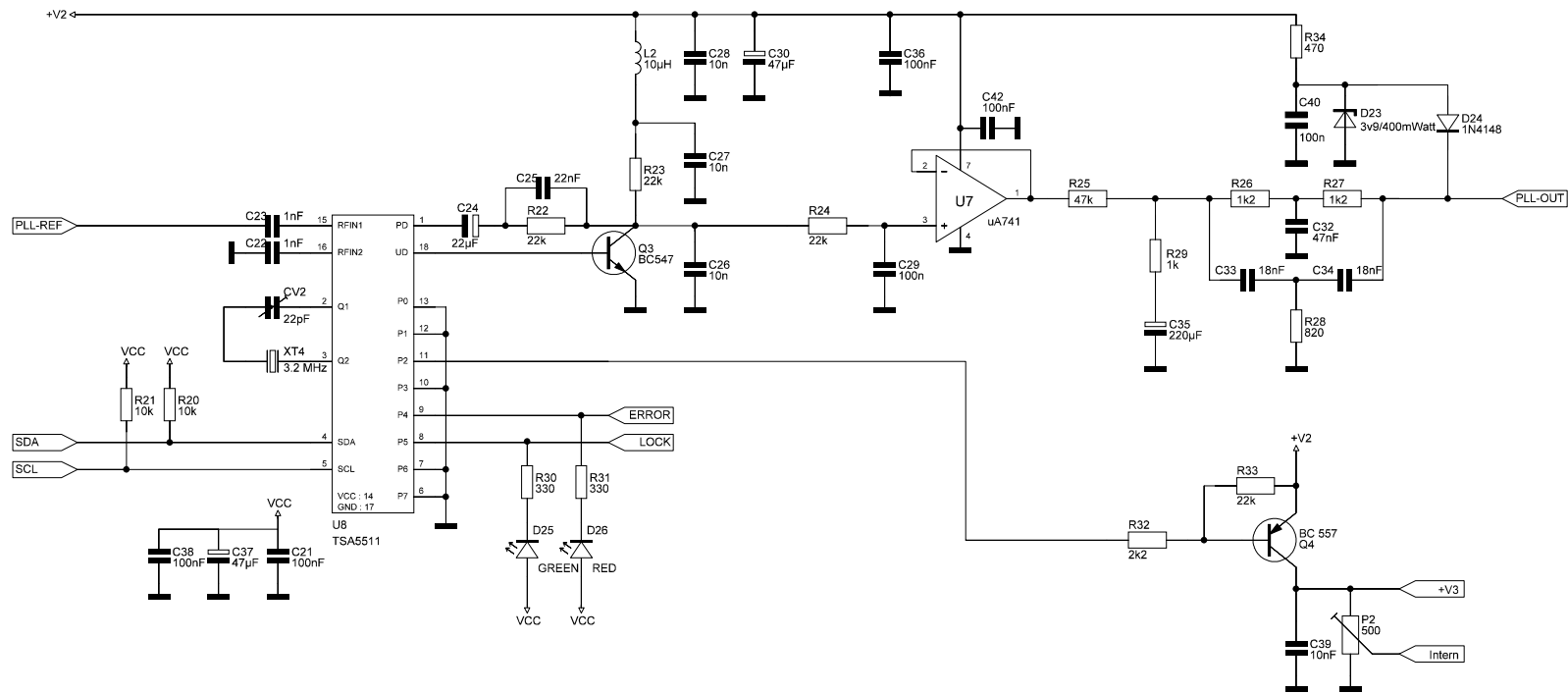



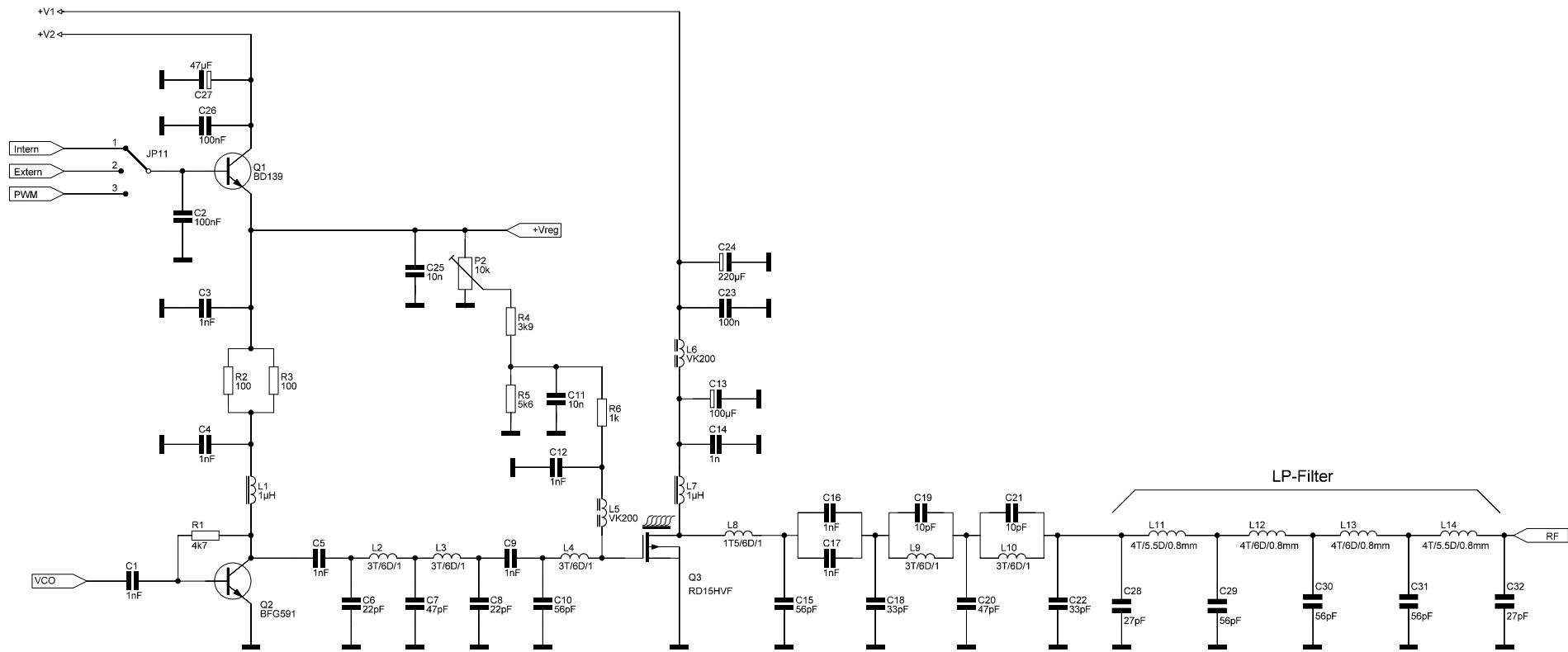
Changes		Drawing		acc.		CompanyLogo	
Name	Date	Name	Date	Name	Datum		
H. Slot	28-01-2012	H. Slot	24-01-2012	H. Slot	24-01-2012		
H. Slot	05-02-2012						
Filename: PKBee NT15W 2011v1.spl7		Norm:	n/a	Norm:	n/a		


Description		Page
PKBee NT 15Watt Transmitter Part : Controller unit		1
Drawings No.:		of
PCB : PKBee NT 15Watt 2011v1		4



Changes		Drawing		acc.		CompanyLogo		Description		Page	
Name	Date	Name	Date	Name	Datum			PKBee NT 15Watt Transmitter Part : PLL-Unit		2	
H. Slot	05-02-2012	H. Slot	24-01-2012	H. Slot	24-01-2012					of	
								Drawings No.:		4	
		Norm:	n/a	Norm:	n/a			PCB : PKBee NT 15Watt 2011v1			
Filename:		PKBee NT15W 2011v1.spl7									





Changes		Drawing		acc.		CompanyLogo	
Name	Date	Name	Date	Name	Datum		
H. Slot	29-01-2012	H. Slot	24-01-2012	H. Slot	24-01-2012		
Filename:	PKBee NT15W 2011v1.spl7						

Description	Page
PKBee NT 15Watt Transmitter Part : Endstage	4
Drawings No.:	of
PCB : PKBee NT 15Watt 2011v1	4