
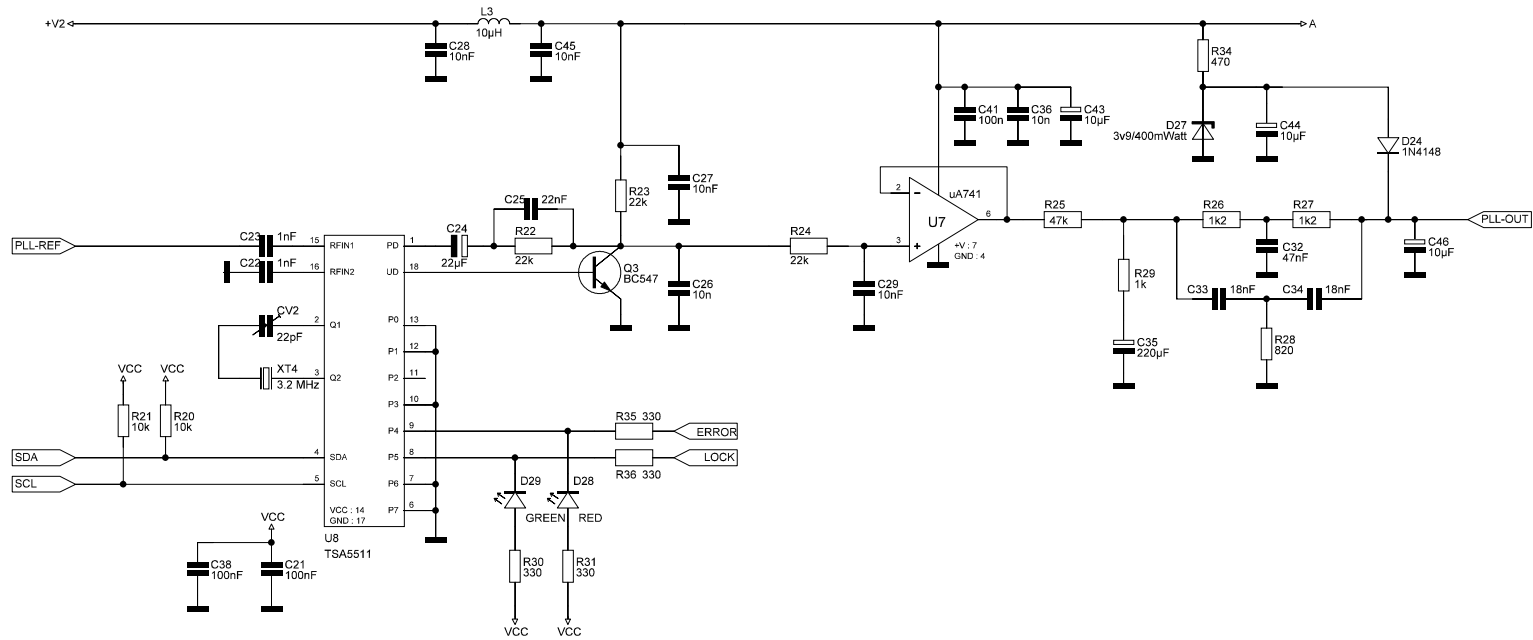

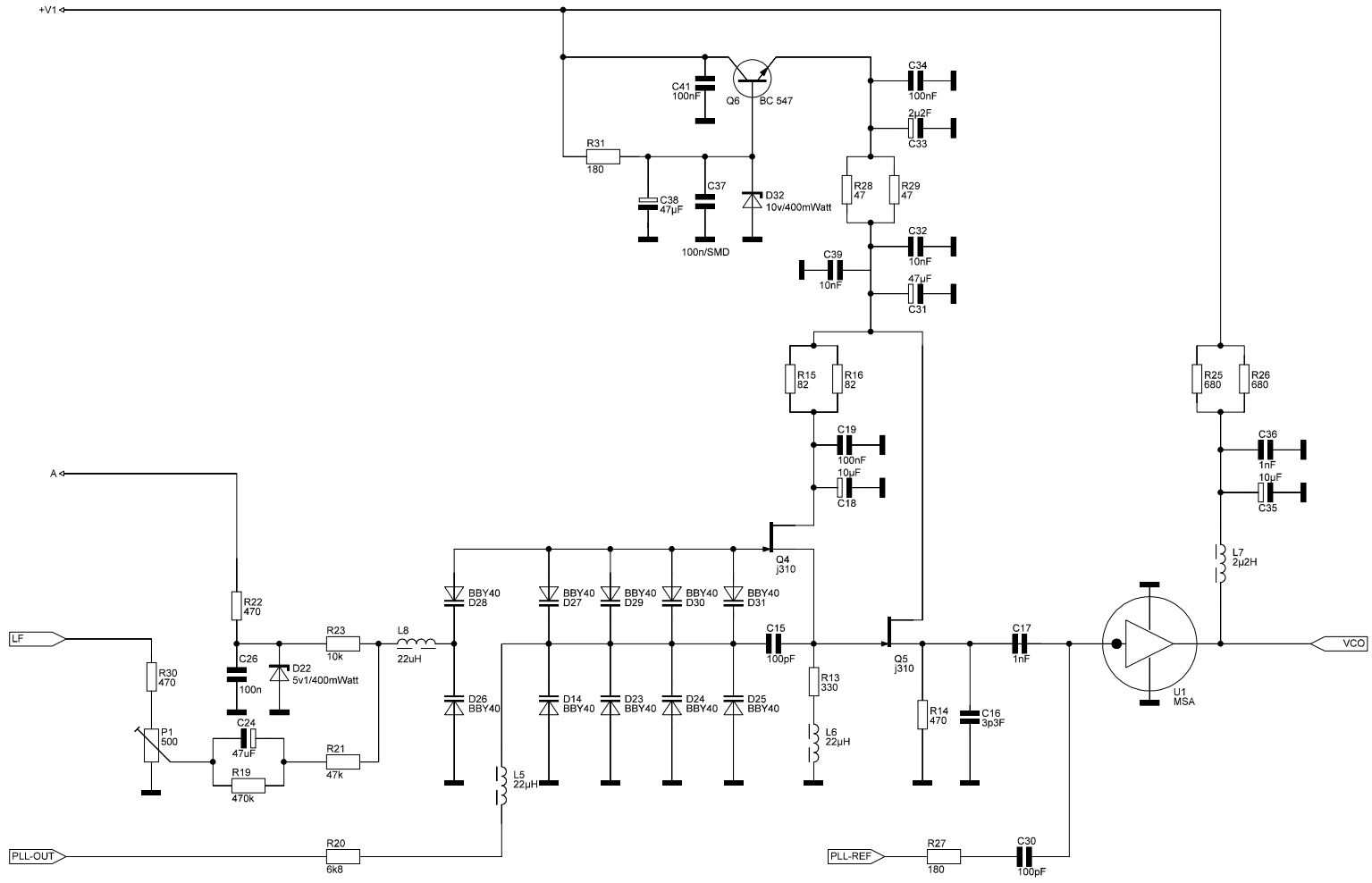



| Changes | | Drawing | | acc. | | Logo | Description | Page |
|----------------------------------|------|-----------|------|-----------|------------|---|--------------------------|------|
| Name | Date | Name | Date | Name | Datum |  | Part : Controller unit | 1 |
| | | | | H.Slot | 30-09-2013 | | | |
| | | | | | | | | |
| Filename: PKBee NT6W 2013v1.spl7 | | Norm: n/a | | Norm: n/a | | | Drawings No.: Controller | of 4 |

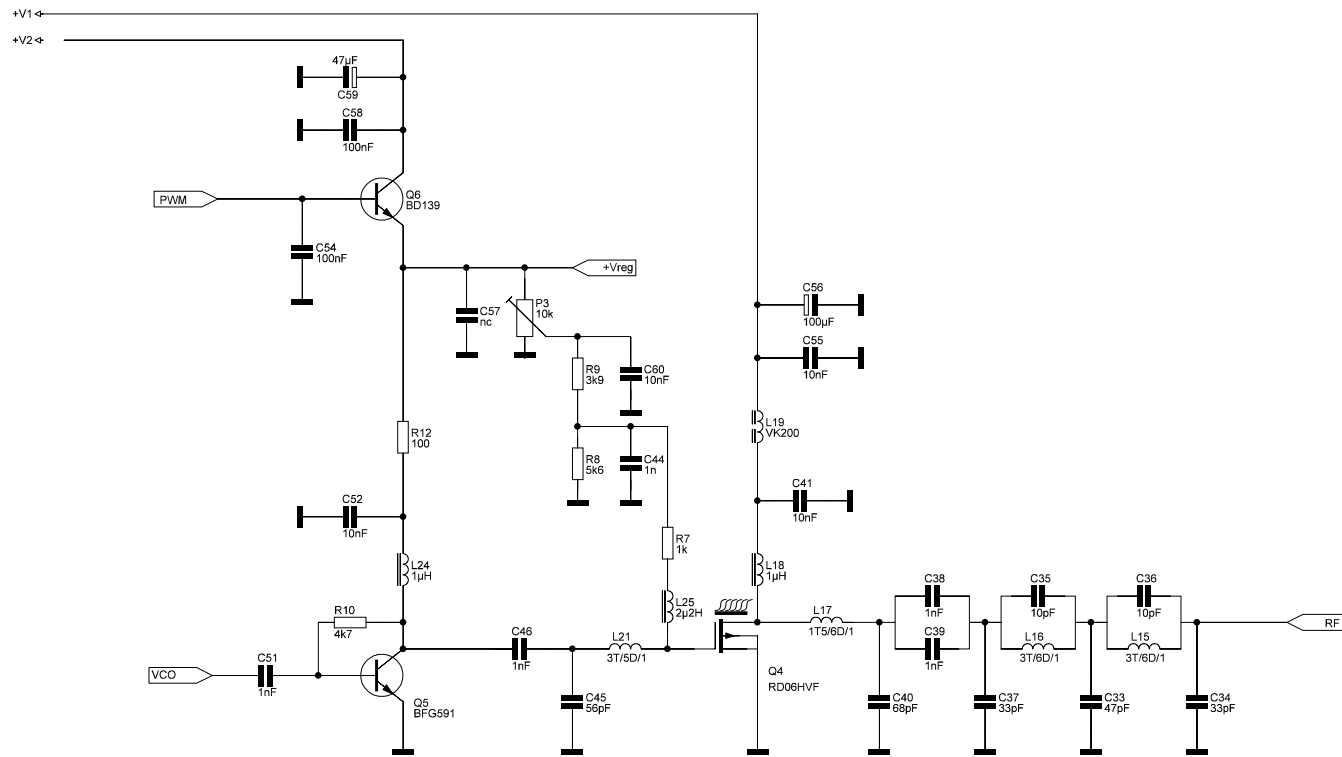


| Changes | | Drawing | | acc. | | Logo | Description | Page | |
|----------------------------------|------|---------|------|--------|------------|---|------------------------|------|--|
| Name | Date | Name | Date | Name | Datum |  | Part : PLL-Unit | 2 | |
| | | | | H.Slot | 30-09-2013 | | | | |
| | | | | | | | | | |
| Filename: PKBee NT6W 2013v1.spl7 | | Norm: | n/a | Norm: | n/a | | Drawings No.: PLL Unit | 4 | |



| Changes | | Drawing | | acc. | | Logo |
|-----------|------|------------------------|------|--------|------------|---|
| Name | Date | Name | Date | Name | Datum |  |
| | | | | H.Slot | 30-09-2013 | |
| | | | | | | |
| Filename: | | PKBee NT6W 2013v1.spl7 | | Norm: | n/a | |

| | | |
|---------------|------------|------|
| Description | Part : VCO | Page |
| | | 3 |
| Drawings No.: | VCO | of |
| | | 4 |



Changes

Drawing

acc.

Logo

Description

Page

Name

Date

Name

Date

Name

Datum

H.Slot

30-09-2013

6 Watt Output at 15Volt DC

4

Drawings No.:

End-Stage

of

4

Filename: PKBee NT6W 2013v1.spl7

PKBee