

Changes

Drawing

acc.

Logo

Description

Page

Name	Date

Name	Date

Name	Datum
H.Slot	30-09-2013

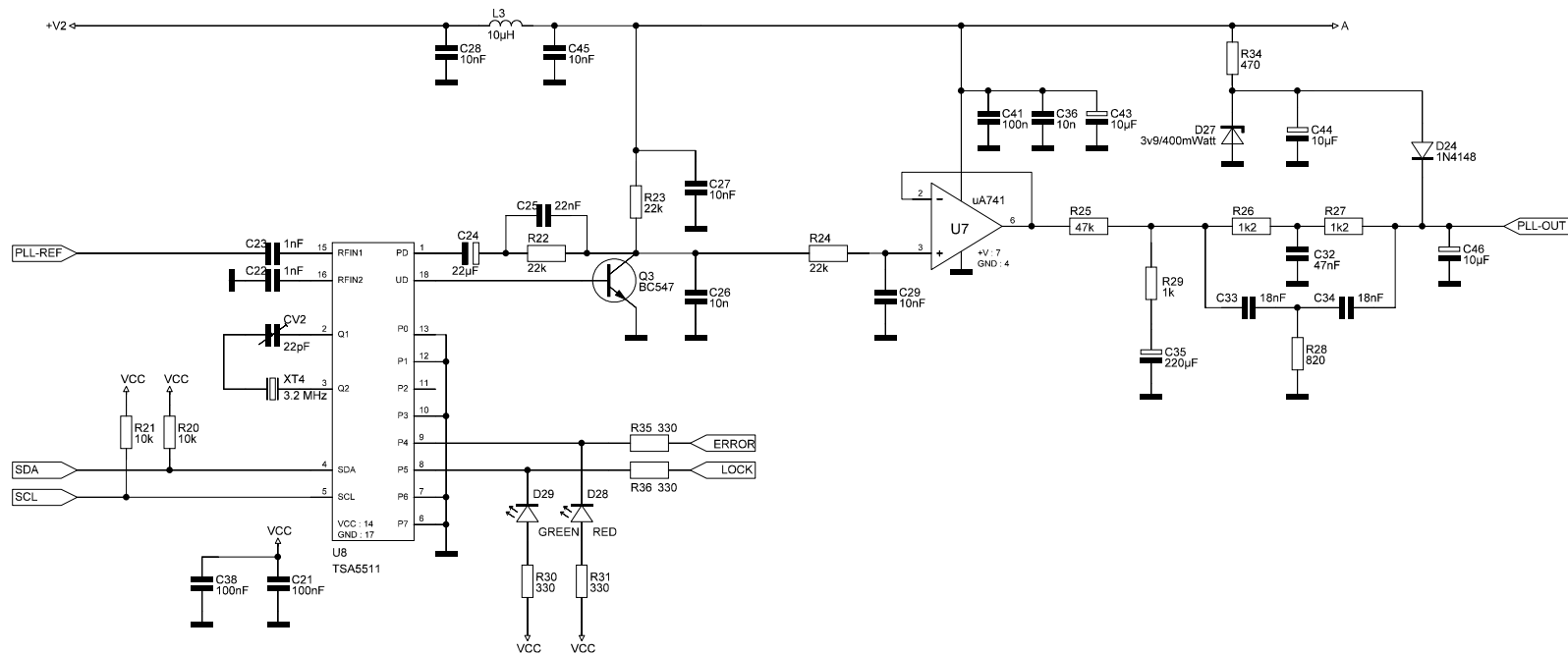


Part : Controller unit

Drawings No.:
Controller

1
of
4

Filename: PKBee NT6W 2013v1.sp7



Changes

Drawing

acc.

Logo

Description

Page

Name

Date

Name

Date

Name

Datum



Part : PLL-Unit

2

Norm: n/a

Norm: n/a

Drawings No.: PLL Unit

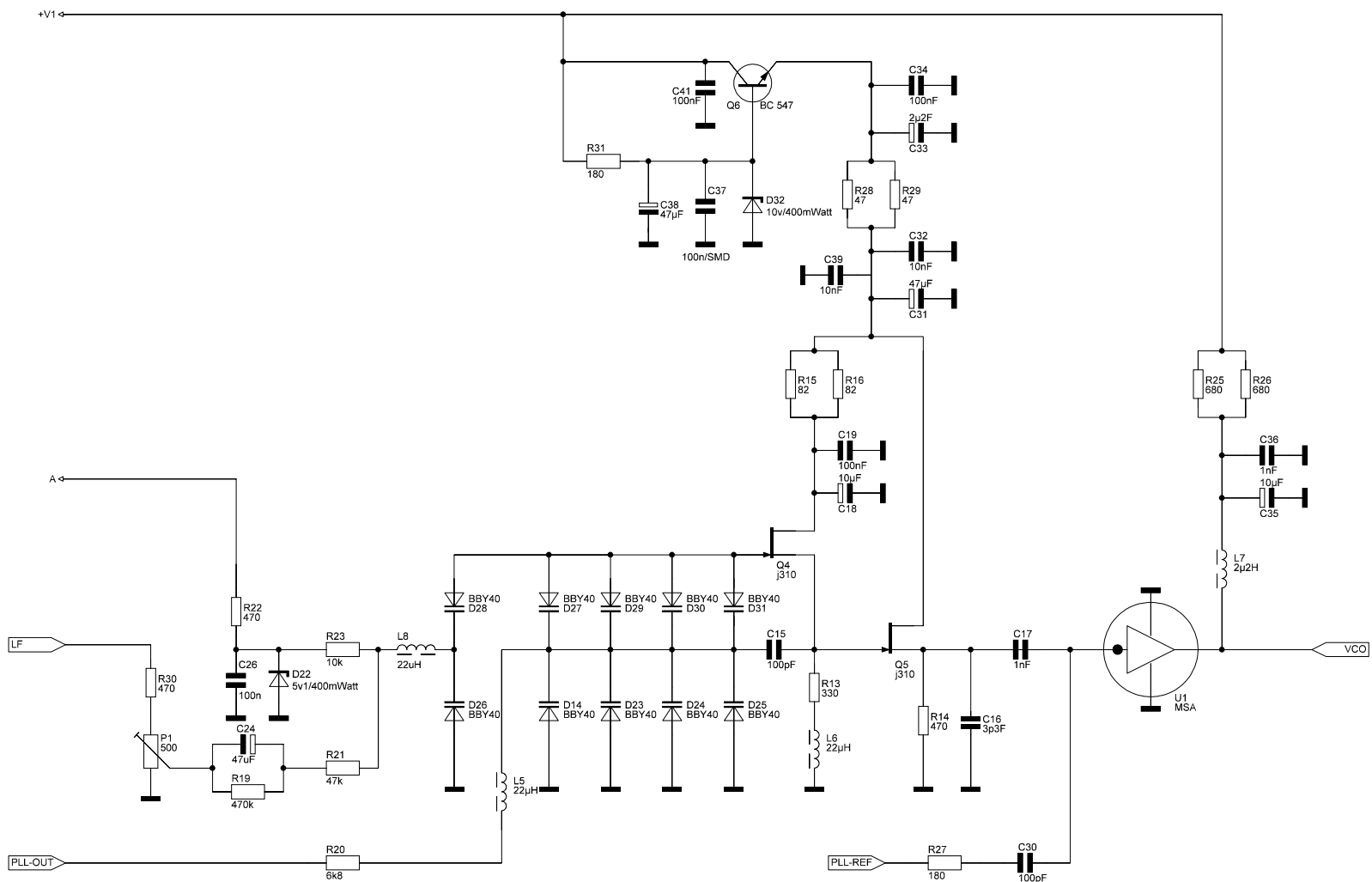
of

Filename:

PKBee NT6W 2013v1.sp17

4

N



Changes

Drawing

acc.

Logo

Description

Page

Name	Date	Name	Date	Name	Datum
				H.Slot	30-09-2013
		Norm:	n/a	Norm:	n/a



Part : VCO

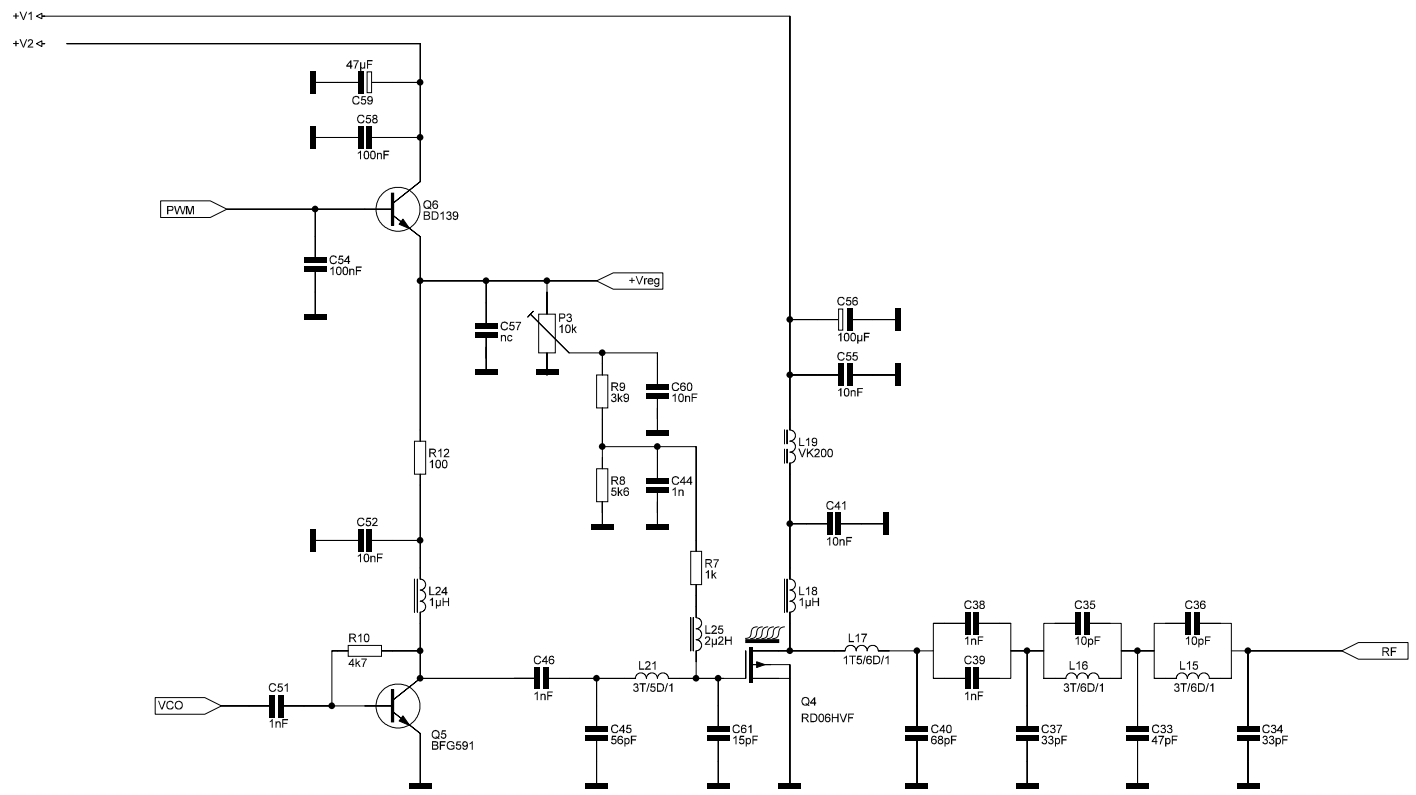
Drawings No.: VCO

3

of

4

Filename: PKBee NT6W 2013v1.sp17



Changes

Drawing

acc.

Logo

Description

Page

Name	Date	Name	Date	Name	Datum	
H.Slot	22-11-2013			H.Slot	30-09-2013	
Filename:	PKBee NT6W 2013v1.spl7		Norm:	n/a	Norm:	n/a



6 Watt Output at 15Volt DC

Drawings No.:
End-Stage

4

of

4