

Changes

Drawing

acc.

Logo

Description

Page

Name	Date	Name	Date	Name	Datum
				H.Slot	30-09-2013
		Norm:	n/a	Norm:	n/a



Part : Controller unit

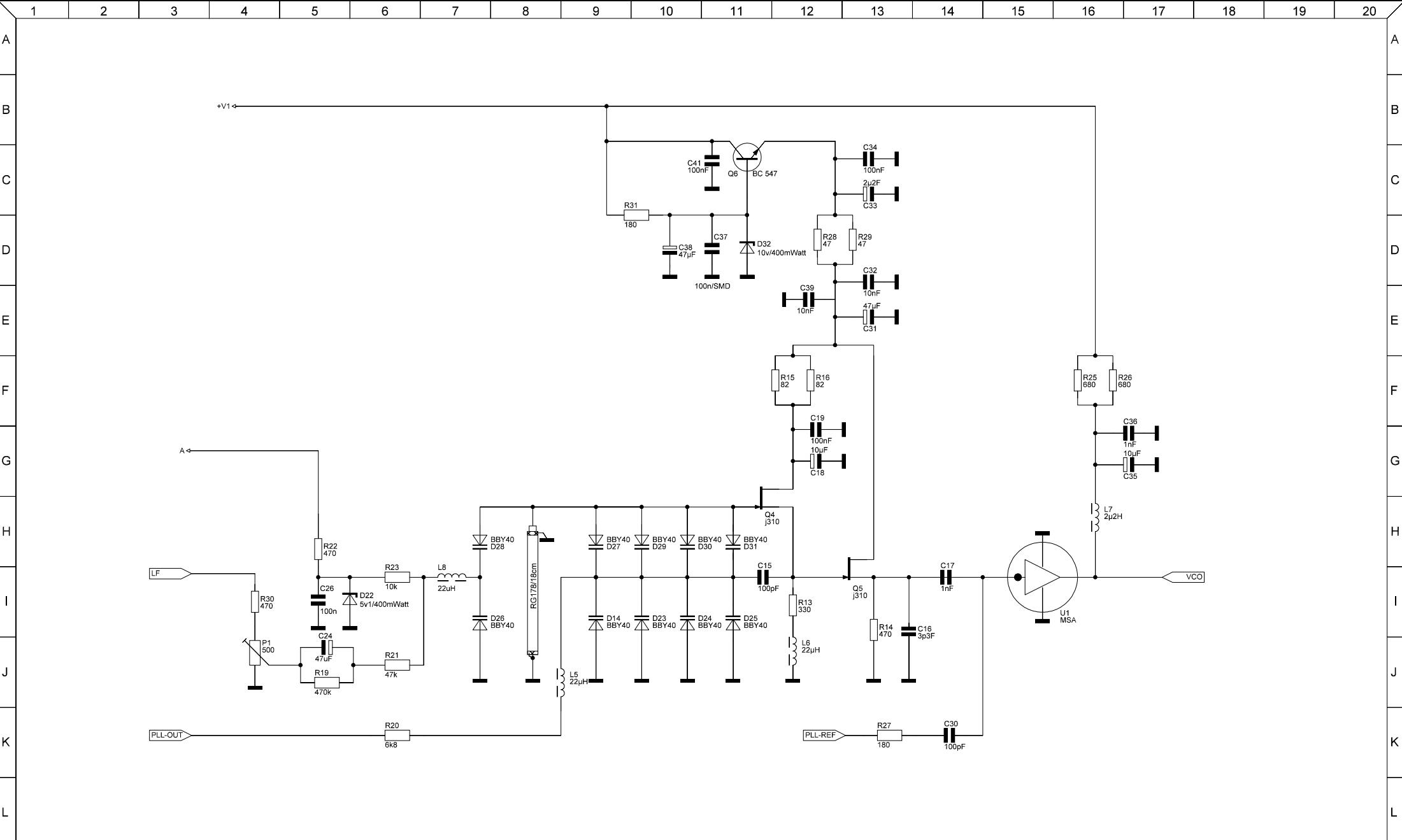
Drawings No.:
Controller


1

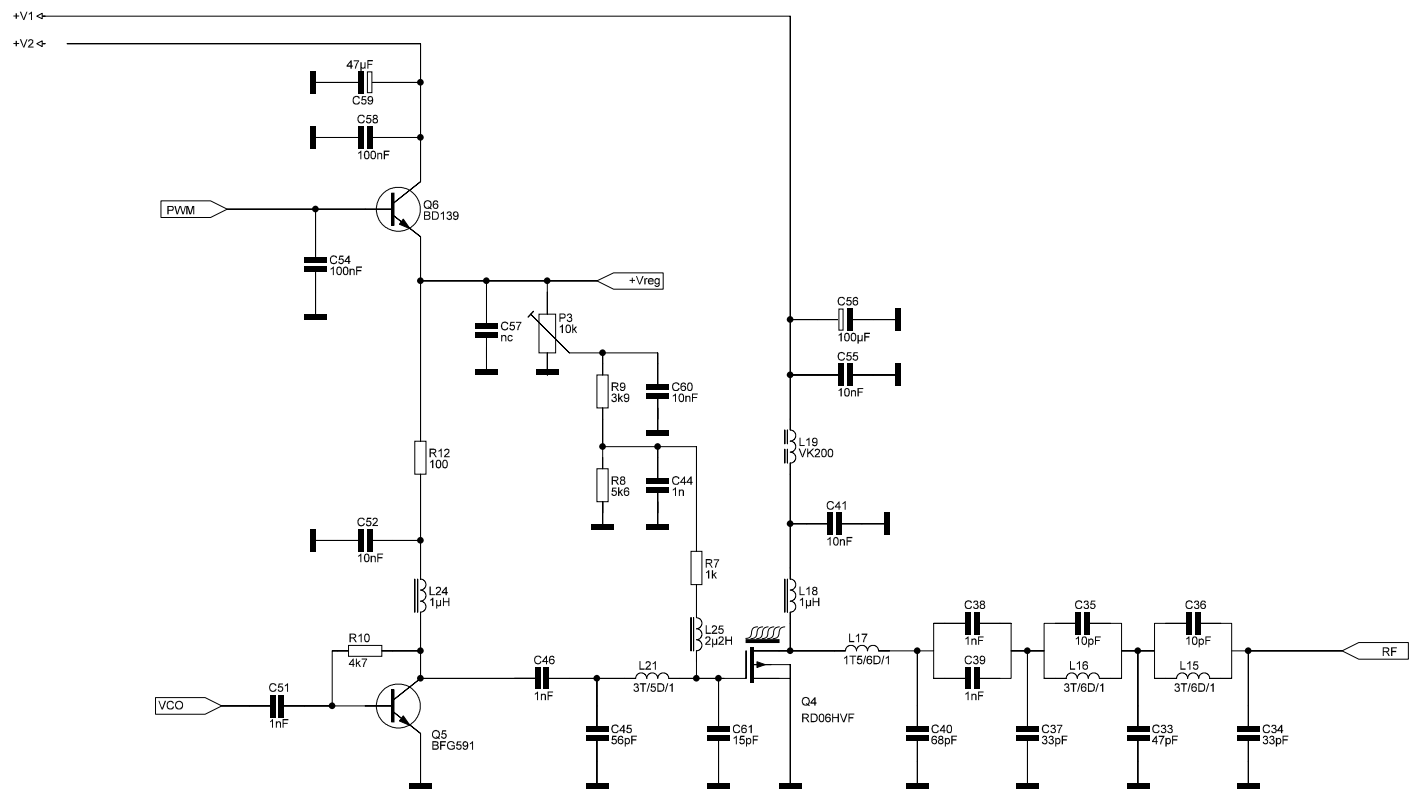
of


4

Filename: PKBee NT6W 2013v1.sp17



Changes		Drawing		acc.		Logo	Description	Page
Name	Date	Name	Date	Name	Datum		Part : VCO	3
H.Slot	25-11-2013			H.Slot	30-09-2013			of
		Norm:	n/a	Norm:	n/a		Drawings No.: VCO	4
Filename:	PKBee NT6W 2013v1.sp17							



Changes		Drawing		acc.		Logo	Description 6 Watt Output at 15Volt DC	Page 4
Name	Date	Name	Date	Name	Datum			
H.Slot	22-11-2013			H.Slot	30-09-2013		Drawings No.: End-Stage	of 4
Filename: PKBee NT6W 2013v1.spl7		Norm:	n/a	Norm:	n/a			