

Changes

Drawing

acc.

Logo

Description

Page

Name	Date	Name	Date	Name	Datum
				H.Slot	23-03-2014
		Norm:	n/a	Norm:	n/a



Part : Controller unit

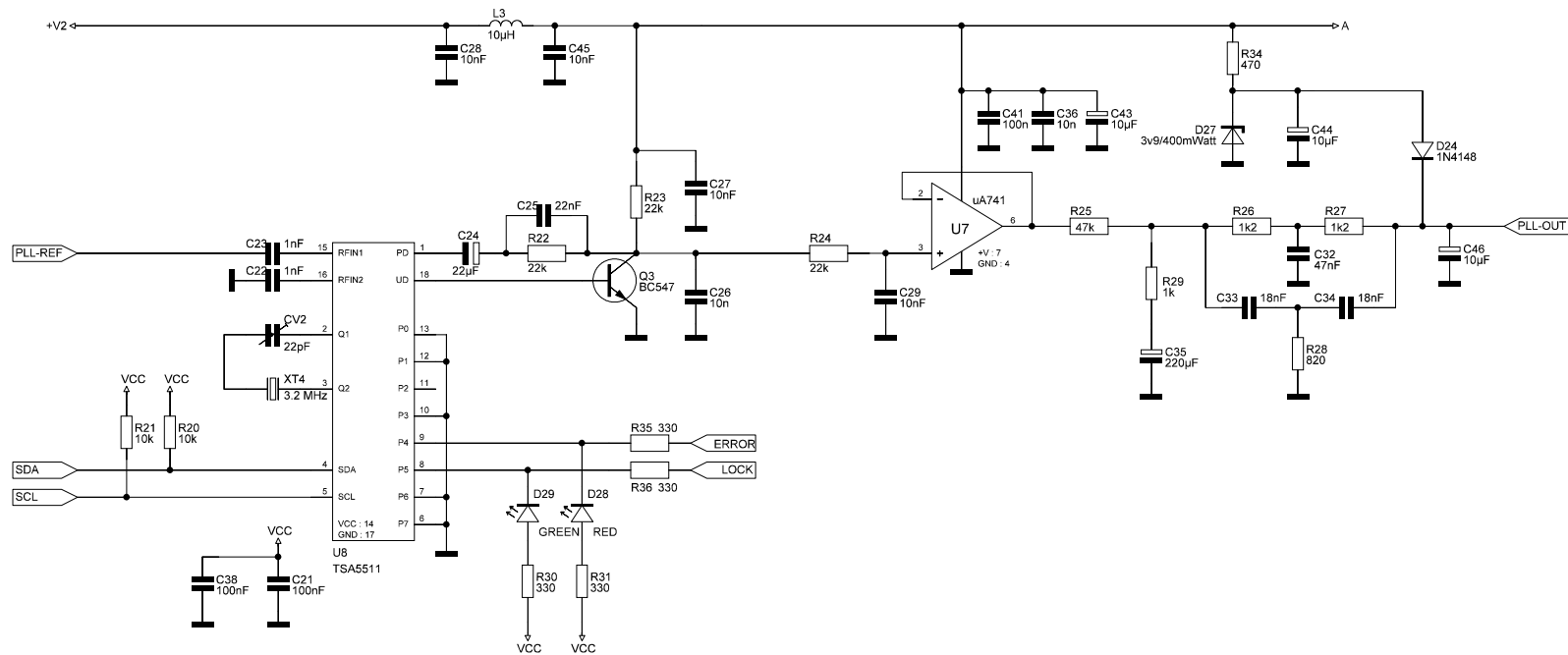
Drawings No.:
Controller

1

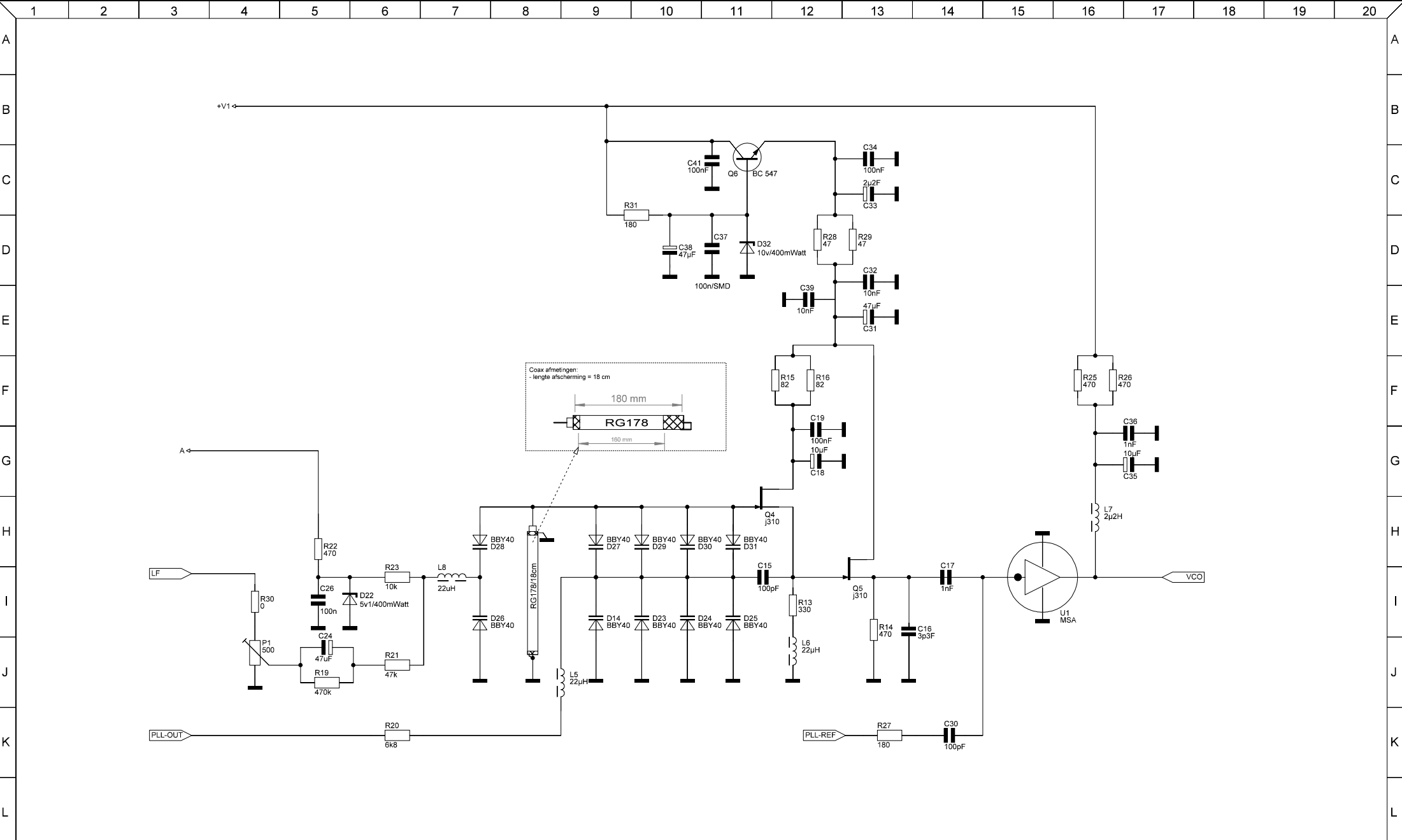
of

4

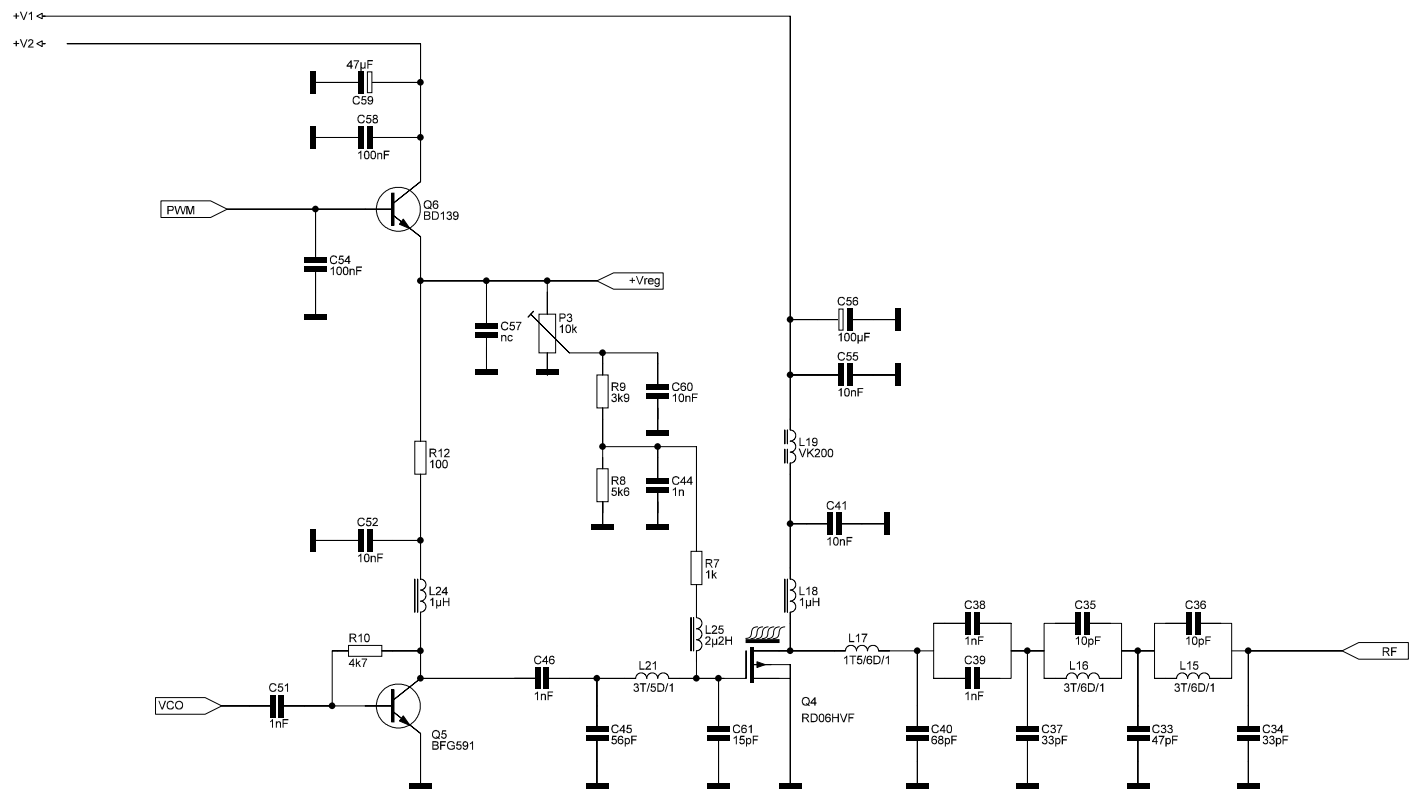
Filename: PKBee NT6W 2013v2.sp17




Changes		Drawing		acc.		Logo PKBee	Description		Page
Name	Date	Name	Date	Name	Datum		Part : PLL-Unit		2
							Drawings No.:		of
Filename:	PKBee NT6W 2013v2.spl7			Norm:	n/a		PLL Unit		4



Changes		Drawing		acc.		Logo	Description Part : VCO	Page	
Name	Date	Name	Date	Name	Datum			3	
				H.Slot	23-03-2014		Drawings No.: VCO	of	
								4	
Filename:	PKBee NT6W 2013v2.sp17								



Changes		Drawing		acc.		Logo
Name	Date	Name	Date	Name	Datum	
				H.Slot	23-03-2014	
Filename:	PKBee NT6W 2013v2.spl7		Norm:	n/a	Norm:	n/a

Description	Page
6 Watt Output at 15Volt DC	4
Drawings No.:	of
End-Stage	4