

---

## TECHNISCHE SPECIFICATIES

14x SAMPLE STEREO CODER

Jan '98

### STEREO - CODER

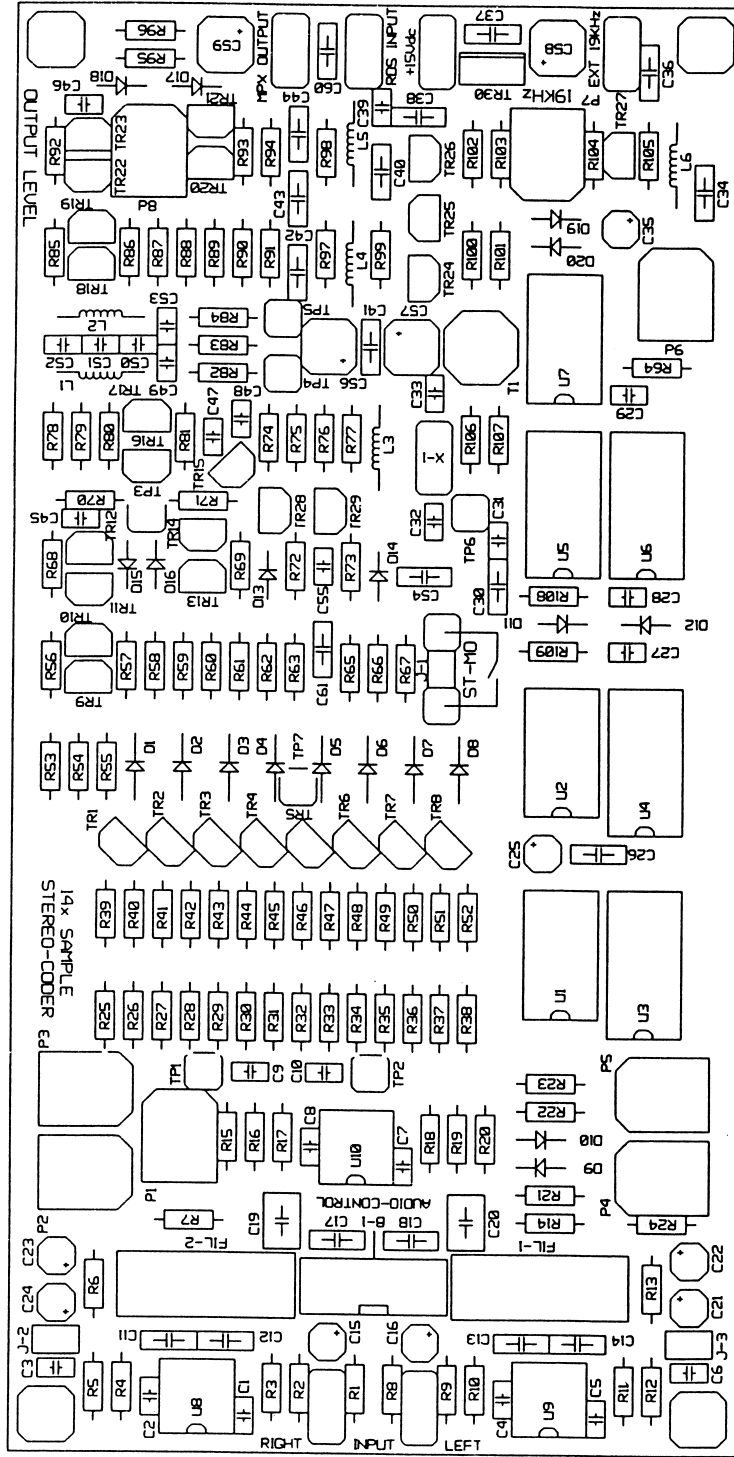
- Ingang Links, Rechts : A-symmetrisch
- Niveau : 0 dB, 2.2V<sub>tt</sub>
- Impedantie : 5 KO $\Omega$ m
- Frequentie bereik : 40Hz .. 15KHz
- Lineariteit, 40Hz - 10KHz : +/- 0.25 dB
- Low Pass Filters 19KHz : > -60 dB
- Low Pass Filters -3 dB : 15KHz
- Preemphasis : 50  $\mu$ S / uit
- Vervormings faktor : < 0.15%
  
- Kanaal scheiding : > 50 dB ( 40HZ..15KHz)
- Signaal / ruis : > 72 dB ( Weighted )
- Pilot frequentie : 19 KHz +/- 1Hz
- Pilot niveau : -34 .. -12 dB / uit
  
- MPX uitgang : A-symmetrisch
- Niveau : -5.. +2 dB
- Impedantie : > 300 O $\Omega$ m
  
- RDS ingang : A-symmetrisch
- Niveau : 0 dB
- Impedantie : 2 KO $\Omega$ m
- Frequentie bereik : 53 .. 100KHz
  
- EXT. Pilot uitgang : 19 KHz +/- 1Hz
- Niveau : +/- 1V<sub>tt</sub>, Blok golf
- Impedantie : > 300 O $\Omega$ m
  
- Voedingsspanning : + 15 Vdc, 200mA
- Bedrijfs temperatuur : + 10 .. + 40 graden celsius
- Afmetingen coder : 100x200 mm

### STEREO - LIMITER

- Ingang Links, Rechts : Elektronisch gebalanceerd
- Niveau : -1 .. +14 dB
- Impedantie : 5 KO $\Omega$ m
- Limiter bereik : + 20 dB
- Limit indicatie : Links en Rechts
  
- Voedingsspanning, : + 15 Vdc, 100mA
- Bedrijfs temperatuur : + 10 .. + 40 graden celcius
- Afmetingen limiter : 100x75 mm

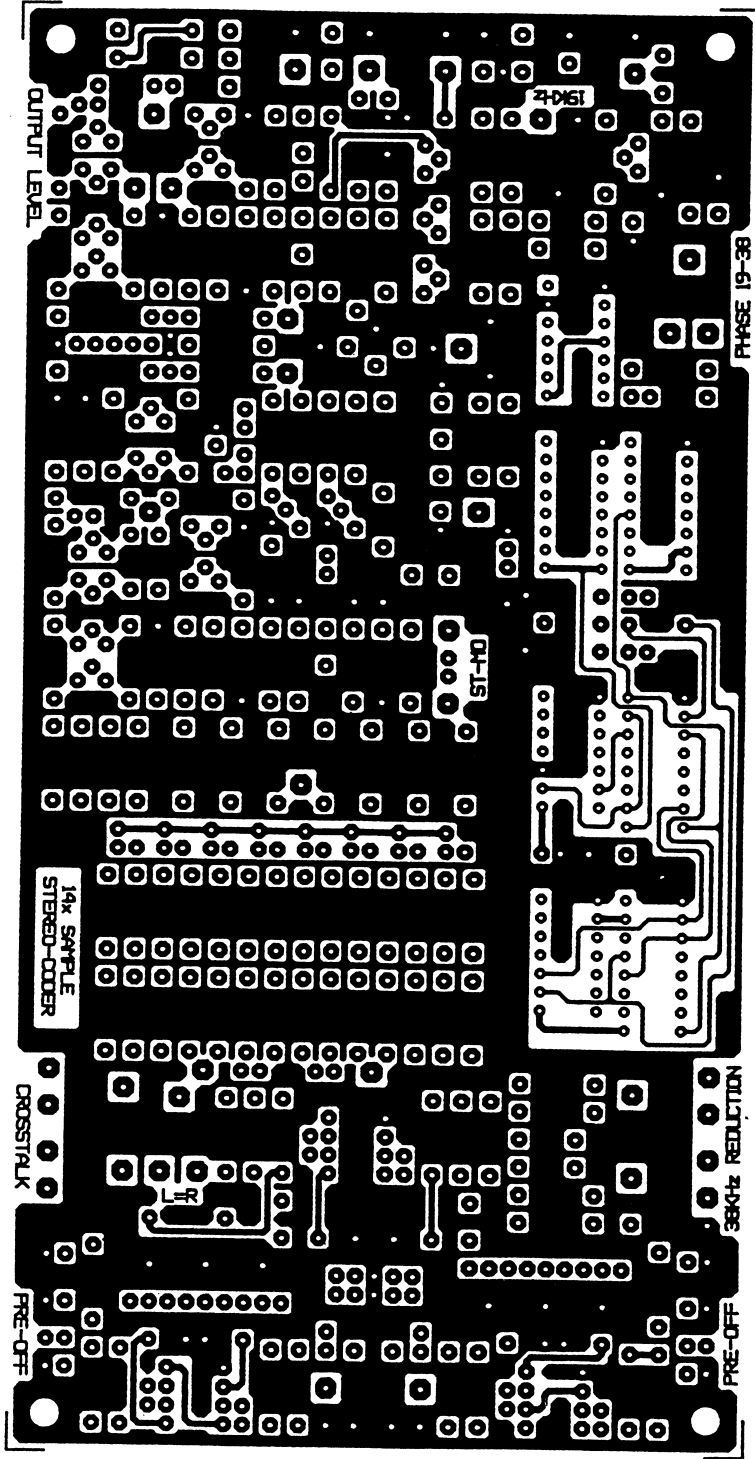
---

STEREO - CODER

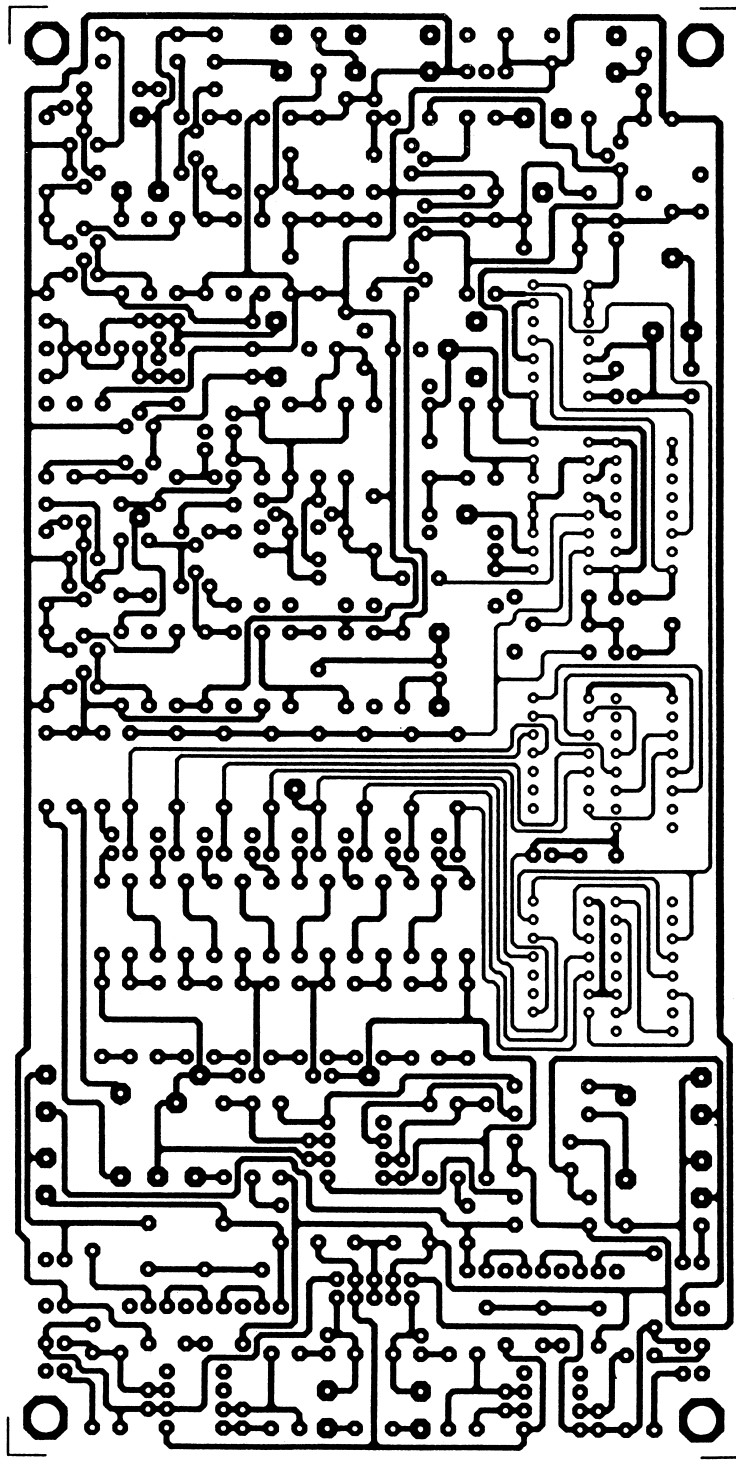


Title COMPONENT POSITION

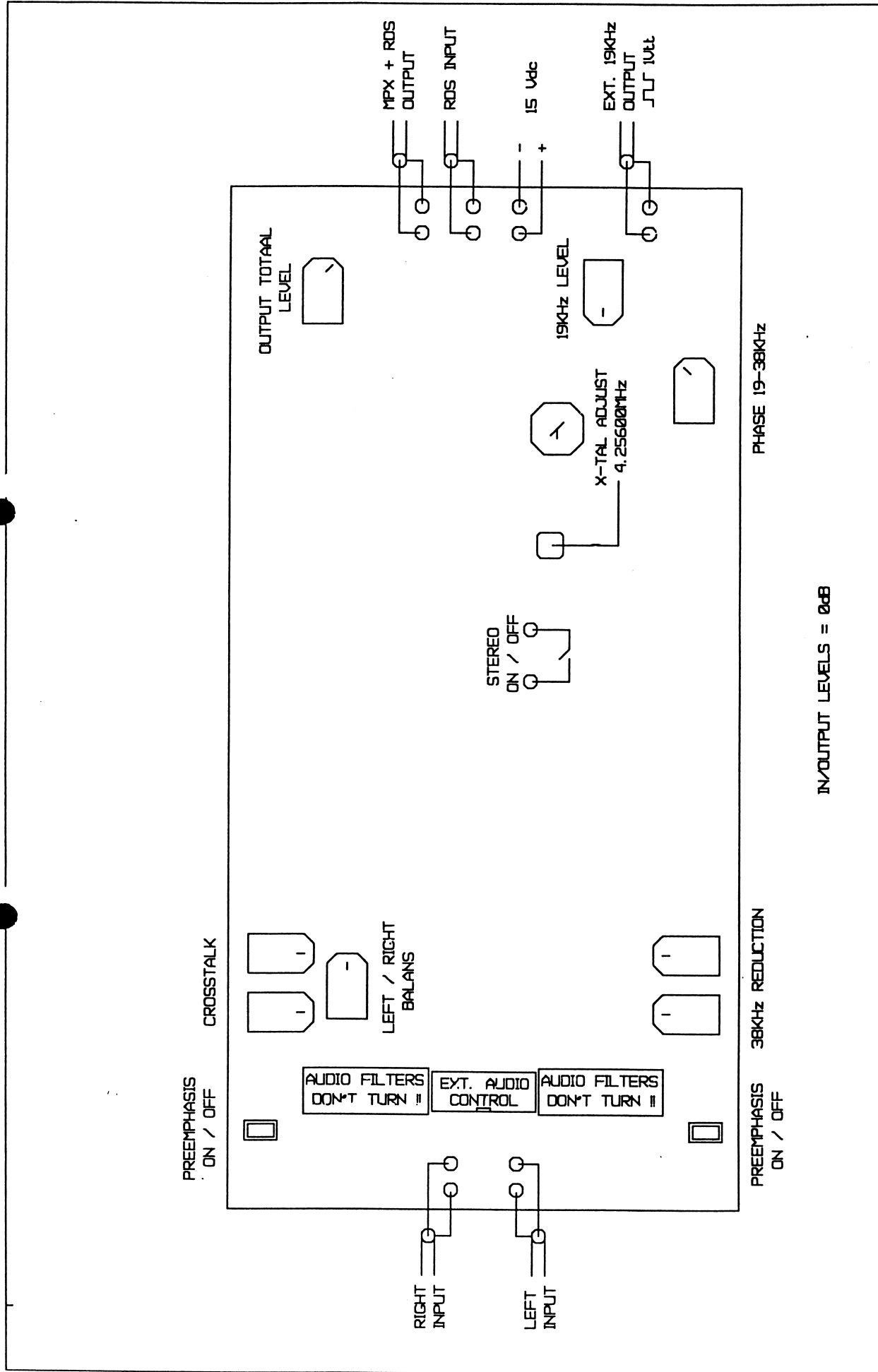
Size A	Document Number STEREO - CODER	Rev A
Date: Jan. 1998	Page 1	Sheet 1 of 1



Title PCB TOP LAYER			
Size A	Document Number STEREO - CODER	Page 2	Rev A
Date: Jan. 1998		Sheet 1 of 1	



Title	PCB BOTTOM LAYER	
Size	Document Number	STEREO - CODER
A		Rev
		A



Title			AANSLUIT GEVEVENS		
Size	Document Number	STEREO - CODER	Rev	A	
A			Date:	Jan. 1998	Page 4
				Sheet	1 of 1

# COMPONENTEN LIJST

14x SAMPLE STEREO CODER

Jan '98

Comp	Value	Designation	Pitch Manu	Package	Code
R1	4K7	Resistor / Metal Film / 0,4W / +- 5% / 250V	10.16 PHI	SFR-25	WA
R2	27K	Resistor / Metal Film / 0,4W / +- 5% / 250V	10.16 PHI	SFR-25	WA
R3	27K	Resistor / Metal Film / 0,4W / +- 5% / 250V	10.16 PHI	SFR-25	WA
R4	27K	Resistor / Metal Film / 0,4W / +- 5% / 250V	10.16 PHI	SFR-25	WA
R5	820R	Resistor / Metal Film / 0,4W / +- 5% / 250V	10.16 PHI	SFR-25	WA
R6	3K3	Resistor / Metal Film / 0,4W / +- 5% / 250V	10.16 PHI	SFR-25	WA
R7	5K1	Resistor / Metal Film / 0,4W / +- 5% / 250V	10.16 PHI	SFR-25	WA
R8	4K7	Resistor / Metal Film / 0,4W / +- 5% / 250V	10.16 PHI	SFR-25	WA
R9	27K	Resistor / Metal Film / 0,4W / +- 5% / 250V	10.16 PHI	SFR-25	WA
R10	27K	Resistor / Metal Film / 0,4W / +- 5% / 250V	10.16 PHI	SFR-25	WA
R11	27K	Resistor / Metal Film / 0,4W / +- 5% / 250V	10.16 PHI	SFR-25	WA
R12	820R	Resistor / Metal Film / 0,4W / +- 5% / 250V	10.16 PHI	SFR-25	WA
R13	3K3	Resistor / Metal Film / 0,4W / +- 5% / 250V	10.16 PHI	SFR-25	WA
R14	5K1	Resistor / Metal Film / 0,4W / +- 5% / 250V	10.16 PHI	SFR-25	WA
R15	62K	Resistor / Metal Film / 0,4W / +- 5% / 250V	10.16 PHI	SFR-25	WA
R16	33K	Resistor / Metal Film / 0,4W / +- 5% / 250V	10.16 PHI	SFR-25	WA
R17	10K	Resistor / Metal Film / 0,4W / +- 5% / 250V	10.16 PHI	SFR-25	WA
R18	10K	Resistor / Metal Film / 0,4W / +- 5% / 250V	10.16 PHI	SFR-25	WA
R19	33K	Resistor / Metal Film / 0,4W / +- 5% / 250V	10.16 PHI	SFR-25	WA
R20	62K	Resistor / Metal Film / 0,4W / +- 5% / 250V	10.16 PHI	SFR-25	WA
R21	4K7	Resistor / Metal Film / 0,4W / +- 5% / 250V	10.16 PHI	SFR-25	WA
R22	220K	Resistor / Metal Film / 0,4W / +- 5% / 250V	10.16 PHI	SFR-25	WA
R23	220K	Resistor / Metal Film / 0,4W / +- 5% / 250V	10.16 PHI	SFR-25	WA
R24	4K2	Resistor / Metal Film / 0,4W / +- 5% / 250V	10.16 PHI	SFR-25	WA
R25	900R	Resistor / Metal Film / 0,4W / +- 5% / 250V	10.16 PHI	SFR-25	WA
R26	82R	Resistor / Metal Film / 0,4W / +- 5% / 250V	10.16 PHI	SFR-25	WA
R27	2K7	Resistor / Metal Film / 0,4W / +- 5% / 250V	10.16 PHI	SFR-25	WA
R28	75R	Resistor / Metal Film / 0,4W / +- 5% / 250V	10.16 PHI	SFR-25	WA
R29	3K9	Resistor / Metal Film / 0,4W / +- 5% / 250V	10.16 PHI	SFR-25	WA
R30	110R	Resistor / Metal Film / 0,4W / +- 5% / 250V	10.16 PHI	SFR-25	WA
R31	4K3	Resistor / Metal Film / 0,4W / +- 5% / 250V	10.16 PHI	SFR-25	WA
R32	150R	Resistor / Metal Film / 0,4W / +- 5% / 250V	10.16 PHI	SFR-25	WA
R33	110R	Resistor / Metal Film / 0,4W / +- 5% / 250V	10.16 PHI	SFR-25	WA
R34	3K9	Resistor / Metal Film / 0,4W / +- 5% / 250V	10.16 PHI	SFR-25	WA
R35	75R	Resistor / Metal Film / 0,4W / +- 5% / 250V	10.16 PHI	SFR-25	WA
R36	2K7	Resistor / Metal Film / 0,4W / +- 5% / 250V	10.16 PHI	SFR-25	WA
R37	82R	Resistor / Metal Film / 0,4W / +- 5% / 250V	10.16 PHI	SFR-25	WA
R38	900R	Resistor / Metal Film / 0,4W / +- 5% / 250V	10.16 PHI	SFR-25	WA
R39	10K	Resistor / Metal Film / 0,4W / +- 5% / 250V	10.16 PHI	SFR-25	WA
R40	8K2	Resistor / Metal Film / 0,4W / +- 5% / 250V	10.16 PHI	SFR-25	WA
R41	820R	Resistor / Metal Film / 0,4W / +- 5% / 250V	10.16 PHI	SFR-25	WA
R42	6K8	Resistor / Metal Film / 0,4W / +- 5% / 250V	10.16 PHI	SFR-25	WA
R43	150R	Resistor / Metal Film / 0,4W / +- 5% / 250V	10.16 PHI	SFR-25	WA
R44	5K1	Resistor / Metal Film / 0,4W / +- 5% / 250V	10.16 PHI	SFR-25	WA
R45	150R	Resistor / Metal Film / 0,4W / +- 5% / 250V	10.16 PHI	SFR-25	WA
R46	150R	Resistor / Metal Film / 0,4W / +- 5% / 250V	10.16 PHI	SFR-25	WA
R47	5K1	Resistor / Metal Film / 0,4W / +- 5% / 250V	10.16 PHI	SFR-25	WA
R48	150R	Resistor / Metal Film / 0,4W / +- 5% / 250V	10.16 PHI	SFR-25	WA
R49	6K8	Resistor / Metal Film / 0,4W / +- 5% / 250V	10.16 PHI	SFR-25	WA
R50	820R	Resistor / Metal Film / 0,4W / +- 5% / 250V	10.16 PHI	SFR-25	WA
R51	8K2	Resistor / Metal Film / 0,4W / +- 5% / 250V	10.16 PHI	SFR-25	WA
R52	10K	Resistor / Metal Film / 0,4W / +- 5% / 250V	10.16 PHI	SFR-25	WA
R53	12K	Resistor / Metal Film / 0,4W / +- 5% / 250V	10.16 PHI	SFR-25	WA
R54	12K	Resistor / Metal Film / 0,4W / +- 5% / 250V	10.16 PHI	SFR-25	WA
R55	1K	Resistor / Metal Film / 0,4W / +- 5% / 250V	10.16 PHI	SFR-25	WA

STEREO – CODER

## COMPONENTEN LIJST

14x SAMPLE STEREO CODER

Jan '98

Comp.	Values	Designation	Pitch	Manu.	Package	Code
R 55	1K	Resistor / Metal Film / 0.4W / +- 5% / 250V	10.16	PHI	SFR-25	WA
R 56	1K	Resistor / Metal Film / 0.4W / +- 5% / 250V	10.16	PHI	SFR-25	WA
R 57	10K	Resistor / Metal Film / 0.4W / +- 5% / 250V	10.16	PHI	SFR-25	WA
R 58	3K3	Resistor / Metal Film / 0.4W / +- 5% / 250V	10.16	PHI	SFR-25	WA
R 59	100E	Resistor / Metal Film / 0.4W / +- 5% / 250V	10.16	PHI	SFR-25	WA
R 60	22K	Resistor / Metal Film / 0.4W / +- 5% / 250V	10.16	PHI	SFR-25	WA
R 61	3K3	Resistor / Metal Film / 0.4W / +- 5% / 250V	10.16	PHI	SFR-25	WA
R 62	4K7	Resistor / Metal Film / 0.4W / +- 5% / 250V	10.16	PHI	SFR-25	WA
R 63	4K7	Resistor / Metal Film / 0.4W / +- 5% / 250V	10.16	PHI	SFR-25	WA
R 64	5K6	Resistor / Metal Film / 0.4W / +- 5% / 250V	10.16	PHI	SFR-25	WA
R 65	470E	Resistor / Metal Film / 0.4W / +- 5% / 250V	10.16	PHI	SFR-25	WA
R 66	10K	Resistor / Metal Film / 0.4W / +- 5% / 250V	10.16	PHI	SFR-25	WA
R 67	100E	Resistor / Metal Film / 0.4W / +- 5% / 250V	10.16	PHI	SFR-25	WA
R 68	470E	Resistor / Metal Film / 0.4W / +- 5% / 250V	10.16	PHI	SFR-25	WA
R 69	150E	Resistor / Metal Film / 0.4W / +- 5% / 250V	10.16	PHI	SFR-25	WA
R 70	10E	Resistor / Metal Film / 0.4W / +- 5% / 250V	10.16	PHI	SFR-25	WA
R 71	10E	Resistor / Metal Film / 0.4W / +- 5% / 250V	10.16	PHI	SFR-25	WA
R 72	2K2	Resistor / Metal Film / 0.4W / +- 5% / 250V	10.16	PHI	SFR-25	WA
R 73	4K7	Resistor / Metal Film / 0.4W / +- 5% / 250V	10.16	PHI	SFR-25	WA
R 74	120K	Resistor / Metal Film / 0.4W / +- 5% / 250V	10.16	PHI	SFR-25	WA
R 75	1K2	Resistor / Metal Film / 0.4W / +- 5% / 250V	10.16	PHI	SFR-25	WA
R 76	2K2	Resistor / Metal Film / 0.4W / +- 5% / 250V	10.16	PHI	SFR-25	WA
R 77	47K	Resistor / Metal Film / 0.4W / +- 5% / 250V	10.16	PHI	SFR-25	WA
R 78	100E	Resistor / Metal Film / 0.4W / +- 5% / 250V	10.16	PHI	SFR-25	WA
R 79	3K3	Resistor / Metal Film / 0.4W / +- 5% / 250V	10.16	PHI	SFR-25	WA
R 80	10K	Resistor / Metal Film / 0.4W / +- 5% / 250V	10.16	PHI	SFR-25	WA
R 81	100E	Resistor / Metal Film / 0.4W / +- 5% / 250V	10.16	PHI	SFR-25	WA
R 82	510E	Resistor / Metal Film / 0.4W / +- 5% / 250V	10.16	PHI	SFR-25	WA
R 83	510E	Resistor / Metal Film / 0.4W / +- 5% / 250V	10.16	PHI	SFR-25	WA
R 84	10K	Resistor / Metal Film / 0.4W / +- 5% / 250V	10.16	PHI	SFR-25	WA
R 85	1K	Resistor / Metal Film / 0.4W / +- 5% / 250V	10.16	PHI	SFR-25	WA
R 86	22K	Resistor / Metal Film / 0.4W / +- 5% / 250V	10.16	PHI	SFR-25	WA
R 87	10K	Resistor / Metal Film / 0.4W / +- 5% / 250V	10.16	PHI	SFR-25	WA
R 88	100E	Resistor / Metal Film / 0.4W / +- 5% / 250V	10.16	PHI	SFR-25	WA
R 89	22K	Resistor / Metal Film / 0.4W / +- 5% / 250V	10.16	PHI	SFR-25	WA
R 90	3K3	Resistor / Metal Film / 0.4W / +- 5% / 250V	10.16	PHI	SFR-25	WA
R 91	27K	Resistor / Metal Film / 0.4W / +- 5% / 250V	10.16	PHI	SFR-25	WA
R 92	1K	Resistor / Metal Film / 0.4W / +- 5% / 250V	10.16	PHI	SFR-25	WA
R 93	100E	Resistor / Metal Film / 0.4W / +- 5% / 250V	10.16	PHI	SFR-25	WA
R 94	2K2	Resistor / Metal Film / 0.4W / +- 5% / 250V	10.16	PHI	SFR-25	WA
R 95	10E	Resistor / Metal Film / 0.4W / +- 5% / 250V	10.16	PHI	SFR-25	WA
R 96	10E	Resistor / Metal Film / 0.4W / +- 5% / 250V	10.16	PHI	SFR-25	WA
R 97	22K	Resistor / Metal Film / 0.4W / +- 5% / 250V	10.16	PHI	SFR-25	WA
R 98	27K	Resistor / Metal Film / 0.4W / +- 5% / 250V	10.16	PHI	SFR-25	WA
R 99	100E	Resistor / Metal Film / 0.4W / +- 5% / 250V	10.16	PHI	SFR-25	WA
R 100	39K	Resistor / Metal Film / 0.4W / +- 5% / 250V	10.16	PHI	SFR-25	WA
R 101	22K	Resistor / Metal Film / 0.4W / +- 5% / 250V	10.16	PHI	SFR-25	WA
R 102	100E	Resistor / Metal Film / 0.4W / +- 5% / 250V	10.16	PHI	SFR-25	WA
R 103	1K5	Resistor / Metal Film / 0.4W / +- 5% / 250V	10.16	PHI	SFR-25	WA
R 104	10K	Resistor / Metal Film / 0.4W / +- 5% / 250V	10.16	PHI	SFR-25	WA
R 105	3K3	Resistor / Metal Film / 0.4W / +- 5% / 250V	10.16	PHI	SFR-25	WA
R 106	2K2	Resistor / Metal Film / 0.4W / +- 5% / 250V	10.16	PHI	SFR-25	WA
R 107	5M6	Resistor / Metal Film / 0.4W / +- 5% / 250V	10.16	PHI	SFR-25	WA
R 108	100K	Resistor / Metal Film / 0.4W / +- 5% / 250V	10.16	PHI	SFR-25	WA

## COMPONENTEN LIJST

14x SAMPLE STEREO CODER

Jan '98

Comp.	Values	Designation	Pitch	Manu.	Package	Code
R 109	100K	Resistor / Metal Film / 0.4 W / +- 5% / 250V	10.16	PHI	SFR-25	WA
C 1	33PF	Ceramic cond. / -55 to 85 / +- 2% / 100V	2.54	PHI	CERAMIC	680 33P-2.5
C 2	33PF	Ceramic cond. / -55 to 85 / +- 2% / 100V	2.54	PHI	CERAMIC	680 33P-2.5
C 3	1N8	Ceramic cond. / -55 to 85 / +- 2% / 100V	2.54	PHI	CERAMIC	680 1N8-2.5
C 4	33PF	Ceramic cond. / -55 to 85 / +- 2% / 100V	2.54	PHI	CERAMIC	680 33P-2.5
C 5	33PF	Ceramic cond. / -55 to 85 / +- 2% / 100V	2.54	PHI	CERAMIC	680 33P-2.5
C 6	1N8	Ceramic cond. / -55 to 85 / +- 2% / 100V	2.54	PHI	CERAMIC	680 1N8-2.5
C 7	33PF	Ceramic cond. / -55 to 85 / +- 2% / 100V	2.54	PHI	CERAMIC	680 33P-2.5
C 8	33PF	Ceramic cond. / -55 to 85 / +- 2% / 100V	2.54	PHI	CERAMIC	680 33P-2.5
C 9	10PF	Ceramic cond. / -55 to 85 / +- 2% / 100V	2.54	PHI	CERAMIC	680 10P-2.5
C 10	10PF	Ceramic cond. / -55 to 85 / +- 2% / 100V	2.54	PHI	CERAMIC	680 10P-2.5
C 11	100NF	Film cond. / Radial / +- 10% / 63V	5.08	SIE	FILM	KSB U1V63
C 12	100NF	Film cond. / Radial / +- 10% / 63V	5.08	SIE	FILM	KSB U1V63
C 13	100NF	Film cond. / Radial / +- 10% / 63V	5.08	SIE	FILM	KSB U1V63
C 14	100NF	Film cond. / Radial / +- 10% / 63V	5.08	SIE	FILM	KSB U1V63
C 15	47UF	Electrolytic cond. / Radial / +- 20% / 25V	2.54	PHI	BULK	KHL 47UV25
C 16	47UF	Electrolytic cond. / Radial / +- 20% / 25V	2.54	PHI	BULK	KHL 47UV25
C 17	100NF	Film cond. / Radial / +- 10% / 63V	5.08	SIE	FILM	KSB U1V63
C 18	100NF	Film cond. / Radial / +- 10% / 63V	5.08	SIE	FILM	KSB U1V63
C 19	1UF	Film cond. / Radial / +- 10% / 63V	5.08	SIE	FILM	KSB 1UV63
C 20	1UF	Film cond. / Radial / +- 10% / 63V	5.08	SIE	FILM	KSB 1UV63
C 21	47UF	Electrolytic cond. / Radial / +- 20% / 25V	2.54	PHI	BULK	KHL 47UV25
C 22	47UF	Electrolytic cond. / Radial / +- 20% / 25V	2.54	PHI	BULK	KHL 47UV25
C 23	47UF	Electrolytic cond. / Radial / +- 20% / 25V	2.54	PHI	BULK	KHL 47UV25
C 24	47UF	Electrolytic cond. / Radial / +- 20% / 25V	2.54	PHI	BULK	KHL 47UV25
C 25	47UF	Electrolytic cond. / Radial / +- 20% / 25V	2.54	PHI	BULK	KHL 47UV25
C 26	100NF	Film cond. / Radial / +- 10% / 63V	5.08	SIE	FILM	KSB U1V63
C 27	100PF	Ceramic cond. / -55 to 85 / +- 2% / 100V	2.54	PHI	CERAMIC	680 100P-2.5
C 28	220PF	Ceramic cond. / -55 to 85 / +- 2% / 100V	2.54	PHI	CERAMIC	680 220P-2.5
C 29	100PF	Ceramic cond. / -55 to 85 / +- 2% / 100V	2.54	PHI	CERAMIC	680 100P-2.5
C 30	100NF	Film cond. / Radial / +- 10% / 63V	5.08	SIE	FILM	KSB U1V63
C 31	1NF	Ceramic cond. / -55 to 85 / +- 2% / 100V	2.54	PHI	CERAMIC	680 1N-2.5
C 32	68PF	Ceramic cond. / -55 to 85 / +- 2% / 100V	2.54	PHI	CERAMIC	680 68P-2.5
C 33	15PF	Ceramic cond. / -55 to 85 / +- 2% / 100V	2.54	PHI	CERAMIC	680 15P-2.5
C 34	100NF	Film cond. / Radial / +- 10% / 63V	5.08	SIE	FILM	KSB U1V63
C 35	47UF	Electrolytic cond. / Radial / +- 20% / 25V	2.54	PHI	BULK	KHL 47UV25
C 36	100NF	Film cond. / Radial / +- 10% / 63V	5.08	SIE	FILM	KSB U1V63
C 37	100NF	Film cond. / Radial / +- 10% / 63V	5.08	SIE	FILM	KSB U1V63
C 38	100NF	Film cond. / Radial / +- 10% / 63V	5.08	SIE	FILM	KSB U1V63
C 39	1NF	Ceramic cond. / -55 to 85 / +- 2% / 100V	2.54	PHI	CERAMIC	680 1N-2.5
C 40	100NF	Film cond. / Radial / +- 10% / 63V	5.08	SIE	FILM	KSB U1V63
C 41	100NF	Film cond. / Radial / +- 10% / 63V	5.08	SIE	FILM	KSB U1V63
C 42	33NF	Film cond. / Radial / +- 10% / 63V	5.08	SIE	FILM	KSB 33NV63
C 43	4N7	Film cond. / Radial / +- 10% / 63V	5.08	SIE	FILM	KSB 4N7V63
C 44	33NF	Film cond. / Radial / +- 10% / 63V	5.08	SIE	FILM	KSB 33NV63
C 45	33PF	Ceramic cond. / -55 to 85 / +- 2% / 100V	2.54	PHI	CERAMIC	680 33P-2.5
C 46	10PF	Ceramic cond. / -55 to 85 / +- 2% / 100V	2.54	PHI	CERAMIC	680 10P-2.5
C 47	680PF	Ceramic cond. / -55 to 85 / +- 2% / 100V	2.54	PHI	CERAMIC	680 680P-2.5
C 48	18PF	Ceramic cond. / -55 to 85 / +- 2% / 100V	2.54	PHI	CERAMIC	680 18P-2.5
C 49	1NF	Ceramic cond. / -55 to 85 / +- 2% / 100V	2.54	PHI	CERAMIC	680 1N-2.5
C 50	100PF	Ceramic cond. / -55 to 85 / +- 2% / 100V	2.54	PHI	CERAMIC	680 100P-2.5
C 51	330PF	Ceramic cond. / -55 to 85 / +- 2% / 100V	2.54	PHI	CERAMIC	680 330P-2.5
C 52	1N8	Ceramic cond. / -55 to 85 / +- 2% / 100V	2.54	PHI	CERAMIC	680 1N8-2.5



## COMPONENTEN LIJST

14x SAMPLE STEREO CODER

Jan '98

Comp.	Values	Designation	Pitch	Manu.	Package	Code
C 53	390PF	Ceramic cond. / -55 to +85 / +- 2% / 100V	2.54	PHI	CERAMIC	680 390P-2.5
C 54	5P6	Ceramic cond. / -55 to +85 / +- 2% / 100V	5.08	PHI	CERAMIC	681 5P6-5.0
C 55	33PF	Ceramic cond. / -55 to +85 / +- 2% / 100V	2.54	PHI	CERAMIC	680 56P-2.5
C 56	330UF	Electrolytic cond. / Radial / +- 20% / 16V	3.50	PHI	BULK	KHL 330UV16
C 57	330UF	Electrolytic cond. / Radial / +- 20% / 16V	3.50	PHI	BULK	KHL 330UV16
C 58	330UF	Electrolytic cond. / Radial / +- 20% / 16V	3.50	PHI	BULK	KHL 330UV16
C 59	330UF	Electrolytic cond. / Radial / +- 20% / 16V	3.50	PHI	BULK	KHL 330UV16
C 60	100NF	Film cond. / Radial / +- 20% / 63V	5.08	SIE	FILM	KSB U1V63
C 61	100NF	Film cond. / Radial / +- 20% / 63V	5.08	SIE	FILM	KSB U1V63
D 1	1N4148	Diode / 200 mA / 75V	10.16	PHI	DO-35	1N4148PH
D 2	1N4148	Diode / 200 mA / 75V	10.16	PHI	DO-35	1N4148PH
D 3	1N4148	Diode / 200 mA / 75V	10.16	PHI	DO-35	1N4148PH
D 4	1N4148	Diode / 200 mA / 75V	10.16	PHI	DO-35	1N4148PH
D 5	1N4148	Diode / 200 mA / 75V	10.16	PHI	DO-35	1N4148PH
D 6	1N4148	Diode / 200 mA / 75V	10.16	PHI	DO-35	1N4148PH
D 7	1N4148	Diode / 200 mA / 75V	10.16	PHI	DO-35	1N4148PH
D 8	1N4148	Diode / 200 mA / 75V	10.16	PHI	DO-35	1N4148PH
D 9	1N4148	Diode / 200 mA / 75V	7.62	PHI	DO-35	1N4148PH
D 10	1N4148	Diode / 200 mA / 75V	7.62	PHI	DO-35	1N4148PH
D 11	1N4148	Diode / 200 mA / 75V	7.62	PHI	DO-35	1N4148PH
D 12	1N4148	Diode / 200 mA / 75V	7.62	PHI	DO-35	1N4148PH
D 13	1N4148	Diode / 200 mA / 75V	7.62	PHI	DO-35	1N4148PH
D 14	1N4148	Diode / 200 mA / 75V	7.62	PHI	DO-35	1N4148PH
D 15	1N4148	Diode / 200 mA / 75V	7.62	PHI	DO-35	1N4148PH
D 16	1N4148	Diode / 200 mA / 75V	7.62	PHI	DO-35	1N4148PH
D 17	1N4148	Diode / 200 mA / 75V	7.62	PHI	DO-35	1N4148PH
D 18	1N4148	Diode / 200 mA / 75V	7.62	PHI	DO-35	1N4148PH
D 19	1N4148	Diode / 200 mA / 75V	7.62	PHI	DO-35	1N4148PH
D 20	1N4148	Diode / 200 mA / 75V	7.62	PHI	DO-35	1N4148PH
TR 1	BF245C	J-Fet / N-channel / Pt 0.3W / 30V	3.50	PHI	TO-92	BF 245CPH
TR 2	BF245C	J-Fet / N-channel / Pt 0.3W / 30V	3.50	PHI	TO-92	BF 245CPH
TR 3	BF245C	J-Fet / N-channel / Pt 0.3W / 30V	3.50	PHI	TO-92	BF 245CPH
TR 4	BF245C	J-Fet / N-channel / Pt 0.3W / 30V	3.50	PHI	TO-92	BF 245CPH
TR 5	BF245C	J-Fet / N-channel / Pt 0.3W / 30V	3.50	PHI	TO-92	BF 245CPH
TR 6	BF245C	J-Fet / N-channel / Pt 0.3W / 30V	3.50	PHI	TO-92	BF 245CPH
TR 7	BF245C	J-Fet / N-channel / Pt 0.3W / 30V	3.50	PHI	TO-92	BF 245CPH
TR 8	BF245C	J-Fet / N-channel / Pt 0.3W / 30V	3.50	PHI	TO-92	BF 245CPH
TR 9	BC549B	Transistor / NPN / Pt 0.5W / 45V	3.50	PHI	TO-92	BC 549BPH
TR 10	BC549B	Transistor / NPN / Pt 0.5W / 45V	3.50	PHI	TO-92	BC 549BPH
TR 11	BC559B	Transistor / PNP / Pt 0.5W / 45V	3.50	PHI	TO-92	BC 559BPH
TR 12	BC549B	Transistor / NPN / Pt 0.5W / 45V	3.50	PHI	TO-92	BC 549BPH
TR 13	BC549B	Transistor / NPN / Pt 0.5W / 45V	3.50	PHI	TO-92	BC 549BPH
TR 14	BC559B	Transistor / PNP / Pt 0.5W / 45V	3.50	PHI	TO-92	BC 559BPH
TR 15	BF245C	J-Fet / N-channel / Pt 0.3W / 30V	3.50	PHI	TO-92	BF 245CPH
TR 16	BC549B	Transistor / NPN / Pt 0.5W / 45V	3.50	PHI	TO-92	BC 549BPH
TR 17	BC549B	Transistor / NPN / Pt 0.5W / 45V	3.50	PHI	TO-92	BC 549BPH
TR 18	BC549B	Transistor / NPN / Pt 0.5W / 45V	3.50	PHI	TO-92	BC 549BPH
TR 19	BC549B	Transistor / NPN / Pt 0.5W / 45V	3.50	PHI	TO-92	BC 549BPH
TR 20	BC549B	Transistor / NPN / Pt 0.5W / 45V	3.50	PHI	TO-92	BC 549BPH
TR 21	BC559B	Transistor / PNP / Pt 0.5W / 45V	3.50	PHI	TO-92	BC 559BPH
TR 22	BC559B	Transistor / PNP / Pt 0.5W / 45V	3.50	PHI	TO-92	BC 559BPH
TR 23	BC549B	Transistor / NPN / Pt 0.5W / 45V	3.50	PHI	TO-92	BC 549BPH

## COMPONENTEN LIJST

14x SAMPLE STEREO CODER

Jan '98

Comp	Value	Designation	Pitch	Manu	Package	Code
TR 24	BC549C	Transistor / NPN / Pt 0.5W / 45V	3.50		TO-92	BC 549BPH
TR 25	BC549C	Transistor / NPN / Pt 0.5W / 45V	3.50		TO-92	BC 549BPH
TR 26	BC549C	Transistor / NPN / Pt 0.5W / 45V	3.50		TO-92	BC 549BPH
TR 27	BC549C	Transistor / NPN / Pt 0.5W / 45V	3.50		TO-92	BC 549BPH
TR 28	BC549C	Transistor / NPN / Pt 0.5W / 45V	3.50		TO-92	BC 549BPH
TR 29	BC549C	Transistor / NPN / Pt 0.5W / 45V	3.50		TO-92	BC 549BPH
P 1	10K	Single turn Trim. / 0.15W / +- 20% 200V	5.08		10mm AX	IKL 10K
P 2	10K	Single turn Trim. / 0.15W / +- 20% 200V	5.08		10mm AX	IKL 10K
P 3	10K	Single turn Trim. / 0.15W / +- 20% 200V	5.08		10mm AX	IKL 10K
P 4	50K	Single turn Trim. / 0.15W / +- 20% 200V	5.08		10mm AX	IKL 10K
P 5	50K	Single turn Trim. / 0.15W / +- 20% 200V	5.08		10mm AX	IKL 10K
P 6	10K	Single turn Trim. / 0.15W / +- 20% 200V	5.08		10mm AX	IKL 10K
P 7	10K	Single turn Trim. / 0.15W / +- 20% 200V	5.08		10mm AX	IKL 10K
P 8	10K	Single turn Trim. / 0.15W / +- 20% 200V	5.08		10mm AX	IKL 10K
FIL 1	17Khz	Filter unit / Type BLV 5085				WA
FIL 2	17Khz	Filter unit / Type BLV 5085				WA
L 1	390uH	Ferriet Choke / orange, white, brown, gold	12.70	SIE	FERRIET	SW 390uH
L 2	270uH	Ferriet Choke / red, violet, brown, gold	12.70	SIE	FERRIET	SW 270uH
L 3	100uH	Ferriet Choke / brown, black, brown, gold	12.70	SIE	FERRIET	SW 100uH
L 4	1500uH	Ferriet Choke / brown, green, red, gold	12.70	SIE	FERRIET	SW 1500uH
L 5	1500uH	Ferriet Choke / brown, green, red, gold	12.70	SIE	FERRIET	SW 1500uH
L 6	100uH	Ferriet Choke / brown, black, brown, gold	12.70	SIE	FERRIET	SW 100uH
T 1	22PF	Trimmer / 2 to 22 pF / 250V	5.08	PHI	FILM	KT7 22P

Finally all components are here

There could be a measurement fault in te coil values, the colors are 100% ok.

So if you use the colors everything should be ok.

Building this professional stereocoder is at your own risk.

Questions ?

Mail to : [Jeroen@phantomfm.org](mailto:Jeroen@phantomfm.org)

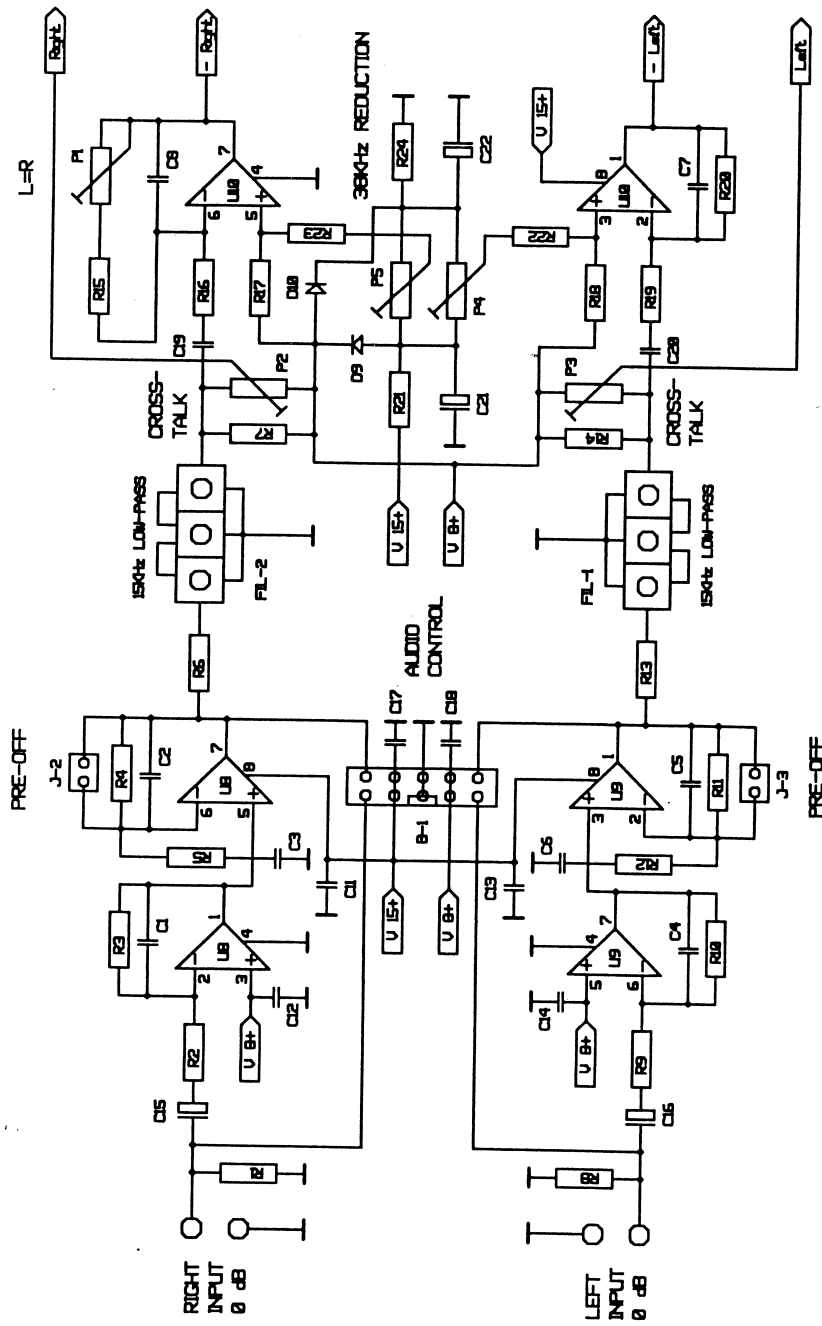
---

## COMPONENTEN LIJST

14x SAMPLE STEREO CODER

Jan '98

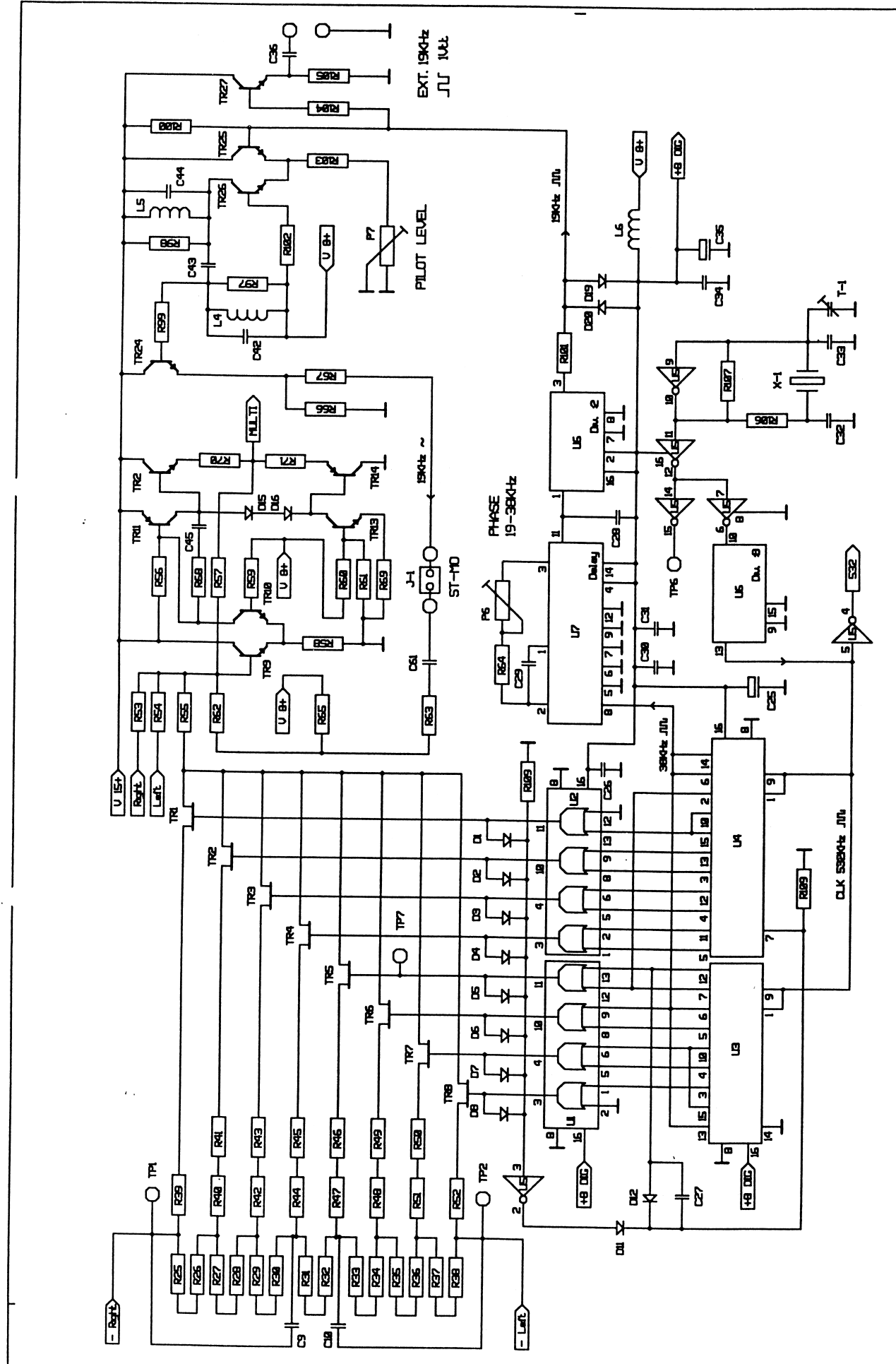
Comp.	Values	Designation	Pitch	Manu.	Package	Code
IC 1	4071	IC / C-MOS / Quad 2-input OR	7.62	PHI	DIL-14	HEF 4071B
IC 2	4071	IC / C-MOS / Quad 2-input OR	7.62	PHI	DIL-14	HEF 4071B
IC 3	4015	IC / C-MOS / Dual 4 bit shift register	7.62	PHI	DIL-16	HEF 4015B
IC 4	4015	IC / C-MOS / Dual 4 bit shift register	7.62	PHI	DIL-16	HEF 4015B
IC 5	4049	IC / C-MOS / Hex inverting buffers	7.62	PHI	DIL-16	HEF 4049B
IC 6	4520	IC / C-MOS / Dual binary counter	7.62	PHI	DIL-16	HEF 4520B
IC 7	4047	IC / C-MOS / Monostable Multivibrator	7.62	PHI	DIL-14	HEF 4047B
IC 8	5532	IC / Linear / Dual op-amp / low noise	7.62	PHI	DIL-8	NE 5532NPH
IC 9	5532	IC / Linear / Dual op-amp / low noise	7.62	PHI	DIL-8	NE 5532NPH
IC 10	5532	IC / Linear / Dual op-amp / low noise	7.62	PHI	DIL-8	NE 5532NPH
TR 30	7808	Stabilisator / Pos. / 1A / Vout 8V	5.08	DIV	TO-220	UC 7808
X 1	4.256MHz	Crystal / 32pf par. / +- 50ppm	5.08	KLO	HC-49U	KLOVE
J 1	SHUNT	Connector Shunt / closed / red	2.54	FIS	5mm	CAB 4-2
J 2	SHUNT	Connector Shunt / closed / red	2.54	FIS	5mm	CAB 4-2
J 3	SHUNT	Connector Shunt / closed / red	2.54	FIS	5mm	CAB 4-2

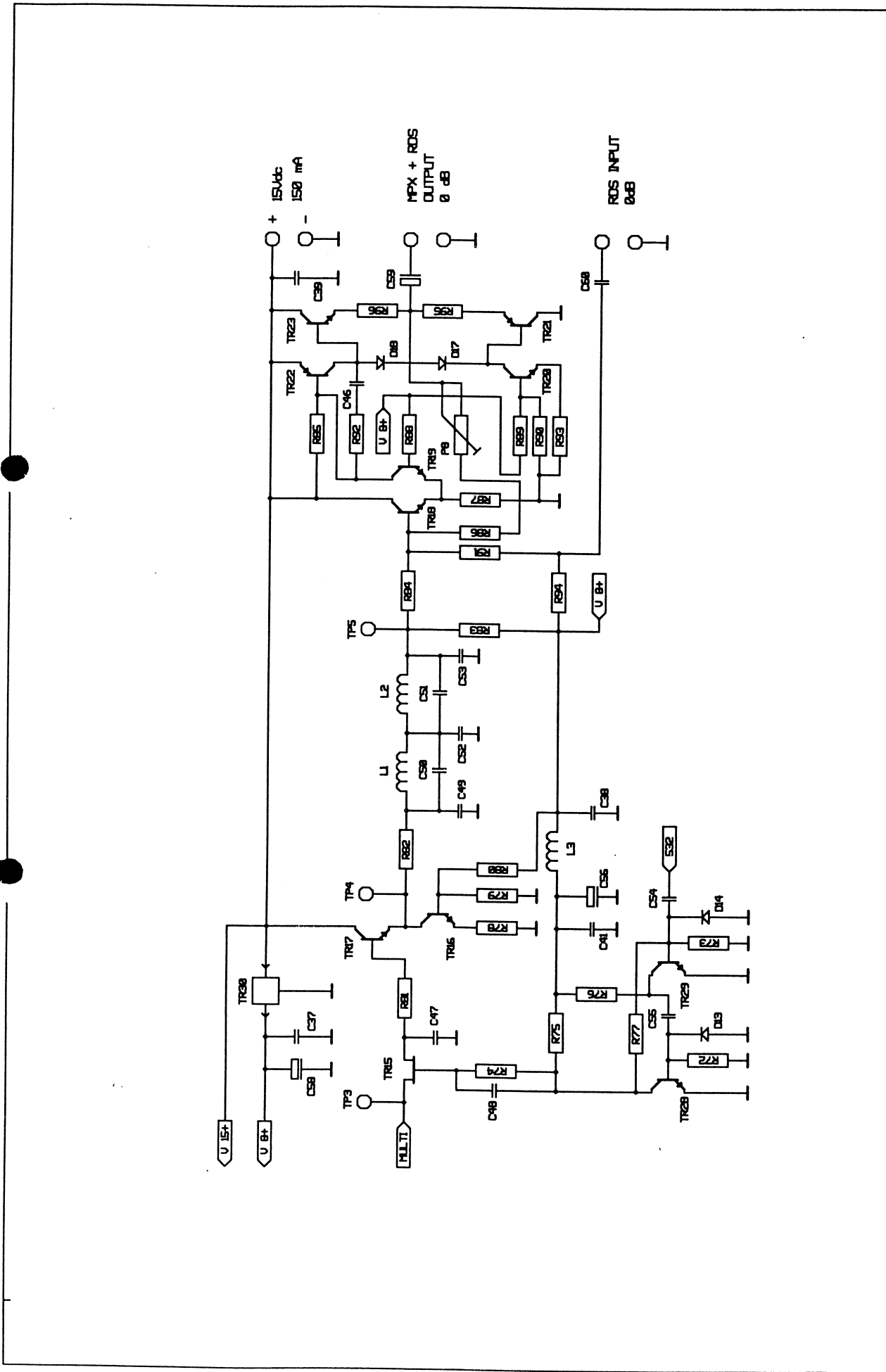


Title SCHEMATIC AUDIO - INPUT

Size A Document Number STEREO - CODER Rev A

Date: Jan. 1998 Page 11 Sheet 1 of 1





Title		SCHEMATIC MIX - OUTPUT	
Size	Document Number	STEREO - CODER	Rev
A			A
Date:	Jan. 1998	Page 13	Sheet 1 of 1